

JVC

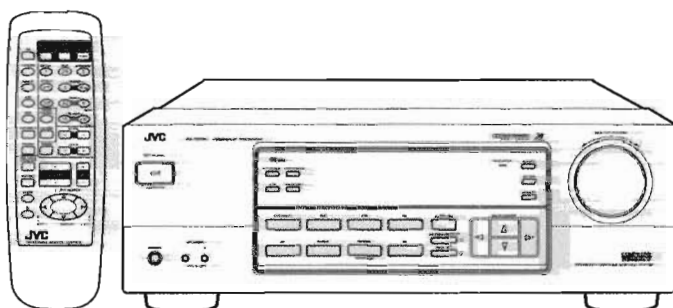
SERVICE MANUAL

FM/MW/LW RECEIVER

RX-5000RBK

Area Suffix

B U.K.
 E Continental Europe
 EN Northern Europe



COMPU LINK
 Remote

3D
 3D-PHONIC

RiDiSi

DOLBY SURROUND
 PRO · LOGIC

Contents

Safety precautions	1-2	Block diagrams	2-16
Instructions	1-3~10	Standard schematic diagrams ..	2-19
Disassembly method	2-1	Printed circuit boards	2-25
Adjustment method	2-4	Parts list	3-1~17
Description of major ICs	2-5		
Internal connections for FL display tube	2-15		

Safety Precautions

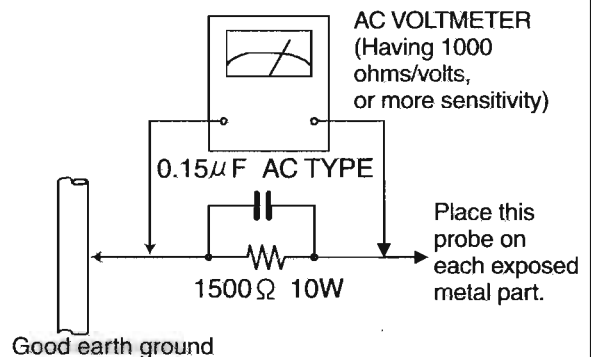
1. This design of this product contains special hardware and many circuits and components specially for safety purposes. For continued protection, no changes should be made to the original design unless authorized in writing by the manufacturer. Replacement parts must be identical to those used in the original circuits. Services should be performed by qualified personnel only.
2. Alterations of the design or circuitry of the product should not be made. Any design alterations of the product should not be made. Any design alterations or additions will void the manufacturer's warranty and will further relieve the manufacture of responsibility for personal injury or property damage resulting therefrom.
3. Many electrical and mechanical parts in the products have special safety-related characteristics. These characteristics are often not evident from visual inspection nor can the protection afforded by them necessarily be obtained by using replacement components rated for higher voltage, wattage, etc. Replacement parts which have these special safety characteristics are identified in the Parts List of Service Manual. Electrical components having such features are identified by shading on the schematics and by (⚠) on the Parts List in the Service Manual. The use of a substitute replacement which does not have the same safety characteristics as the recommended replacement parts shown in the Parts List of Service Manual may create shock, fire, or other hazards.
4. The leads in the products are routed and dressed with ties, clamps, tubings, barriers and the like to be separated from live parts, high temperature parts, moving parts and/or sharp edges for the prevention of electric shock and fire hazard. When service is required, the original lead routing and dress should be observed, and it should be confirmed that they have been returned to normal, after re-assembling.
5. Leakage current check (Electrical shock hazard testing)
 After re-assembling the product, always perform an isolation check on the exposed metal parts of the product (antenna terminals, knobs, metal cabinet, screw heads, headphone jack, control shafts, etc.) to be sure the product is safe to operate without danger of electrical shock. Do not use a line isolation transformer during this check.
 - Plug the AC line cord directly into the AC outlet. Using a "Leakage Current Tester", measure the leakage current from each exposed metal parts of the cabinet, particularly any exposed metal part having a return path to the chassis, to a known good earth ground. Any leakage current must not exceed 0.5mA AC (r.m.s.)

● Alternate check method

Plug the AC line cord directly into the AC outlet. Use an AC voltmeter having, 1,000 ohms per volt or more sensitivity in the following manner. Connect a 1,500Ω 10W resistor paralleled by a 0.15μF AC-type capacitor between an exposed metal part and a known good earth ground.

Measure the AC voltage across the resistor with the AC voltmeter.

Move the resistor connection to each exposed metal part, particularly any exposed metal part having a return path to the chassis, and measure the AC voltage across the resistor. Now, reverse the plug in the AC outlet and repeat each measurement. voltage measured Any must not exceed 0.75 V AC (r.m.s.). This corresponds to 0.5 mA AC (r.m.s.).



Warning

1. This equipment has been designed and manufactured to meet international safety standards.
2. It is the legal responsibility of the repairer to ensure that these safety standards are maintained.
3. Repairs must be made in accordance with the relevant safety standards.
4. It is essential that safety critical components are replaced by approved parts.
5. If mains voltage selector is provided, check setting for local voltage.

⚠ CAUTION Burrs formed during molding may be left over on some parts of the chassis. Therefore, pay attention to such burrs in the case of performing repair of this system.

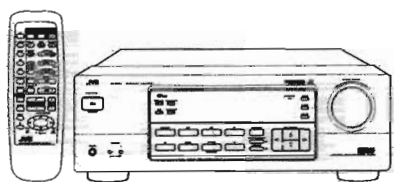
Instructions



FM/MW/LW RECEIVER

UKW/MW/LW-RECEIVER
AMPLI/TUNER FM/PO/GO
FM/MG/LG TUNER/VERSTERKER
RECEPTOR FM/MW/LW
RICEVITORE MF/OM/OL

RX-5000RBK



For Customer Use:
Enter below the Model No. and Serial No., which are located either on the rear, bottom or side of the cabinet. Retain this information for future reference.

Model No: _____
Serial No: _____

LVT0384-004A

Warnings, Cautions and Others/Warnung, Achtung und sonstige Hinweise/ Mises en garde, précautions et indications diverses/Waarschuwingen, voorzorgen en andere mededelingen/ Avisos, precauciones/ Waarschuwingen, voorzorgen en andere mededelingen/Avvisos, precauciones/ u otras notas/ Avvertenze e precauzioni da osservare

IMPORTANT for the U.K.
DO NOT cut off the mains plug from this equipment, if the plug itself is not suitable for the power points in your home or the cable is too short to reach a power point. Please obtain an appropriate safety-approved extension lead or consult your dealer.
BE SURE to replace the fuse only with an identical approved type as originally fitted.
If nonetheless the mains plug is cut off ensure to remove the fuse and dispose of the plug immediately, to avoid a possible shock hazard by inadvertent connection to the mains supply.
If this product is not supplied fitted with a mains plug then follow the instructions given below.
IMPORTANT:
DO NOT make any connection to the terminal which is marked with the letter 'E' or by the safety earth symbol or colour of green or green and yellow.
The wires in the mains lead on this product are coloured in accordance with the following code:
Blue - Neutral
Brown - Live
As these colours may not correspond with the coloured markings identifying the terminals in your plug please refer to the following:
The wire which is coloured blue must be connected to the terminal which is marked with the letter 'N' or coloured black.
The wire which is coloured brown must be connected to the terminal which is marked with the letter 'L' or coloured red.
IF IN DOUBT - CONSULT A COMPETENT ELECTRICIAN.

Caution — **⚠** **U.S. only!**
Disconnect the mains plug to shut the power off completely. The **⚠** switch in any position does not disconnect the mains line. The power can be remote controlled.

Achtung — **⚠** **U.S. only!**
Den Netzstecker abziehen, um die Stromversorgung vollständig zu unterbrechen. Der Schalter **⚠** unterbricht in keiner Stellung die Stromversorgung vollkommen. Die Stromversorgung kann mit der Fernbedienung ein- und ausgeschaltet werden.

Attention — **⚠** **U.S. only!**
Déconnecter le fiche de secteur pour couper complètement le courant. Le commutateur **⚠** ne coupe jamais complètement le ligne de secteur, quelle que soit sa position. Le courant peut être récommandé.

Voorsicht — **⚠** **U.S. only!**
Om de stroomvoorziening geheel uit te schakelen, trek u de stekker uit het stopcontact. Anders zal er altijd nog een geringe hoeveelheid stroom naar het apparaat lopen, ongeacht de stand van de **⚠** schakelaar. U kunt het apparaat ook met de afstandsbediening aan- en uitschakelen.

Precaución — **⚠** **U.S. only!**
Desconectar el cable de alimentación para desactivar la alimentación totalmente. Cualquier que sea la posición de aquete del interruptor **⚠** la alimentación no se cortará completamente. La alimentación puede ser controlada remotamente.

Attenzione — **⚠** **U.S. only!**
Dismontare la spina del cavo di alimentazione dalla presa della rete elettrica per stoppare completamente l'alimentazione. L'interruttore **⚠** in nessuna posizione riesce la linea di alimentazione elettrica prodotta. È possibile il controllo remoto dell'alimentazione.

Per l'Italia:
"Si dichiara che il questo prodotto di marca JVC si conforma alle prescrizioni del Decreto Ministeriale n. 548 del 25/05/95 pubblicato sulla Gazzetta Ufficiale della Repubblica Italiana n. 301 del 29/1/2005."

CAUTION
To reduce the risk of electrical shock, fire, etc.:
1. Do not remove covers, covers or cabinet.
2. Do not expose this appliance to rain or moisture.

VOORZICHTIG
Ter vermindering van gevaar voor brand, elektrische schokken, enz.:
1. Verwijder geen afdekplaten, panelen of de behuizing.
2. Blijft het toestel niet bloot aan regen of vocht.

ACHTUNG
Zur Vermeidung von elektrischen Schlägen, Brandgefahr, usw.:
1. Keine Schrauben lösen oder Abdeckungen entfernen und nicht mit Gehäuse öffnen.
2. Keine Geräte weder Regen noch Feuchtigkeit aussetzen.

PRECAUCIÓN
Para reducir riesgo de choques eléctricos, incendio, etc.:
1. No extraiga los tornillos, no cubiertas ni la caja.
2. No exponga este aparato a la lluvia o a la humedad.

ATTENTION
Afin d'éviter tout risque d'électrocution, d'incendie, etc.:
1. Ne pas enlever les vis ni les panneaux et ne pas ouvrir le coffret de l'appareil.
2. Ne pas exposer l'appareil à la pluie ni à l'humidité.

ATTENZIONE
Per ridurre il rischio di scosse elettriche, incendio, ecc.:
1. Non togliere vis, coperture o la scatola.
2. Non esporre l'apparecchio alle piogge e all'umidità.

G-1

Table of Contents

Parts Identification	2
Getting Started	3
Before Installation	3
Checking the Supplied Accessories	3
Connecting the FM and AM (MW/LW) Antenna	3
Connecting the Speakers	4
Connecting Other Components	5
Connecting the Power Cord	7
Putting Batteries in the Remote Control	7
Basic Operations	8
Turning the Power On and Off (Standby)	8
Selecting the Source to Play	8
Adjusting the Volume	9
Connecting the Power Speakers	9
Muting the Sound	9
Recording a Source	9
Adjusting the Input Signal	10
Adjusting the Power Speaker Output Balance	10
Adjusting the Bass	10
Adjusting the Treble	10
Basic Settings	11
Changing the Source Name	11
Setting Center and Rear Speakers for the DSP Mode	11
Saving the Basic Settings and Adjustments — One Touch Operation	12
Using the Sleep Timer	12
Receiving Radio Broadcasts	13
Tuning to Stations Manually	13
Using Preset Tuning	13
Selecting the FM Reception Mode	14
Using the RDS (Radio Data System) to Receive FM Stations	14
Searching for a Program by RPY Codes	15
Switching to a Broadcast Program of Your Choice	16
Temporarily	16
Using the DSP Modes	17
Available DSP Modes According to the Speaker Arrangement	18
Adjusting the 3D-ENHANC Modes	19
Adjusting the DSP Modes	19
Adjusting the Surround Modes — Dolby Surround and JVC Theater Surround	20
Activating the DSP Modes	21
Using the DVD MULTI Playback Mode	22
Activating the DVD MULTI Playback Mode	22
COMPU LINK Remote Control System	23
Operating Other Components	24
Troubleshooting	26
Specifications	27

Caution: Proper Ventilation
To avoid risk of electric shock and fire and to protect from damage, locate the apparatus as follows:
Front: No obstructions open spacing.
Sides: No obstructions in 10 cm from the sides.
Top: No obstructions in 10 cm from the top.
Back: No obstructions in 15 cm from the back.
Bottom: No obstructions, place on the level surface. In addition, maintain the best possible air circulation as illustrated.

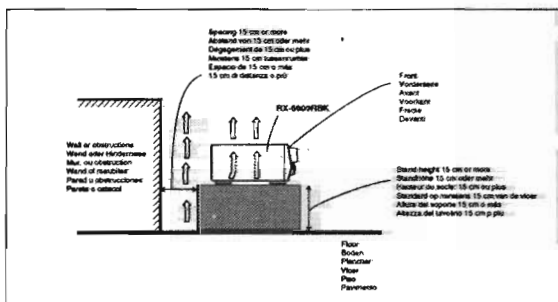
Achtung: Angemessene Ventilation
Stellen Sie das Gerät zur Verhütung von elektrischem Schlag und Feuer und zum Schutz gegen Beschädigung wie folgt auf:
Vorderseite: Offenher Platz ohne Hindernisse.
Seiten: Keine Hindernisse innerhalb 10 cm von den Seiten.
Oberseite: Keine Hindernisse innerhalb 10 cm von der Oberseite.
Rückseite: Keine Hindernisse innerhalb 15 cm von der Rückseite.
Unterseite: Keine Hindernisse. Auf einer ebenen Oberfläche stellen. Zusätzlich die bestmögliche Luftzirkulation wie gezeigt einhalten.

Attenzione: Ventilazione Corretta
Per evitare i rischi di scosse elettriche, incendio e altri danni, collocare l'apparecchio in un'area completa dei requisiti seguenti:
Avanti: Libertà di circolazione dell'aria.
Lato: Libero 10 cm da dispendio laterale.
Dorsale: Libero 15 cm da dispendio posteriore.
Inferiore: Piano su cui collocare l'apparecchio su una superficie piana. Inoltre, mantenere il più possibile la circolazione dell'aria.

Voorsicht: Zorg Voor Goede Ventilatie
Om gevaar voor brand of een elektrische schok te voorkomen, dient u bij opstelling van het apparaat op de volgende punten te letten:
Voorzijde: Volledige ruimte vrij houden.
Zijden: Minstens 10 cm aan vrije ruimte vrij houden.
Bovenkant: Niet te hoog plaatsen; 10 cm open speling.
Achterkant: Minstens 15 cm ruimte achteraan vrij houden.
Onderkant: Op een vlakke oppervlakte plaatsen.
Bovendien moet er rondom voldoende luchtstroom mogelijk is en de afbeelding aangegeven.

Precaución: Ventilación Adecuada
Para evitar el riesgo de choques eléctricos e incendio y para proteger el aparato contra daños:
Líquido el espacio de la siguiente manera:
Frente: Espacio abierto sin obstrucciones.
Lados: 10 cm sin obstrucciones a los lados.
Parte superior: 10 cm sin obstrucciones en la parte superior.
Parte trasera: 15 cm sin obstrucciones en la parte trasera.
Fondo: Sin obstrucciones, coloque sobre una superficie plana.
Además, mantenga la mejor circulación de aire posible como se ilustra.

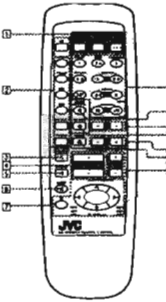
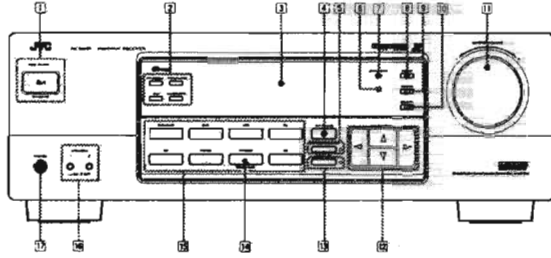
Attenzione: Problemi di Ventilazione
Per evitare il rischio di scosse elettriche ed incendio e proteggere l'unità da danni, installarla nel modo seguente:
Davanti: Nessun ostacolo, spazio libero.
Lati: Nessun ostacolo per almeno 10 cm.
Sopra: Nessun ostacolo per almeno 10 cm.
Fondo: Nessun ostacolo per almeno 15 cm.
Inoltre, mantenere il più possibile la circolazione dell'aria.



English
Deutsch
Français
Nederlands
Español
Italiano

Parts Identification

Become familiar with the buttons and controls on the receiver before use. Refer to the pages in parentheses for details.



Front Panel

- 1 STANDBY/ON button and STANDBY lamp (8)
- 2 RDS operation button (14)
- 3 PTY SEARCH, DISPLAY MODE, BDN, TAPE/NEWS/INFO
- 4 Display (6)
- 5 SURROUND button (19 - 21)
- 6 ONE TOUCH OPERATION buttons and lamp (12)
- 7 Remote sensor (7)
- 8 BASS BOOST lamp (10)
- 9 ADJUST button (10)*
- 10 SETTING button (11)*
- 11 MEMORY button (13)
- 12 MASTER VOLUME control (9)
- 13 MULTI CURSOR Δ/▽/◀/▶ buttons
- 14 INPUT ATT. button and lamp (10)
- 15 SOURCE NAME button (11)
- 16 Source selecting buttons (18)
- 17 DVD, MULTI DVD, VCR, FM*, AM*, TAPE/MD, PHONO, CD
- 18 SPEAKERS 1/2 buttons (9)
- 19 PHONES jack (9)

Remote Control

- 17 OFF buttons (8, 25)
- 18 TV, VCR, AUDIO
- 19 Source selecting buttons (18)
- 20 CD, TAPE/MD, FM/AM, VCR, DVD, DVD MULTI, PHONO
- 21 ONE TOUCH OPERATION buttons (12)
- 22 VOLUME +/- buttons (9)
- 23 MUTE/BS button (9)
- 24 SLEEP button (12)
- 25 Operating buttons for audio/video components (24)
- 26 BLS operation buttons (14)
- 27 PTY SEARCH, PTY off, DISPLAY
- 28 10 keys for selecting preset channels (13, 24)
- 29 10 keys for adjusting sound (19, 24)
- 30 SOUND CONTROL buttons (19, 24)
- 31 TV VOL. +/- buttons (25)
- 32 CD-DESK button (24)
- 33 TV CH +/- buttons (25)
- 34 TV/VIDEO buttons (25)
- 35 VCR CH +/- buttons (25)

IMPORTANT:

To use MULTI CURSOR Δ/▽/◀/▶ on the front panel, What these buttons actually do depends on which function you are trying to adjust. Before using these buttons, select the function by pressing one of the buttons marked with *

Getting Started

This section explains how to connect audio/video components and speakers to the receiver, and how to connect the power supply.

Before Installation

- General**
- Be sure your hands are dry.
 - Turn the power off to all components.
 - Read the manuals supplied with the components you are going to connect.
- Locations**
- Install the receiver in a location that is level and protected from moisture.
 - The temperatures around the receiver must be between -5°C and 35°C (23°F and 95°F).
 - Make sure there is good ventilation around the receiver. Poor ventilation could cause overheating and damage the receiver.
- Handling the receiver**
- Do not insert any metal object into the receiver.
 - Do not disassemble the receiver or remove screws, covers, or cabinet.
 - Do not expose the receiver to rain or moisture.

Checking the Supplied Accessories

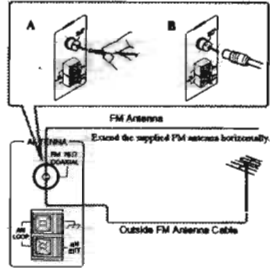
Check to be sure you have all of the following items, which are supplied with the receiver. The number in the parentheses indicates quantity of the pieces supplied.

- Remote Control (1)
- Batteries (2)
- AM (MW/LW) Loop Antenna (1)
- FM Antenna (1)

If anything is missing, contact your dealer immediately.

Connecting the FM and AM (MW, LW) Antennas

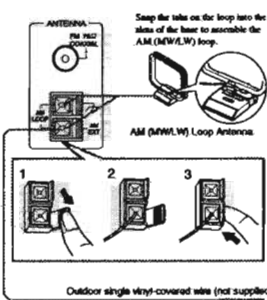
FM Antenna Connections



- A. Using the Supplied FM Antenna
The FM antenna provided can be connected to the FM 75Ω COAXIAL terminal as temporary antenna.
- B. Using the Standard Type Connector (Not Supplied)
A standard type connector (IRC or DIN45325) should be connected to the FM 75Ω COAXIAL terminal.

Note:
If reception is poor, connect the outside antenna. Before attaching a 75 Ω coaxial cable (the one with a round wire going to an outside antenna), disconnect the supplied FM antenna.

AM (MW/LW) Antenna Connections



There the loop until you have the best reception.

Note:

- Make sure the antenna conductors do not touch any other terminals, connecting cords and power cord. This could cause poor reception.
- If reception is poor, connect an outdoor single vinyl-covered wire to the AM EXT terminal. (Keep the AM (MW/LW) loop antenna connected.)

Connecting the Speakers

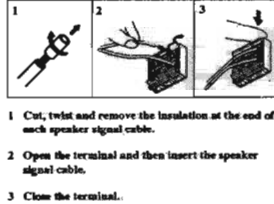
- You can connect the following speakers:
- Two pairs of front speakers to produce normal stereo sound.
 - One pair of rear speakers to enjoy the surround effect.
 - One corner speaker to produce more effective surround effect (to reproduce bass voices).
 - One subwoofer to enhance the bass.

IMPORTANT:
After connecting the speakers listed above, set the speaker setting information properly to obtain the best possible DSP effect. For details, see page 11.

For each speaker (except for a subwoofer), connect the (-) and (+) terminals on the rear panel to the (-) and (+) terminals marked on the speakers. For connecting a subwoofer, see page 5.

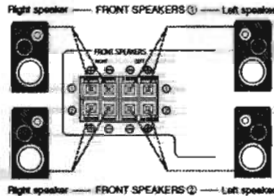
CAUTION:
Use speakers with the SPEAKER IMPEDANCE indicated by the speaker terminals.

Basic connecting procedure



Connecting the front speakers

You can connect two pairs of front speakers (one pair to the FRONT SPEAKERS (+) terminals, and another pair to the FRONT SPEAKERS (-) terminals).

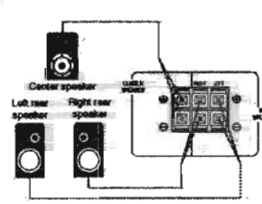


- Right speaker — FRONT SPEAKERS (+) — Left speaker
- Right speaker — FRONT SPEAKERS (-) — Left speaker

English
English

Connecting the rear and center speakers

Connect rear speakers to the REAR SPEAKERS terminals and a center speaker to the CENTER SPEAKER terminals.



Connecting the subwoofer speaker

You can enhance the bass by connecting a subwoofer. Connect the input jack of a powered subwoofer to the SUBWOOFER OUT jack on the rear panel, using a cable with RCA pin plugs.



Connecting Other Components

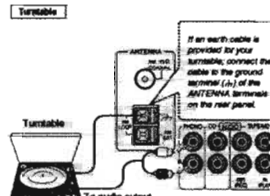
You can connect the following audio/video components to this receiver using cables with RCA pin plugs (not supplied). Refer also to the manuals supplied with your components.

Use the cables with RCA pin plugs (not supplied). Connect the white plug to the audio left jack, and the red plug to the audio right jack.

Audio component connections

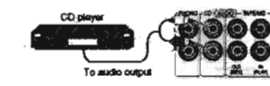
CAUTION:
If you connect a sound-enhancing device (such as a graphic equalizer) between the source components and this receiver, the sound output through the receiver may be distorted.

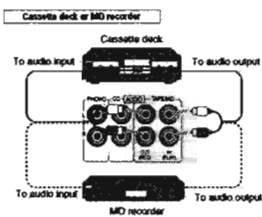
Connecting the rear and center speakers



Note:
Any turntable incorporating a small-output cartridge such as an MC (moving-coil type) must be connected to the receiver through a commercial head amplifier or step-up transformer. Direct connection may result in insufficient volume.

CD player

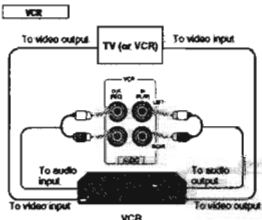




Note:
You can connect either a cassette deck or an MD recorder to the TAPE/MD jacks. When connecting an MD recorder to the TAPE/MD jacks, change the source name, which will be shown on the display when selected as the source, to "MD". See page 11 for details.

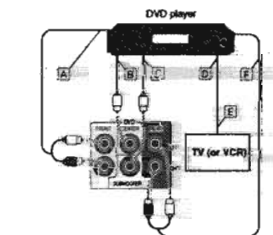
If your audio components have a COMPU LINK-3 function:
See also page 23 for detailed information about the connection and the COMPU LINK-3 remote control system.

Video component connections
You can connect the following video components to this receiver:
• You can reproduce only the sound from the video equipment through this receiver.



- Ⓐ To front left/right channel audio output (or to audio mixed output if necessary)
- Ⓑ To video output
- Ⓒ To video input

• When you connect the DVD player with its analog discrete output (S-1 CH reproduction) jack:



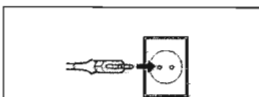
- Ⓐ To front left/right channel audio output
- Ⓑ To center channel audio output
- Ⓒ To subwoofer audio output
- Ⓓ To video output
- Ⓔ To rear left/right channel audio output

English
English

Connecting the Power Cord

Before plugging the receiver into an AC outlet, make sure that all connections have been made.

Plug the power cord into an AC outlet.



Keep the power cord away from the connecting cables and the antenna. The power cord may cause noise or screen interference. We recommend that you use a coaxial cable to connect the antenna, since it is well-shielded against interference.

Note:
The preset settings such as preset channels and sound adjustment may be erased in a few days in the following cases:
• When you unplug the power cord.
• When a power failure occurs.

CAUTIONS:
• Do not touch the power cord with wet hands.
• Do not pull on the power cord to unplug the cord. When unplugging the cord, always grasp the plug so as not to damage the cord.

Putting Batteries in the Remote Control

Before using the remote control, put two supplied batteries first. When using the remote control, aim the remote control directly at the remote sensor on the receiver.

1. On the back of the remote control, remove the battery cover as illustrated.



2. Insert batteries. Make sure to observe the proper polarity: (+) to (+) and (-) to (-).



3. Replace the cover.



If the range or effectiveness of the remote control decreases, replace the batteries. Use two R6P(SUM-3)AAA(15F) type dry-cell batteries.

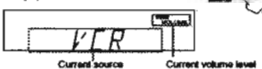
CAUTION:
Follow these procedures to avoid heating or cracking cells:
• Place batteries in the remote control so they match the polarity indicated: (+) to (+) AND (-) to (-).
• Use the correct type of batteries. Batteries that look similar may differ in voltage.
• Always replace both batteries at the same time.
• Do not expose batteries to heat or flame.

Basic Operations

The following operations are commonly used when you play any sound source.

Turning the Power On and Off (standby)

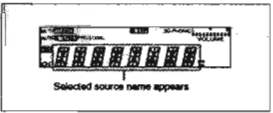
On the front panel:
To turn on the power, press STANDBY ON. The STANDBY lamp goes off. The name of the current source (or station/frequency) appears on the display.



To turn off the power (into standby mode), press STANDBY ON again. The STANDBY lamp lights up. A small amount of power is consumed in standby mode. To turn the power off completely, unplug the AC power cord.

From the remote control:
To turn on the power, press AUDIO ON. The STANDBY lamp goes off. The name of the current source (or station/frequency) appears on the display.

To turn off the power (into standby mode), press AUDIO OFF again. The STANDBY lamp lights up.



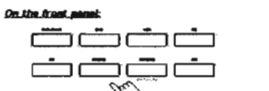
- On the front panel:**
- DVD MULTI Select the DVD player for viewing the digital video disc using the analog discrete output mode (S-1 CH reproduction) on the DVD player.
 - To enjoy the DVD MULTI playback, see page 22.
 - Select the DVD player for viewing the analog digital video disc.
 - Select the video component connected to the VCR jacks.
 - DVD Select as FM broadcast.
 - FM Select as AM (MW/LW) broadcast.
 - AM Select the cassette deck (or the MD recorder).
 - TAPE/MD Select the cassette.
 - PHONO Select the CD player.
 - CD

From the remote control:

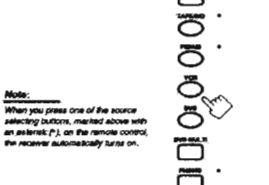
- FM/AM Select as FM or AM (MW/LW) broadcast. Each time you press the button, the band alternates between FM and AM (MW/LW).
- Other buttons function in the same way as the buttons on the front panel.

Selecting the Source to Play

Press one of the source selecting buttons.



From the remote control:



Note:
When you press one of the source selecting buttons, marked above with an asterisk (*), on the remote control, the receiver automatically turns on.

English
English

Adjusting the Volume

On the front panel:
To increase the volume, use MASTER VOLUME clockwise.
To decrease the volume, use it counterclockwise.
• When you turn MASTER VOLUME rapidly, the volume level also changes rapidly.
• When you turn MASTER VOLUME slowly, the volume level also changes slowly.



From the remote control:

To increase the volume, press VOLUME +.
To decrease the volume, press VOLUME -.



CAUTION:
Always set the volume to the minimum before starting any source. If the volume is set at its high level, the sudden blast of sound energy can permanently damage your hearing and/or ruin your speakers.

Note:
The volume level can be adjusted within the range of "0" (minimum) to "90" (maximum).

Selecting the Front Speakers

On the front panel ONLY:
When you have connected two pairs of the front speakers, you can select which to use. Pressing SPEAKERS 1 or SPEAKERS 2 activates the respective set of speakers.



- To use the speakers connected to the FRONT SPEAKERS 1 terminals, press SPEAKERS 1 to set it in the ON position, and press SPEAKERS 2 to set it in the OFF position.
- To use the speakers connected to the FRONT SPEAKERS 2 terminals, press SPEAKERS 2 to set it in the ON position, and press SPEAKERS 1 to set it in the OFF position.
- To use both sets of the speakers, press SPEAKERS 1 to set it in the ON position, and press SPEAKERS 2 to set it in the ON position.
- To use neither set of the speakers, press SPEAKERS 1 and SPEAKERS 2 to set them in the OFF position.

Note:
When only one set of the speakers is connected to either the FRONT SPEAKERS 1 or 2 terminals, do not activate both pairs of the speakers. If you do, the sound comes out of the front speakers.

Listening only with headphones

1. Connect a pair of headphones to the PHONES jack on the front panel.
2. Press SPEAKERS 1 and SPEAKERS 2 to set them in the OFF position.

CAUTION:
Be sure to turn down the volume before connecting or putting on headphones, as high volume can damage both the headphones and your hearing.

Note:
You cannot shut off the sound through the other speakers using the SPEAKERS 1 and 2 buttons.

Muting the Sound

From the remote control ONLY:

Press MUTING to mute the sound through all speakers and headphones connected. "MUTING" appears on the display and the volume turns off (the volume level indicator goes off).



- To restore the sound, press MUTING again.
- Turning MASTER VOLUME or pressing VOLUME +/- also restores the sound.

Recording a Source

You can record any source playing through the receiver to a cassette deck (or an MD recorder) connected to the TAPE/MD jacks and the VCR connected to the VCR jacks at the same time.

While recording, you can listen to the selected sound source at whatever sound level you like, without affecting the sound levels of the recording.

Note:
The output volume level, tone adjustment (see page 10), Bass Boost (see page 10) and DSP mode (see page 17) cannot affect the recording.

IMPORTANT:
Before recording, turn off the DVD MULTI playback mode.

Attenuating the Input Signal

When the input level of the playing source is too high, the sounds will be distorted. If this happens, you need to attenuate the input signal level to prevent the sound distortion.

On the front panel ONLY:
Press INPUT ATT, so that the lamp next to the button lights up.
• Each time you press the button, the Input Attenuation mode turns on or off.

Note:
When selecting "OVERALL" as the source, the effect only applies to front left and right channel signals.

Adjusting the Front Speaker Output Balance

If the sounds you hear from the front right and left speakers are unequal, you can adjust the speaker output balance.

Before you start, remember...
• There is a time limit in doing the following steps. If the setting is canceled before you finish, start from step 1 again.

On the front panel ONLY:
1. Press ADJUST so that MULTI CURSOR Δ / ▽ work for adjusting the sound.

2. Press MULTI CURSOR Δ / ▽ repeatedly until "BALANCE" appears on the display.

3. Press MULTI CURSOR < / > to adjust the balance.
• Pressing < decreases the right channel output.
• Pressing > increases the left channel output.

Reinforcing the Bass

With this Bass Boost function, you can boost the bass level.

Before you start, remember...
• There is a time limit in doing the following steps. If the setting is canceled before you finish, start from step 1 again.

On the front panel ONLY:

1. Press ADJUST so that MULTI CURSOR Δ / ▽ work for adjusting the sound.

2. Press MULTI CURSOR Δ / ▽ repeatedly until "B-BOOST" appears on the display.

3. Press MULTI CURSOR < / > to switch this function "ON" or "OFF."
• When this function is switched "ON", the BASS BOOST lamp on the front panel lights up.

Note:
The Bass Boost function affects the front speaker sounds only.

Adjusting the Tone

You can adjust the treble and bass sounds as you like.

Before you start, remember...
• There is a time limit in doing the following steps. If the setting is canceled before you finish, start from step 1 again.

On the front panel ONLY:

1. Press ADJUST so that MULTI CURSOR Δ / ▽ work for adjusting the sound.

2. Press MULTI CURSOR Δ / ▽ repeatedly until "BASS" or "TREBLE" appears on the display.
• Select "BASS" to adjust the bass sound level.
• Select "TREBLE" to adjust the treble sound level.

3. Press MULTI CURSOR < / > to adjust the bass or treble sound level within the range of -10 to +10.
• Each time you press the button, the sound level changes by 2 steps.

Basic Settings

Some of the following settings are required after connecting and positioning your speakers in your listening room, while others will make operations easier.

Changing the Source Name

When you have connected an MD recorder to the TAPE/MD jacks on the rear panel, change the source name shown on the display when you select the MD recorder as the source.

On the front panel ONLY:

1. Press TAPE/MD.
• Make sure "TAPE" appears on the display.
2. Press and hold SOURCE NAME (the same button as TAPE/MD) until "MD" appears on the display.

To change the source name from "MD" to "TAPE", repeat the same procedure above (in step 1), make sure "TMR" appears on the display.
Note:
Without changing the source name, you can still use the connected components; however, there may be some inconvenience.
"TAPE" will appear on the display when you select the MD recorder.
You cannot use the COMPS (LDC remote control system) (see page 25) to operate the MD recorder.

Setting Center and Rear Speakers for the DSP Modes

To obtain the best possible surround sound of the DSP (Digital Signal Processor) modes (see page 11), you have to register the information about the speaker arrangement after all connections are complete.

Center Speaker Setting:
Registers the center speaker size.

Before you start, remember...
• There is a time limit in doing the following steps. If the setting is canceled before you finish, start from step 1 again.

On the front panel ONLY:

1. Press SETTING so that MULTI CURSOR Δ / ▽ work for setting the center speaker size.

2. Press MULTI CURSOR Δ / ▽ repeatedly until "CNTR SPK" (Center Speaker) appears on the display.

• Pressing < decreases the speaker size.
• Pressing > increases the speaker size.

3. Press MULTI CURSOR < / > to select your center speaker size.
LARGE → SMALL → NO

LARGE: Select this mode when the size of the center speaker is the same as that of the front speakers.
SMALL: Select this mode when the size of the center speaker is smaller than that of the front speakers.
NO: Select this mode when you do not use a center speaker.

Rear Speaker Setting

Register whether you have connected the rear speakers or not.
Before you start, remember...
• There is a time limit in doing the following steps. If the setting is canceled before you finish, start from step 1 again.

On the remote control ONLY:

1. Press SETTING so that MULTI CURSOR Δ / ▽ work for setting the rear speaker information.

2. Press MULTI CURSOR Δ / ▽ repeatedly until "REAR SPK" (Rear Speaker) appears on the display.

3. Press MULTI CURSOR < / > to register whether you have connected the rear speakers.
YES → NO

YES: Select this mode when you use rear speakers.
NO: Select this mode when you do not use rear speakers.

Note:
When you change your speakers, you need to register the information about the speakers again.

Delay Time Setting

Register the delay time of the sound from the rear speakers, comparing the sound from the front speakers.

Before you start, remember...
• There is a time limit in doing the following steps. If the setting is canceled before you finish, start from step 1 again.
• You can adjust the delay time only when you have connected the rear speakers and have set "REAR SPK" to "YES" (see above).

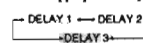
• Delay time setting is only valid for "PROLOGIC" (see page 11).

On the front panel:

1. Press SETTING so that MULTI CURSOR Δ / ▽ work for setting the delay time.

2. Press MULTI CURSOR Δ / ▽ repeatedly until "-DELAY +" appears on the display.

3. Press MULTI CURSOR < / > to select an appropriate delay time.



DELAY 1: Select this mode when the distance from you to your rear speakers is almost equal to that of the front speakers.
DELAY 2: Select this mode when the distance from you to your rear speakers is greater than that of the front speakers.
DELAY 3: Select this mode when the distance from you to your rear speakers is less than that of the front speakers.

From the remote control:

1. Press SOUND CONTROL.
2. Press SURROUND repeatedly until "PROLOGIC" appears on the display.
3. Press DELAY repeatedly until an appropriate delay time appears on the display.

Storing the Basic Settings and Adjustments - One Touch Operation

IRC's One Touch Operation function is used to assign and store different sound settings for each different playing source. By using this function, you do not have to change the settings every time you change the source. The sound settings for the newly selected source are automatically recalled.

- The following can be stored for each source:
- Volume level (see page 9)
 - Input Amenuator (see page 10)
 - Balance (see page 10)
 - Bass Boost (see page 10)
 - Tone adjustments (see page 10)
 - DSP modes
 - 3D PHONIC mode settings (see page 19)
 - DAP mode settings (see page 19)
 - Surround mode settings (see page 20)
 - DVD MULTI playback mode settings (see page 22)

To store the sound settings:

1. Press ONE TOUCH OPERATION.
The ONE TOUCH OPERATION lamp lights up. Use the per-doubly-assigned settings are recalled.

2. Adjust the sound using the functions listed to the left.
The newly adjusted settings are memorized.

To recall the sound settings:
With the ONE TOUCH OPERATION lamp lit, the settings for the currently selected source are recalled, when the source is selected.

To cancel the One Touch Operation function:
Press ONE TOUCH OPERATION so that the lamp goes off. (Even though the One Touch Operation function is canceled, the recalled sound effects remain active.)

Note:
• If the source is FM or AM (MWLW), you can assign a different setting for each band.
• The DSP modes and DVD MULTI playback mode cannot be used at the same time.

Using the Sleep Timer

Using the Sleep Timer, you can fall asleep to music and know the receiver will turn off by itself rather than play all night.

From the remote control ONLY:

Press SLEEP repeatedly.
The SLEEP indicator lights up on the display, and the shut-off time changes as follows (in minutes):
10 → 20 → 30 → 40 → 50 → 60 → 70 → 80
When the shut-off time reaches 0 (Canceled), the receiver turns off automatically.

To check or change the time remaining until the shut-off time:
Press SLEEP once.
The remaining time until the shut-off time appears in minutes.
• To change the shut-off time, press SLEEP repeatedly.

To cancel the Sleep Timer:
Press SLEEP repeatedly until "0" appears on the display. (The SLEEP indicator goes off.)
Turning off the power also cancels the Sleep Timer.

Receiving Radio Broadcasts

You can browse through all the stations or use the preset function to go immediately to a particular station.

Tuning in Stations Manually

On the front panel ONLY:

1. Press FM or AM.
The last station of the selected band is used as MULTI CURSOR Δ / ▽ < / > can be used for operating the tuner.

2. Press MULTI CURSOR Δ / ▽ repeatedly until "TUNING" appears on the display.

3. Press MULTI CURSOR < / > until you find the frequency you want.
• Pressing < decreases the frequency.
• Pressing > increases the frequency.

Note:
• When you hold MULTI CURSOR Δ / ▽ in step 3, the frequency sweep changes until a station is tuned in.
• When a station of sufficient signal strength is tuned in, the TUNED indicator lights up on the display.
When an FM stereo program is received, the STEREO indicator starts to flash.

Using Preset Tuning

Once a station is assigned to a channel number, the station can be quickly recalled. You can preset up to 30 FM and 15 AM (MWLW) stations.
In order to use the special functions available for RDS broadcasts, you need to preset the RDS stations. Both PTY Search and EON functions (see pages 15 and 16) are applicable only to preset stations.

To store the preset stations:
Before you start, remember...
• There is a time limit in doing the following steps. If the setting is canceled before you finish, start from step 1 again.

On the front panel ONLY:

1. Tune in the station you want to preset (see above). If you want to store the RDS reception mode for this station, select the FM reception mode you want. See "Selecting the FM Reception Mode."
2. Press MEMORY.

"MCH" appears and the channel number position starts flashing on the display for about 5 seconds.

3. Press MULTI CURSOR < / > to select a channel number while the channel number position is flashing.

Note:
• You can use the 10 keys on the remote control to select the preset number. When using the 10 keys, be sure that they are activated for the band, not for the CD and others. (See page 24.)

4. Press MEMORY again while the selected channel number is flashing on the display.
The selected channel number stops flashing. The station is assigned to the selected channel number.

5. Repeat steps 1 to 4 until you store all the stations you want.

To erase a stored preset station:
Starting a new station on a used number erases the previously stored one.

To tune in a preset station:

On the front panel:
1. Press FM or AM.
The last station of the selected band is used as MULTI CURSOR Δ / ▽ < / > can be used for operating the tuner.

2. Press MULTI CURSOR Δ / ▽ repeatedly until "PRESET+" appears on the display.

3. Press MULTI CURSOR < / > to select a preset channel station.
• Pressing < decreases the preset channel number.
• Pressing > increases the preset channel number.

From the remote control:
1. Press FM/AM.
The last station is tuned in.
• Each time you press the button, the band alternates between FM and AM (MWLW).

2. Press the 10 keys to select a preset channel number.
• For channel number 5, press 5.
• For channel number 15, press +10 then 5.
• For channel number 20, press +10 then 10.
• For channel number 30, press +10, +10, then 10.

Note:
When you use the 10 keys on the remote control, be sure that they are activated for the band, not for the CD and others. (See page 24.)

Selecting the FM Reception Mode

When an FM stereo broadcast is hard to receive or noisy
You can change the FM reception mode while receiving an FM broadcast.

On the front panel ONLY:

1. Press **FM**. The last station of the selected band is stored.
MULTI CURSOR Δ / ∇ / \leftarrow / \rightarrow can be now used for operating the tuner.
2. Press **MULTI CURSOR Δ / ∇** repeatedly until "FM MODE" appears on the display.
3. Press **MULTI CURSOR \leftarrow / \rightarrow** to switch the FM reception "FM AUTO" or "FM MONO."

FM AUTO: When a program is broadcasted in stereo, you will hear stereo sound, when in mono, you will hear mono sound. This mode is also useful to suppress static noise between stations. The MUTE/AUTO indicator lights up on the display.

FM MONO: Reception will be improved although you will lose the stereo effect. In this mode, you will hear stereo while using into the station. The MUTE/AUTO indicator goes off on the display.

Using the RDS (Radio Data System) to Receive FM Stations

RDS allows FM stations to send an additional signal along with their regular program signals. For example, the stations send their station names, as well as information about what type of program they broadcast, such as news or music, etc.

When tuned to an FM station which provides the RDS service, the RDS indicator lights up on the display.

With the receiver, you can receive the following types of RDS signals.

- PS (Program Service): shows commonly known station names
- PTY (Program Type): shows types of broadcast programs
- RT (Radio Text): shows text messages the station sends
- EON (Enhanced Other Networks): see page 16.

Notes:

- RDS is not available for AM (MW/LW) broadcasts.
- RDS may not operate correctly if the station used is not transmitting RDS signal properly or if the signal strength is weak.

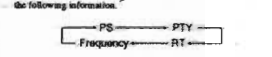
What Information Can RDS Signals Provide?

You can see the RDS signals the station sends on the display.

To show the RDS signals, Press **DISPLAY MODE** on the front panel (or **DISPLAY** on the remote control) while listening to an FM station.



Each time you press the button, the display changes to show you the following information:



PS (Program Service): While searching "PS" appears and then the station name will be displayed. "NO PS" appears if no signal is sent.

PTY (Program Type): While searching "PTY" appears and then the type of the broadcast program will be displayed. "NO PTY" appears if no signal is sent.

RT (Radio Text): While searching "RT" appears and then text messages the station sends will be displayed. "NO RT" appears if no signal is sent.

Frequency: Station frequency (non-RDS service)

About characters shown on the display: When the display shows PS, PTY, or RT signals, the following characters are used:

- The display uses different size upper case and lower case letters and always uses upper case letters.
- The display cannot show accented letters. "A" for instance, may stand for accented "Å" like "Å, Å, Å, Å, Å, and Å."

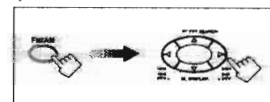
Notes:

- When pressing **DISPLAY** on the remote control, make sure that you have selected FM station using the remote control. If not, the **DISPLAY** button does not work for tuner operation. (Pressing **FM/AM** activates the remote control for tuner operation.)
- If searching finishes at once, "PS", "PTY", and "RT" will not appear on the display.

Searching for a Program by PTY Codes

One of the advantages of the RDS service is that you can locate a particular kind of program from the preset channels (see page 13) by specifying the PTY codes.

- Tuner searching may take during the process, press **PTY SEARCH** while searching.
- When pressing the buttons on the remote control, make sure that you have selected the FM station using the remote control. If not, the RDS operation buttons do not work for RDS operation. (Pressing **FM/AM** activates the remote control for RDS operation.)



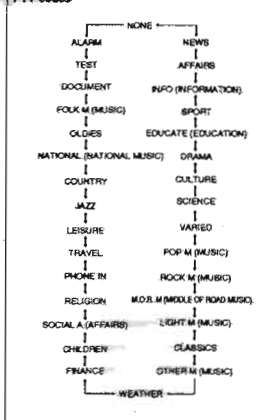
To search for a program using the PTY codes

- Before you start, remember...
- The PTY Search is only applicable to preset stations only.
- There is a time limit in doing the following steps. If the setting is cancelled before you finish, start from step 1 again.

1. Press **PTY SEARCH** while listening to an FM station. "PTY" and "SELECT" appears on the display.
2. Press and hold **MULTI CURSOR \leftarrow / \rightarrow** on the front panel (or **PTY SELECT \leftarrow / \rightarrow** on the remote control) until the PTY code you want appears on the display, while "PTY" and "SELECT" are flashing alternately. The display gives you the PTY codes described on the right.
3. Press **PTY SEARCH** again, while the PTY code selected in the previous step is still on the display. While searching, "SEARCH" and the selected PTY code alternate on the display. The receiver searches 30 preset FM stations, stops when it finds the one you have selected, and stores in that station.

To continue searching after the first step, Press **PTY SEARCH** again while the indications on the display are flashing. If no program is found, "NOTFOUND" appears on the display.

PTY codes



When an emergency broadcast (ALARM signal) is sent from an FM station:

- The receiver automatically tunes in the station except in the following cases:
 - When you are listening to non-RDS stations (all AM — MW/LW and some FM stations).
 - When the receiver is in standby mode.
- While receiving an emergency broadcast, "ALARM" appears on the display.
- The TEST signal is used for employment test — whether it can receive the ALARM signal correctly. The TEST signal makes the receiver work the same way as the ALARM signal does. If the TEST signal is received, the receiver automatically switches to the station broadcasting the TEST signal. While receiving the test signal, "TEST" appears on the display.

Switching to a Broadcast Program of Your Choice Temporarily

Another convenient RDS service is called "EON (Enhanced Other Networks)". The EON indicator lights up while receiving a station with the EON code.

This allows the receiver to switch temporarily to a broadcast program of your choice (NEWS, TA, and INFO) from a different station except in the following cases:

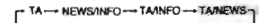
- When you are listening to non-RDS stations (all AM — MW/LW and some FM stations).
- When the last received FM station is a non-RDS station.
- When the receiver is in standby mode.

Before you start, remember...

- The EON function is only applicable to preset stations only.

On the front panel ONLY:

1. Press **EON** so that the last selected program type appears on the display. The receiver enters EON standby mode. When the receiver is in EON standby mode, the receiver is ready to receive the EON data (TA/NEWS/DPO) you select.
2. Press **TA/NEWS/INFO** until the program type you want appears on the display. Each time you press the button, the display changes to show the following:



TA: Traffic Announcements in your area.

NEWS: News.

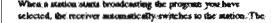
INFO: Program the purpose of which is to impart advice in the widest sense.

CASE 1 If there is no station broadcasting the program you have selected

The receiver continues playing the current source (all sources except AM — MW/LW).



When a station starts broadcasting the program you have selected, the receiver automatically switches to the station. The indicator of received PTY code starts flashing.



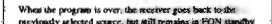
When the program is over, the receiver goes back to the previously selected source, but still remains in EON standby mode. The indicator of received PTY code stops flashing and remains lit.

CASE 2 If there is a station broadcasting the program you have selected

The receiver changes the source (all sources except AM — MW/LW), and tunes in the station. The indicator of received PTY code starts flashing.



When the program is over, the receiver goes back to the previously selected source, but still remains in EON standby mode. The indicator of received PTY code stops flashing and remains lit.



When the program is over, the indicator of received PTY code stops flashing and remains lit, but the receiver remains in EON standby mode.



To stop listening to the program selected by EON, Press **EON** so that the program type (TA/NEWS/INFO) indicator goes off from the display. The receiver enters EON-off mode and goes back to the previously selected source.

- Each time you press EON, the EON mode alternates between standby mode and off mode.

Notes:

- EON data sent from some stations may not be compatible with this receiver.
- In EON standby mode, if you change the source to AM (NEWS/RT) or if you carry out synchronous recording (see page 23), EON standby mode is cancelled temporarily. The receiver goes back to EON standby mode again when you have finished that operation.
- While listening to a program transmitted by the EON function, you cannot use the source selecting buttons and PTY SEARCH button.

CAUTION:

When the source alternates alternately between the station tuned in by the EON function and the currently selected source, press EON to cancel the EON function.

If you do not press the button, the currently tuned station is received finally, and the indication of the EON program type flashing on the display disappears.

Using the DSP Modes

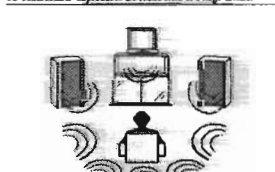
The built-in Surround Processor provides three types of the DSP (Digital Signal Processor) mode — 3D-PROLOG mode, DAP (Digital Acoustic Processor) mode and Surround mode (Dolby Pro Logic and JVC Theater Surround).

3D-PROLOG mode

The 3D-PROLOG mode gives you such a nearly surround effect as it is reproduced through the Dolby Surround decoder, which is widely used to reproduce sounds with a feeling of movement in the three-dimensional in stereo theaters. The 3D-PROLOG mode is the result of research on sound localization technology carried out at JVC for many years. This mode can be used when two front speakers are connected to this receiver (without respect to the rear/center speaker connection). You can select either 3D ACTION or 3D THEATER to your preference.

3D ACTION: Best for action and war movies — when the action is fast and explosive.

3D THEATER: Reproduces the sound field of a large theater.



DAP mode

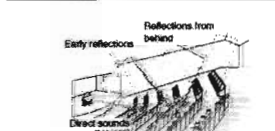
The sound heard in a concert hall or club consists of direct sound and indirect sound — early reflections and reflections from behind. Direct sounds reach the listener directly without any reflection. On the other hand, indirect sounds are delayed by the distance of the ceiling and walls. These direct sound and indirect sounds are the most important elements of the acoustic surround effects. The DAP mode can create these important elements, and gives you a real "being there" feeling. This mode can be used when the front speakers are connected to this receiver (without respect to the rear/center speaker connection). You can select one of the following to your preference.

DANCE CLUB: Gives a dancing club feel.

LEVEE CLUB: Gives the feeling of a live music club with a live ceiling.

HALL: Gives clear vocal and the feeling of a concert hall.

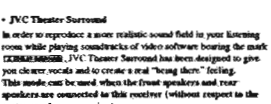
PAVILION: Gives the spacious feeling of a pavilion with a high ceiling.



Surround Modes

With this receiver, you can use two types of the Surround modes.

- Dolby Surround:** Dolby Surround has been developed to reproduce the important elements of the acoustic surround at home. To watch the soundtracks of video software bearing the mark **DOLBY DIGITAL** which includes the same recorded surround information as found in Dolby Stereo films, the receiver can provide you with Dolby Surround decoder. There are two types of Dolby Surround — "Pro Logic" and "3 Stereo". "Pro Logic" can be used when the front speakers and rear speakers are connected to this receiver (regardless of the center speaker connection). On the other hand, "3 Stereo" can be used when the rear speakers are not connected (center speaker must be connected).
- JVC Theater Surround** In order to reproduce a more realistic sound field in your listening room while playing soundtracks of video software bearing the mark **DOLBY DIGITAL**, JVC Theater Surround has been designed to give you clearer vocals and to create a real "being there" feeling. This mode can be used when the front speakers and rear speakers are connected to this receiver (without respect to the center speaker connection).



Notes:

- The DSP modes have no effect on monaural sources.
- The DSP modes cannot be used for recording.
- When you select "DOLBY" as the source to play, you cannot select or adjust the DSP modes.

IMPORTANT:

Before recording, turn off the DVD MULTI playback mode.

As for the DVD MULTI playback mode, see page 22.

Manufactured under license from Dolby Laboratories Licensing Corporation. "Dolby," the double-D symbol, and "Pro Logic" are trademarks of Dolby Laboratories Licensing Corporation.

Available DSP Modes According to the Speaker Arrangement

Available DSP modes will vary depending on how many speakers are used with this receiver. Make sure that you have set the speaker information correctly (see page 11).

Speaker arrangements	Available DSP modes
	Each time you press SURROUND, the DSP modes change as follows: • 3D THEATER • DANCE C (DANCE CLUB) • LIVE C (LIVE CLUB) • HALL • PAVILION • 3D ACTION • OFF (DSP mode is canceled)
	Each time you press SURROUND, the DSP modes change as follows: • 3 STEREO • 3D THEATER • DANCE C (DANCE CLUB) • LIVE C (LIVE CLUB) • HALL • PAVILION • 3D ACTION • OFF (DSP mode is canceled)
	Each time you press SURROUND, the DSP modes change as follows: • PRO LOGIC • THEATER • DANCE C (DANCE CLUB) • LIVE C (LIVE CLUB) • HALL • PAVILION • 3D ACTION • OFF (DSP mode is canceled)
	Each time you press SURROUND, the DSP modes change as follows: • PRO LOGIC • THEATER • DANCE C (DANCE CLUB) • LIVE C (LIVE CLUB) • HALL • PAVILION • 3D ACTION • OFF (DSP mode is canceled)

English
English

Adjusting the 3D-PHONIC Modes

Before you start, remember...
 • Make sure that you have set the speaker information correctly (see page 11).
 • There is a time limit in doing the following steps. If the setting is canceled before you finish, start from step 1 again.

- On the front panel:**
- Press SURROUND repeatedly until "3D ACTION" or "3D THEATR" appears on the display. The 3D-PHONIC and PRO LOGIC indicators also light up on the display.
 - Press ADJUST so that MULTI CURSOR $\Delta / \nabla / \leftarrow / \rightarrow$ work for adjusting the surround setting.
 - Press MULTI CURSOR Δ / ∇ repeatedly until "EFFECT 1" appears on the display.
 - Press MULTI CURSOR \leftarrow / \rightarrow to select an effect level you want. Each time you press the button, the effect level changes as follows:
 EFFECT 1 → EFFECT 2 → EFFECT 3 → EFFECT 4 → EFFECT 5 → EFFECT 4 → EFFECT 3 → EFFECT 2 → EFFECT 1
 As the number increases, the selected 3D-PHONIC mode becomes stronger.

- From the remote control:**
- Press SOUND CONTROL. The 10 keys are activated for sound adjustments.
 - Press SURROUND repeatedly until "3D ACTION" or "3D THEATR," appears on the display. The 3D-PHONIC and PRO LOGIC indicators also light up on the display.
 - Press EFFECT to select an effect level you want. Each time you press the button, the effect level changes as follows:
 EFFECT 1 → EFFECT 2 → EFFECT 3 → EFFECT 4 → EFFECT 5 → EFFECT 4 → EFFECT 3 → EFFECT 2 → EFFECT 1
 As the number increases, the selected 3D-PHONIC mode becomes stronger.

Adjusting the DAP Modes

Before you start, remember...
 • Make sure that you have set the speaker information correctly (see page 11).
 • There is a time limit in doing the following steps. If the setting is canceled before you finish, start from step 1 again.
 • You can only adjust the rear speaker output level when you have connected the rear speakers and have set "REAR SPK" to "YES." See page 11.

- On the front panel:**
- Press SURROUND repeatedly until the DAP mode — DANCE CLUB, LIVE CLUB, HALL, or PAVILION — appears on the display. The DAP indicator also lights up on the display.
 - Press ADJUST so that MULTI CURSOR $\Delta / \nabla / \leftarrow / \rightarrow$ work for adjusting the DSP setting.
 - Press MULTI CURSOR Δ / ∇ repeatedly until "REAR +" appears on the display.
 - Press MULTI CURSOR \leftarrow / \rightarrow to adjust the rear speaker output level (from -10 to +10).
 Note: You cannot adjust the left and right rear speaker output levels separately.

- Press MULTI CURSOR Δ / ∇ repeatedly until "EFFECT 1" appears on the display.
- Press MULTI CURSOR \leftarrow / \rightarrow to select an effect level you want. Each time you press the button, the effect level changes as follows:
 EFFECT 1 → EFFECT 2 → EFFECT 3 → EFFECT 4 → EFFECT 5 → EFFECT 4 → EFFECT 3 → EFFECT 2 → EFFECT 1
 As the number increases, the selected DAP mode becomes stronger.

- From the remote control:**
- Press SOUND CONTROL. The 10 keys are activated for sound adjustments.
 - Press SURROUND repeatedly until the DAP mode — DANCE CLUB, LIVE CLUB, HALL, or PAVILION — appears on the display. The DAP indicator also lights up on the display.
 - Press REAR+/- to adjust the rear speaker output level. Pressing REAR-/- decreases the output level up to -10 dB. Pressing REAR+ /+ increases the output level up to +10 dB.
 Note: You cannot adjust the left and right rear speaker output levels separately.
 - Press EFFECT to select an effect level you want. Each time you press the button, the effect level changes as follows:
 EFFECT 1 → EFFECT 2 → EFFECT 3 → EFFECT 4 → EFFECT 5 → EFFECT 4 → EFFECT 3 → EFFECT 2 → EFFECT 1
 As the number increases, the selected DAP mode becomes stronger.

- Press TEST to check the speaker output balance. "TEST" starts flashing on the display, and a test tone comes out of the speakers in the following order:
 Left front speaker → Center speaker → Rear speaker → Right front speaker
 Note: You can adjust the speaker output levels without outputting the test tone.
- Press CENTER +/- repeatedly to adjust the center speaker output level (from -10 to +10).
- Press REAR+/- repeatedly to adjust the rear speaker output level (from -10 to +10).
 Note: You cannot adjust the left and right rear speaker output levels separately. You cannot use the REAR+/- buttons to adjust the rear speaker output level.
- Press TEST again to stop the test tone.

Adjusting the Surround Modes — Dolby Surround and JVC Theater Surround

Before you start, remember...
 • Make sure that you have set the speaker information correctly (see page 11).
 • There is a time limit in doing the following steps. If the setting is canceled before you finish, start from step 1 again.
 • You can only adjust the effect level when selecting JVC Theater Surround.
 • You can only adjust the rear and/or center speaker output levels when you have connected rear speakers and/or a center speaker and have set "REAR SPK" and/or "CNTR SPK" correctly. See page 11.

- From the remote control:**
- Press SOUND CONTROL. The 10 keys are activated for sound adjustments.
 - Press SURROUND repeatedly until the mode — "PROLOGIC," "3 STEREO," or "THEATER" — appears on the display. For "PROLOGIC" and "3 STEREO," the PRO LOGIC indicator lights up on the display. For "THEATER," the PRO LOGIC and DAP indicators light up on the display.

- On the front panel:**
- Press SURROUND repeatedly until the mode — "PROLOGIC," "3 STEREO," or "THEATER" — appears on the display. The PRO LOGIC indicator also lights up on the display.
 - Press ADJUST so that MULTI CURSOR $\Delta / \nabla / \leftarrow / \rightarrow$ work for adjusting the DSP setting.
 - Press MULTI CURSOR Δ / ∇ repeatedly until "CENTER+" appears on the display.
 - Press MULTI CURSOR \leftarrow / \rightarrow to adjust the center speaker output level (from -10 to +10).
 - Press MULTI CURSOR Δ / ∇ repeatedly until "REAR +" appears on the display.
 - Press MULTI CURSOR \leftarrow / \rightarrow to adjust the rear speaker output level (from -10 to +10).
 Note: You cannot adjust the left and right rear speaker output levels separately.

- ONLY FOR "THEATER": Press MULTI CURSOR Δ / ∇ to select an effect level you want. Each time you press the button, the effect level changes as follows:
 EFFECT 1 → EFFECT 2 → EFFECT 3 → EFFECT 4 → EFFECT 5 → EFFECT 4 → EFFECT 3 → EFFECT 2 → EFFECT 1
 As the number increases, JVC Theater Surround becomes stronger.

Activating the DSP Modes

- Once you have finished adjustments for the DSP modes, you can use the same adjustments every time you want to use these modes.
- On the front panel:**
- Press SURROUND repeatedly until the DSP mode you want appears on the display. Each time you press the button, the DSP modes change. (See page 18 for more details.)
 - Select and play a sound source. To enjoy the 3D-PHONIC, Dolby Surround, and JVC Theater Surround, play back a software which was processed with Dolby Surround and is labeled with DOLBY SURROUND mark.
- To cancel the DSP mode**
 Press SURROUND repeatedly until "OFF" appears on the display.

- From the remote control:**
- Press SOUND CONTROL. The 10 keys are activated for sound adjustments.
 - Press SURROUND repeatedly until the DSP mode you want appears on the display. Each time you press the button, the DSP modes change. (See page 18 for more details.)
 - Select and play a sound source. To enjoy the 3D-PHONIC, Dolby Surround, and JVC Theater Surround, play back a software which was processed with Dolby Surround and is labeled with DOLBY SURROUND mark.
- To cancel the DSP mode**
 Press SURROUND repeatedly until "OFF" appears on the display in step 2 above.

English
English

Using the DVD MULTI Playback Mode

This receiver provides the DVD MULTI playback mode for reproducing the analog discrete output mode of the DVD player. Before playing back a DVD, refer also to the manual supplied with the DVD player.

Activating the DVD MULTI Playback Mode

You can adjust the DVD MULTI playback mode while playing back a DVD using the analog discrete output mode on the DVD player. Once you make adjustments, the receiver memorizes the adjustments until you change them.

Before you start, remember...

- Make sure that you have set the speaker information correctly (see page 11).
- There is a time limit in doing the following steps. If the setting is cancelled before you finish, start from step 1 again.
- You can only adjust the rear and center speaker output levels when you have connected rear speakers and/or a center speaker and have set "REAR SPK" and/or "CENTR SPK" correctly. See page 11.

On the front panel:

1. Press DVD MULTI so that "DVDMULTI" appears on the display.



Note:

When you select "DVDMULTI" as the source to play, the DSP mode is cancelled temporarily and the SURROUND button does not work.

2. Select the analog discrete output mode on the DVD player, and start playing a DVD.
 - Refer to the manual supplied with the DVD player.

If you need to make any adjustment, go to the following steps:

3. Press ADJUST so that MULTI CURSOR $\Delta / \nabla / \leftarrow / \rightarrow$ work for adjusting the DVD MULTI playback setting.



4. Press MULTI CURSOR Δ / ∇ repeatedly until "CENTER+" appears on the display.



5. Press MULTI CURSOR \leftarrow / \rightarrow to adjust the center speaker output level (from -10 to +10).



6. Press MULTI CURSOR Δ / ∇ repeatedly until "REAR L+" appears on the display.



7. Press MULTI CURSOR \leftarrow / \rightarrow to adjust the left rear speaker output level (from -10 to +10).



8. Press MULTI CURSOR Δ / ∇ repeatedly until "REAR R+" appears on the display.



9. Press MULTI CURSOR \leftarrow / \rightarrow to adjust the right rear speaker output level (from -10 to +10).



From the remote control:

1. Press DVD MULTI so that "DVDMULTI" appears on the display.



Note:

When you select "DVDMULTI" as the source to play, the DSP mode is cancelled temporarily and the SURROUND button does not work.

2. Select the analog discrete output mode on the DVD player, and start playing a DVD.
 - Refer to the manual supplied with the DVD player.

If you need to make any adjustment, go to the following steps:

3. Press SOUND CONTROL.
 - The 10 keys are activated for adjusting the sound.



4. Press CENTER -/+ to adjust the center speaker output level.
 - Pressing CENTER - decreases the output level up to -10 dB.
 - Pressing CENTER + increases the output level up to +10 dB.



5. Press REAR L -/+ to adjust the left rear speaker output level.
 - Pressing REAR L - decreases the output level up to -10 dB.
 - Pressing REAR L + increases the output level up to +10 dB.



6. Press REAR R -/+ to adjust the right rear speaker output level.
 - Pressing REAR R - decreases the output level up to -10 dB.
 - Pressing REAR R + increases the output level up to +10 dB.

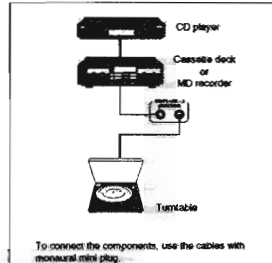


COMPU LINK Remote Control System

The COMPU LINK remote control system allows you to operate JVC audio components through the remote sensor on the receiver.

To use this remote control system, you need to connect JVC audio components through the COMPU LINK-3 (SYNCHRO) jacks (see below) in addition to the connections using cables with RCA pin plugs (see page 5).

- Make sure that the AC power cords of these components are unplugged before connection. Plug the AC power cords only after all connections are complete.



Note:

- If your audio component has two COMPU LINK-3 (SYNCHRO) jacks, you can use either one. If it has only one COMPU LINK-3 (SYNCHRO) jack, connect it so that it is the last item in the series of components. (For example, the turntable or CD player in the diagram above.)
- To operate the cassette deck or MD recorder using the COMPU LINK remote control system, set the source name correctly. (See page 11.)
- Refer also to the manuals supplied with your audio components.

This remote control system allows you to use four functions listed below.

Remote Control through the Remote Sensor on the Receiver

You can control the connected audio components through the remote sensor on the receiver using this remote control. Aim the remote control directly at the remote sensor on the receiver. For details, see pages 24 and 25.

Automatic Source Selection

When you press the play (▶) button on a connected component or on its own, remote control, the receiver automatically turns on and changes the source to the component. On the other hand, if you select a new source on the receiver or the remote control, the selected component begins playing automatically. In both cases, the previously selected source continues playing without sound for a few seconds.

Automatic Power On/Off (Standby): only possible with the COMPU LINK-3 connection

Both the CD player and cassette deck (or MD recorder) turn on and off (standby) along with the receiver. When you turn on the receiver, the CD player or cassette deck (or MD recorder) will turn on automatically, depending on which component has been previously selected. When you turn off the receiver, both the CD player and cassette deck (or MD recorder) will turn off (standby).

Environmental Recording

Synchronized recording means the cassette deck (or MD recorder) starts recording as soon as a CD or a record begins playing.

To use synchronized recording, follow these steps:

1. Put a tape in the cassette deck (or an MD in the MD recorder), and a disc in the CD player (or a record on the turntable).
2. Press the record (Ⓢ) button and the pause (⏸) button on the cassette deck (or MD recorder) at the same time.
 - This puts the cassette deck (or MD recorder) into recording pause.
 - If you do not press the record (Ⓢ) button and pause (⏸) button at the same time, the synchronized recording feature will not operate.
3. Press the play (▶) button on the CD player or on the turntable.
 - The source changes on the receiver, and as soon as play starts, the cassette deck (or MD recorder) starts recording. When the play ends, the cassette deck (or MD recorder) ceases recording, pause, and stops about 4 seconds later.

Note:

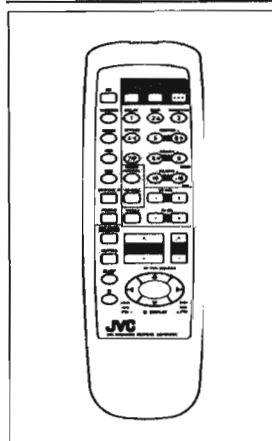
- During synchronized recording, the selected source cannot be changed.
- If the power of any component is shut off during synchronized recording, the COMPU LINK remote control system may not operate properly. In this case, you must start again from the beginning.

Operating Other Components

You can operate JVC's audio and video components with this receiver's remote control, since control signals for JVC components are preset in the remote control.

IMPORTANT:

- To operate JVC's audio components using this remote control:
 - You need to connect JVC audio components through the COMPU LINK-3 (SYNCHRO) jacks (see page 22) in addition to the connections using cables with RCA pin plugs (see page 5).
 - Aim the remote control directly at the remote sensor on the receiver.
 - If you use the buttons on the front panel to choose a source, the remote control will not operate that source. To operate a source with the remote control, the source must be selected using buttons on the remote control.
 - Refer also to the manuals supplied with your components.



FM/AM

- After pressing FM/AM, you can perform the following operations:
- FM/AM:** Alternates between FM and AM (MW/LW/SW).
 1 - 10, +10: Selects a preset channel number directly. For channel number 5, press 5. For channel number 15, press +10, then 5. For channel number 20, press +10, then 10.
- PTY SEARCH:** Searches for a program by PTY codes.
 PTY -/+ : Selects the PTY codes.
DISPLAY: Shows the RDS signals.

Sound control section (Amplifier)

- After pressing SOUND CONTROL, you can perform the following operations:
- SURROUND:** Selects the DSP mode.
CENTER -/+ : Adjusts the center speaker output level for the Surround/DVD MULTI playback modes.
REAR L -/+ : Adjusts the left rear speaker output level for the DSP modes.
REAR R -/+ : Adjusts the right rear speaker output level for the DVD MULTI playback mode.
DELAY: Selects the delay time of the rear speaker sound. (Only works when "PROLOGIC" is selected.)
EFFECT: Turns on or off the test tone output for the Surround mode.
TEST: Turns on or off the test tone output for the Surround mode.

Note:

After adjusting sound, press the corresponding source selecting button or CD-DISC to operate your target source by using the 10 keys; otherwise, the 10 keys cannot be used for operating your target source.

CD player

- After pressing CD, you can perform the following operations on the CD player:
- ▶: Starts playing.
 ◀◀: Returns to the beginning of the current (or previous) track.
 ▶▶: Skips to the beginning of the next track.
 ⏸: Stops playing.
 ⏹: Pauses playing. To release it, press ▶.
 1 - 10, +10: Selects a track number directly. For track number 5, press 5. For track number 15, press +10, then 5. For track number 20, press +10, then 10.

CD player-changer

- After pressing CD-DISC, you can perform the following operations on a CD player-changer:
- ▶: Starts playing.
 ◀◀: Returns to the beginning of the current (or previous) track.
 ▶▶: Skips to the beginning of the next track.
 ⏸: Stops playing.
 ⏹: Pauses playing. To release it, press ▶.
 1 - 6, 7/P: Selects the number of a disc installed in a CD player-changer.

After pressing CD, you can perform the following operations on the CD player-changer:

- 1 - 10, +10: Selects a track number directly. For track number 5, press 5. For track number 15, press +10, then 5. For track number 20, press +10, then 10. For track number 30, press +10, +10, then 10.

Cassette deck

- After pressing TAPE/MD, you can perform the following operations on a cassette deck:
- ▶: Starts playing.
 ◀◀: Fast winds the tape from right to left.
 ▶▶: Fast winds the tape from left to right.
 ⏸: Stops operations.
 ⏹: Pauses playing. To release it, press ▶.

Note:

To operate the cassette deck or MD recorder using the COMPU LINK remote control system, set the source name correctly. (See page 11.)

MD recorder

- After pressing TAPE/MD, you can perform the following operations on the MD recorder:
- ▶: Starts playing.
 ◀◀: Returns to the beginning of the current (or previous) track.
 ▶▶: Skips to the beginning of the next track.
 ⏸: Stops playing.
 ⏹: Pauses playing. To release it, press ▶.

Note:

To operate the cassette deck or MD recorder using the COMPU LINK remote control system, set the source name correctly. (See page 11.)

IMPORTANT:

- To operate JVC's video components using this remote control:
 - Aim the remote control directly at the remote sensor on the VCR, DVD player or TV, not on the receiver.
 - Some JVC VCRs can accept two types of the control signals — remote code "A" and "B". Before using this remote control, make sure that the remote control code of the VCR connected to the VCR jacks is set to code "A."

VCR

- You can always perform the following operations:
- VCR/DM:** Turns on or off the VCR.
VCR/CH +/-: Changes the channels on the VCR.

After pressing VCR, you can perform the following operations on the VCR:

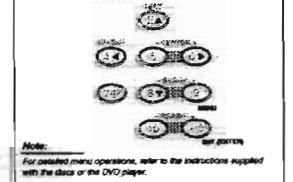
- ▶: Starts playing.
 ◀◀: Rewinds a tape.
 ▶▶: Fast winds a tape.
 ⏸: Stops operations.
 ⏹: Pauses playing. To release it, press ▶.

DVD player

- After pressing DVD or DVD MULTI, you can perform the following operations on a DVD player:
- ▶: Starts playing.
 ◀◀: Returns to the beginning of the current (or previous) track.
 ▶▶: Skips to the beginning of the next track.
 ⏸: Stops playing.
 ⏹: Stops playing temporarily. To release it, press ▶.

Note:

After pressing DVD or DVD MULTI, these buttons can be used for the DVD menu operations.



TV

- You can always perform the following operations:
- TV CH +/-:** Turns on or off the TV.
TV VOL +/-: Adjusts the volume.
TV/VIDEO: Sets the input mode (either TV or VIDEO).
TV CH +/-: Changes the channels.

Troubleshooting

Use this chart to help you solve daily operational problems. If there is any problem you cannot solve, contact your JVC service center.

PROBLEM	POSSIBLE CAUSE	SOLUTION
The display does not light up.	The power cord is not plugged in.	Plug the power cord into an AC outlet.
No sound from speakers.	Speaker signal cables are not connected.	Check speaker wiring and reconnect if necessary.
	The SPEAKERS 1 and 2 buttons are not set correctly.	Press SPEAKERS 1 and 2 correctly.
	An incorrect source is selected.	Select the correct source.
Sound from one speaker only.	Muting is activated.	Press MUTING to cancel the mute.
	Speaker signal cables are not connected properly.	Check speaker wiring and reconnect if necessary.
Continuous hiss or buzzing during FM reception.	The balance is set to one extreme.	Adjust the balance properly (see page 10).
	Incoming signal is too weak.	Connect an outside FM antenna or contact your dealer.
	The antenna is too far away.	Select a new station.
	An incorrect antenna is used.	Check with your dealer to be sure you have the correct antenna.
Occasional crackling noise during FM reception.	Antennas are not connected properly.	Check connections.
	Ignition noise from automobiles.	Move the antenna farther from automobile metal.
Howling during record playing.	Your turntable is too close to speakers.	Move speakers away from the turntable.
	"OVERLOAD" starts flashing on the display.	Repeat the MASTER VOLUME control counterclockwise three or four times, then press STANDBY/ON (off) on the front panel. If "OVERLOAD" does not disappear, unplug the AC power cord, then plug it back again.
Repeat control does not work.	Speakers are overloaded because of short circuit of speaker terminals.	Press STANDBY/ON (off) on the front panel, then check the speaker wiring. If "OVERLOAD" does not disappear, unplug the AC power cord, then plug it back again. If speaker wiring is not short-circuited, contact your dealer.
	There is an obstruction in front of the remote sensor on the receiver.	Remove the obstruction.
	Batteries are weak.	Replace batteries.

English
English

Specifications

Amplifier

Output Power:

At Stereo operation: 100 W per channel, min. RMS, both channels driven into 4 Ω at 1 kHz, with no more than 0.5% total harmonic distortion. (IEC766-3/JD04)

At Stereomono operation:

Front Channel: 100 W per channel, min. RMS, driven into 4 Ω at 1 kHz, with no more than 0.5% total harmonic distortion.

Center channel: 100 W, min. RMS, driven into 4 Ω at 1 kHz, with no more than 0.5% total harmonic distortion.

Rear channel: 100 W per channel, min. RMS, driven into 4 Ω at 1 kHz, with no more than 0.5% total harmonic distortion.

Total Harmonic Distortion (S & L, 1 kHz):
0.5% at 50 W output
(* Measured by JVC Audio Analysis System)

Audio Input Sensitivity/Impedance (1 kHz):
PHONO (MM): 2.0 mV/47 kΩ
CD, TAPE/MD, VCR, DVD: 150 mV/16 kΩ

Audio Output Level: TAPE/MD, VCR, 160 mV

Signal-to-Noise Ratio (**, 60 dB/DIN):
PHONO: 70 dB/66 dB
CD, TAPE/MD, VCR, DVD: 87 dB/67 dB

Frequency Response (S & L):
PHONO: 20 Hz to 20 kHz (±1 dB)
CD, TAPE/MD, VCR, DVD: 20 Hz to 20 kHz (±1 dB)

RIAA Pono Equalization: ±1.0 dB (20 Hz to 20 kHz)

FM tuner (MHz)

Tuning Range: 87.50 MHz to 108.00 MHz

Usable Sensitivity: Monaural: 17.0 dBf (1.95 pV/75 Ω)

50 dB Quieting Sensitivity:

Monaural: 21.3 dBf (3.2 pV/75 Ω)

Stereo: 41.3 dBf (31.5 pV/75 Ω)

Signal-to-Noise Ratio (S/N, A weighted):

Monaural: 78 dB at 85 dBf

Stereo: 73 dB at 85 dBf

Total Harmonic Distortion:

Monaural: 0.4% at 1 kHz

Stereo: 0.6% at 1 kHz

Stereo Separation at REC OUT: 35 dB at 1 kHz

Alternate Channel Selectivity:

60 dB (±400 Hz)

Frequency Response: 30 Hz to 15 kHz (+0.3 dB, -3 dB)

AM (MW/LW) tuner

Tuning Range: MW: 522 kHz to 1,620 kHz

LW: 144 kHz to 288 kHz

Usable Sensitivity, Loop antenna: 400 pV/m (MW)

Signal-to-Noise Ratio: 50 dB (100 mV/m)

General

Power Requirements: AC 230V ~, 30 Hz

Power Consumption: 200 W (at operation)

2 W (at standby mode)

Dimensions (W x H x D): 435 mm x 146 mm x 403.5 mm

(17 1/8 in. x 5 3/4 in. x 15 7/8 in.)

Mass: 8.9 kg (19.7 lbs)

Design & specifications are subject to change without notice.

English
English



VECTOR COMPANY OF JAPAN, LIMITED

Disassembly method

■ Top cover removal (See Fig.1)

- 1.Remove the 4 screws "A" on both sides of the top cover and 3 screws "B" on the rear side.
- 2.Lift the back of the top cover spreading both sides to remove.

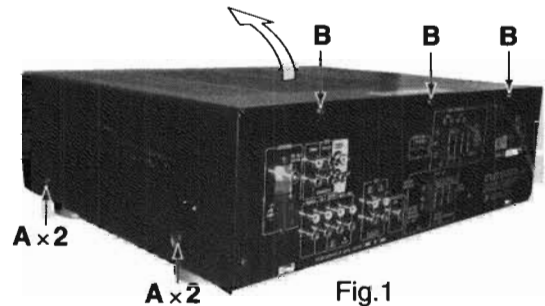


Fig.1

■ Front panel assembly removal (See Fig.2,3)

- 1.Remove the top cover.
- 2.Remove the 4 screws "C" on the bottom side and 3 screws "D" on the top side.
- 3.Disconnect the wire from CN811 on the main board.
- 4.Disconnect the wire from CN314 on the audio & source selector board.
- 5.Disconnect the connector CN414 on the audio & source selector board.
- 6.Tie band is cut out.
- 7.Remove the front panel assembly.

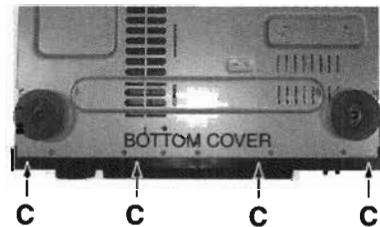


Fig.2

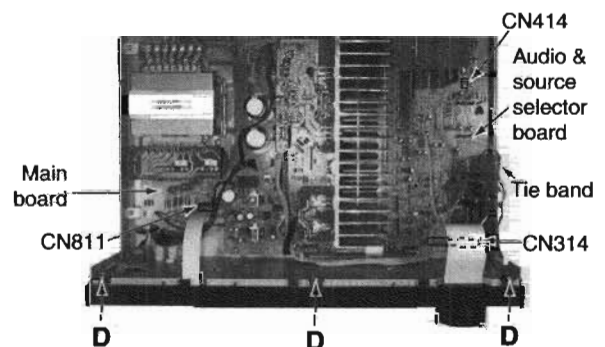


Fig.3

■ Rear panel removal (See Fig.4)

- 1.Remove the top cover
- 2.Remove the 14 screws "E" attaching each boards to the rear panel.
- 3.Remove the 3 screws "F" attaching the rear panel on the back of the body.
- 4.Remove the power cord stopper up side.
- 5.Remove the rear panel.

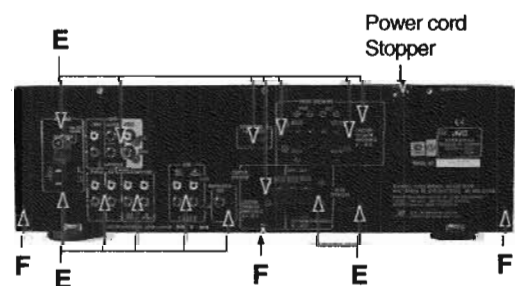
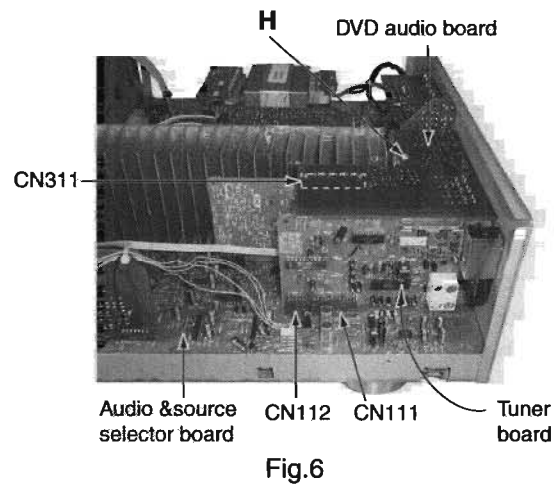
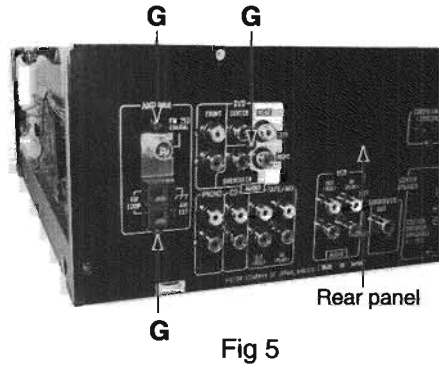


Fig.4

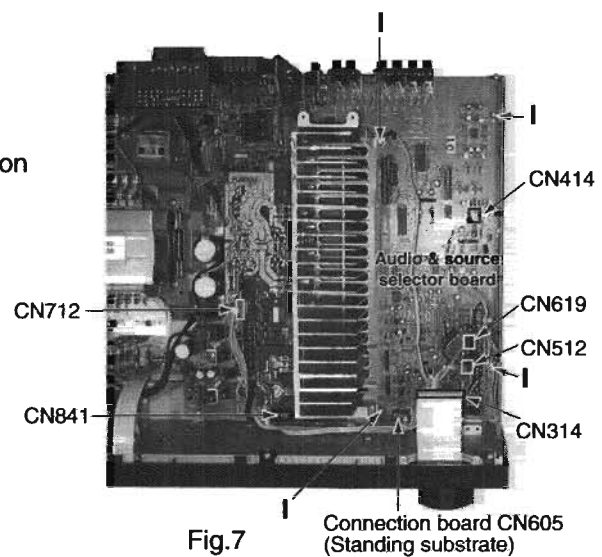
■ **Remove tuner board and DVD audio board (See Fig.5,6)**

- 1.Remove the top cover
- 2.Remove the 3 screws "G" attaching the DVD audio board and tuner board to the rear panel.
- 3.Remove the 1 screw "H" on the DVD audio board.
- 4.Disconnect the connector from CN311 on the DVD audio board.
- 5.Disconnect the tuner board from connector CN111 and CN112 on the audio & source selector board.



■ **Audio & source selector board Removal (Fig.7)**

- 1.Remove the top cover and rear panel.
- 2.Remove the DVD audio board and tuner board.
- 3.Disconnect the connector from CN512,CN619 and CN414 on the audio & source selector board.
- 4.Disconnect the card wire from CN314 on the audio & source selector board.
- 5.Disconnect the connector from CN712 on the pre AMP. board.
- 6.Each tie band is cut out.
- 7.Disconnect the connection board from connector CN605 and CN841.
- 8.Remove the 4 screws "I" on the audio & source selector board.
- 9.Remove the audio & source selector board.



■ Main board Removal (See Fig.8,9)

- 1.Remove the top cover, rear panel and front panel assembly.
- 2.Pull out the connection board.
- 3.Disconnect the pre AMP. board from connector CN701 and CN703 on the main board.
- 4.Remove the 8 screws "J" on the main board.
- 5.Remove the 8 screws "K" on the power transistor.
- 6.Disconnect the connector from CN511 and wire from CN831 on the main board.
- 7.Each tie band is cut out.
- 8.Remove the 2 screws "L" on push switch of the front side.
- 9.Remove nut on terminal of the headphone jack.
- 10.The solder of the wire connected with the power transformer is removed.
- 11.Remove the main board.

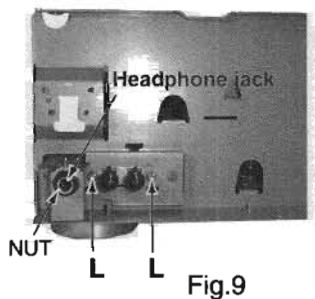


Fig.9

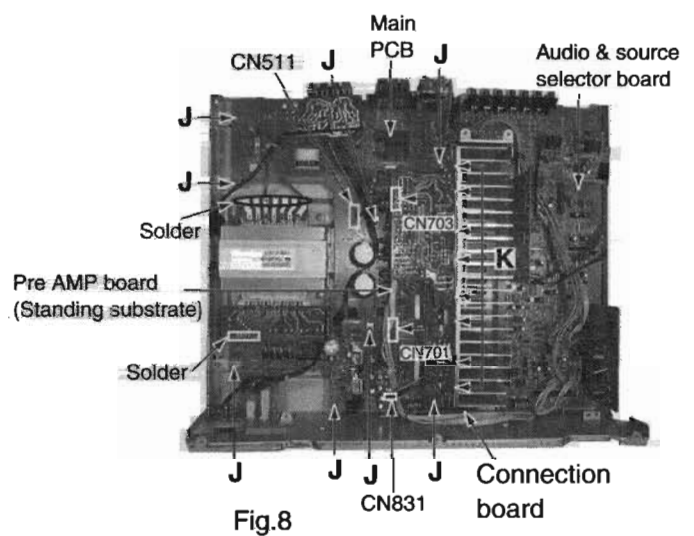


Fig.8

■ System control board and Power switch board Removal (See Fig.10,11)

- 1.Remove the top cover.
- 2.Remove the Front panel assembly.
- 3.Remove the master volume knob and nut.
- 4.Remove the 13 screws "M" on the system control board and power switch board.

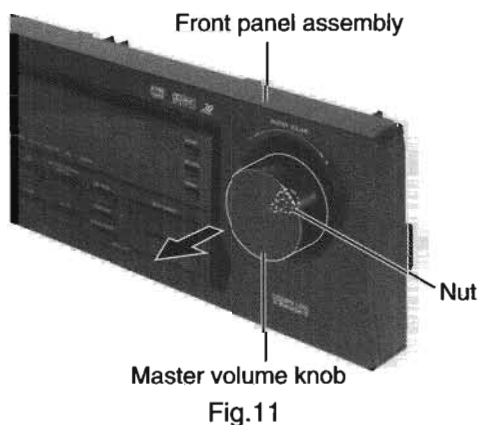


Fig.11

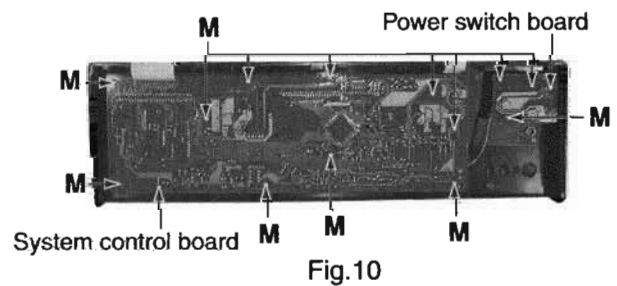
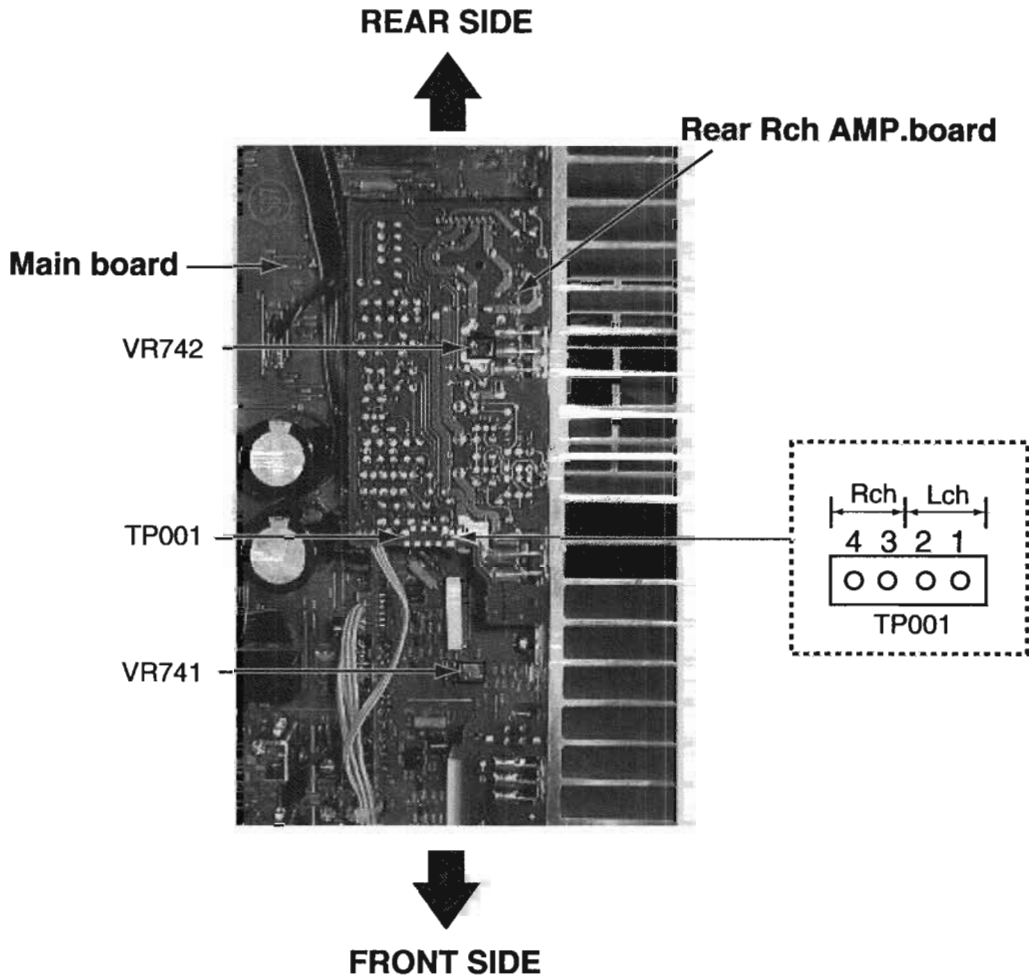


Fig.10

Adjustment method

■ POWER AMPLIFIER SECTION



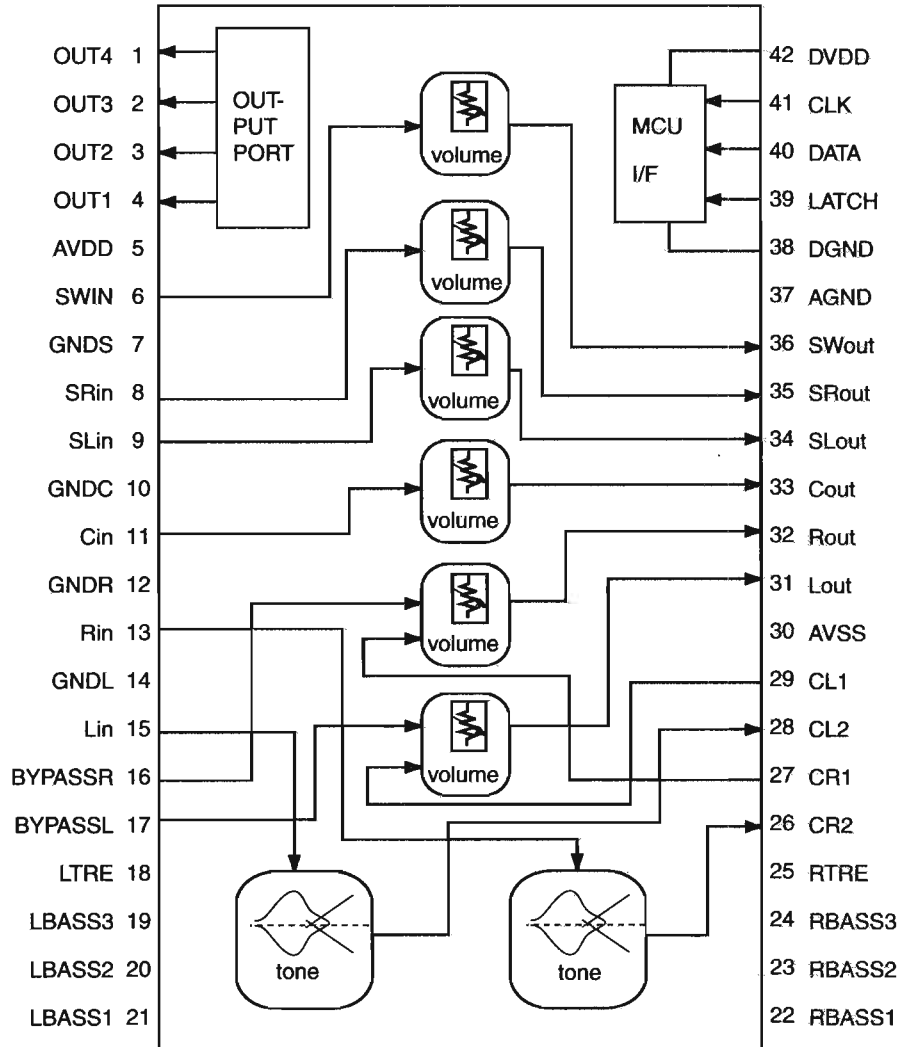
IDLING CURRENT

1. Set the volume control to minimum during this adjustment.
2. Set the surround mode OFF.
2. Turn VR741 and VR742 fully counterclockwise to warm up before adjustment.
If the heat sink is already warm from previous use the correct adjustment can not be made.
3. For L-ch, connect a DC voltmeter between TP001's pin1 and pin2 (Lch)
And, connect it between pin3 and pin4(Rch).
4. 30 minutes later after power on, adjust VR741 for L-ch, or VR742 for R-ch so that the DC voltmeter value has 1mV~10mV.

Description of major ICs

■ M62446FP(IC341) : 6CH Master volume

1. Block Diagram



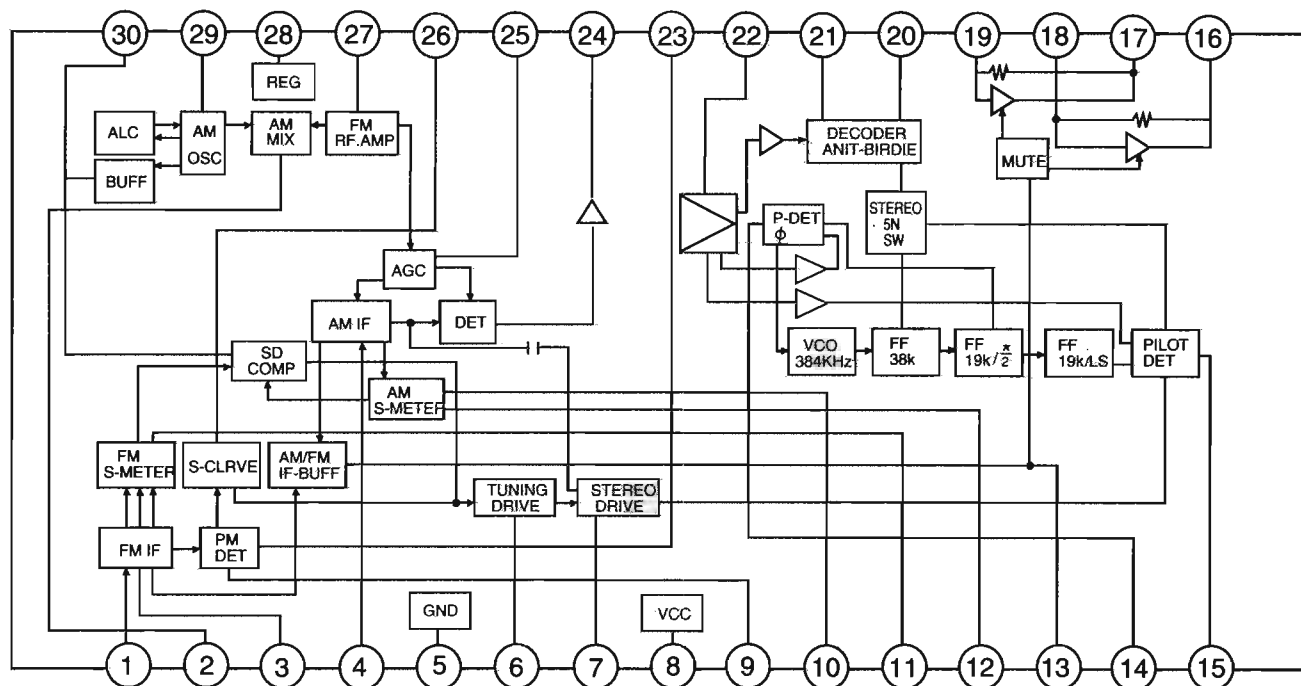
RX-5000RBK

2.Pin Function (M62446FP)

Pin No.	Symbol	I/O	Descriptions
1	SURROUND	O	SURROUND control terminal
2	BASS BOOST	O	BASS BOOST control terminal
3	INPUT-ATT	O	Input attenuator control terminal
4	MUTING	O	MUTING control terminal
5	AVDD	-	Analog positive power supply terminal
6	SWIN	I	SUB Woofer volume signal input terminal
7	A.GND	-	Analog ground terminal
8	RR IN	I	R ch volume signal input terminal for rear speaker
9	RL IN	I	L ch volume signal input terminal for rear speaker
10	A.GND	-	Analog ground terminal
11	C IN	I	Center volume signal input terminal
12	A.GND	-	Analog ground terminal
13	R IN	I	R ch volume signal input terminal
14	A.GND	-	Analog ground terminal
15	L IN	I	L ch volume signal input terminal
16,17		-	Non connect
18		-	Frequency adjustment terminal tone/treble
19~21		-	Frequency adjustment terminal tone/bass
22		O	Tone output terminal
23,24		-	Frequency adjustment terminal tone/bass
25		-	Frequency adjustment terminal tone/treble
26		-	Frequency adjustment terminal tone/bass
27		I	L/R volume input terminal
28		O	Tone output terminal
29		I	L/R volume input terminal
30	AVSS	-	Analog negative power supply terminal
31	L OUT	O	L ch output
32	R OUT	O	R ch output
33	C OUT	O	Center volume signal output terminal
34	RL OUT	O	L ch volume signal output terminal for rear speaker
35	RR OUT	O	R ch volume signal output terminal for rear speaker
36	SW OUT	O	SUB Woofer volume signal output terminal
37	A.GND	-	Analog ground terminal
38	D.GND	-	Digital ground terminal
39	VOL STB	I	Latch input terminal
40	VOL DATA	I	Volume data input terminal
41	VOL CLK	I	Clock input terminal for data transfer
42	DVDD	-	Digital power supply terminal

■ LA1838(IC102): FM AM IF AMP&detector, FM MPX Decoder

1. Block Diagram



2. Pin Function

Pin No.	Symbol	I/O	Function	Pin No.	Symbol	I/O	Function
1	FM IN	I	This is an input terminal of FM IF signal.	16	L OUT	O	Left channel signal output.
2	AM MIX	O	This is an out put terminal for AM mixer.	17	R OUT	O	Right channel signal output.
3	FM IF	I	Bypass of FM IF	18	L IN	I	Input terminal of the Left channel post AMP.
4	AM IF	I	Input of AM IF Signal.	19	R IN	I	Input terminal of the Right channel post AMP.
5	GND	-	This is the device ground terminal.	20	RO	O	Mpx Right channel signal output.
6	TUNED	O	When the set is tuning,this terminal becomes "L".	21	LO	O	Mpx Left channel signal output.
7	STEREO	O	Stereo indicator output. Stereo "L", Mono: "H"	22	MPX IN	I	Mpx input terminal
8	VCC	-	This is the power supply terminal.	23	FM OUT	O	FM detection output.
9	FM DET	-	FM detect transformer.	24	AM DET	O	AM detection output.
10	AM SD	-	This is a terminal of AM ceramic filter.	25	AM AGC	I	This is an AGC voltage input terminal for AM
11	FM VSM	O	Adjust FM SD sensitivity.	26	AFC	-	This is an output terminal of voltage for FM-AFC.
12	AM VSM	O	Adjust AM SD sensitivity.	27	AM RF	I	AM RF signal input.
13	MUTE	I/O	When the signal of IF REQ of IC121(LC72131) appear, the signal of FM/AM IF output. //Muting control input.	28	REG	O	Register value between pin 26 and pin28 besides the frequency width of the input signal.
14	FM/AM	I	Change over the FM/AM input. "H" :FM, "L" : AM	29	AM OSC	-	This is a terminal of AM Local oscillation circuit.
15	MONO/ST	O	Stereo : "H", Mono: "L"	30	OSC BUFFER	O	AM Local oscillation Signal output.

■ MN173222BA(IC401) : System controller

1.Key Matrix

	KEY OUT 0	KEY OUT1	KEY OUT 2	KEY OUT 3	KEY OUT 4	KEY OUT5
KEY IN 0	POWER	SURROUND	DVD MULTI	←	CD	EON
KEY IN 1	ADJUST	ONE TOUCH OPERATION	DVD	→	PHONE	TA/NEWS/INFO
KEY IN 2	SETTING	INPUT ATT	VCR	↑	TAPE/MD	PTY SEARCH
KEY IN 3	MEMORY	—————	FM	↓	AM	DISPLAY MODE

2.Pin Function (1/2)

Pin No.	Symbol	I/O	Function
1,2	IN1,2	I	Volume jog signal input
3,4	VIDEO1,2	O	Video signal switch output
5	PROTECT	I	Protect signal input of speaker
6	POWER	O	Power ON output
7~10	KI0~3	I	Key matrix signal input
11	VCR /S/C	-	Not used
12~21	G11~G2	O	FL grid signal output
22	G1/KO7	O	FL grid signal output / Key matrix signal output
23	VPP	-	Power supply
24~39	S1~16	O	FL segment control signal output
40	B.BOOST LED	O	Bass boost indicator control
41	CLK.D	O	Clock signal output to DSP
42	DATAIN.D	I	Data signal input from DSP
43	DATAOUT.D	O	Data signal output to DSP
44	INH	I	Inhibit detection signal input
45	RDS CLK	I	Clock signal input from RDS
46	RDS DATA	I	Data input from RDS
47	SW DATA	O	Function switch data signal output
48	REMOCON IN	I	Remote control signal input
49	RDS D.ST	I	Data start signal for block data to output serial data
50	STEREO	I	Stereo indicator output. Stereo "L" Mono "H"
51	TUNED	I	When the set is tuning, this terminal becomes "L"
52	CE.PLL	O	Chip enable output to IC121
53	CK.PLL	I/O	Clock signal for IC121
54	SW.CLK	O	Function switch clock signal output
55	DO.PLL	I/O	Tuner PLL data
56	DCS IN	I	Compulink signal input
57	DCS OUT	O	Compulink signal output
58	ERR.DSP	I	DSP control data input
59	IFOK.DSP	I	DSP control data input
60	ACK.DSP	I	DSP control data input
61	CS.DSP	O	DSP control data output
62	RELAY Sch	O	Rear ch relay control signal output
63	T.MUTE	O	TUNER mute signal output
64	SUBWFMUTE	O	Sub woofer mute signal output

2.Pin Function (MN173222BA 2/2)

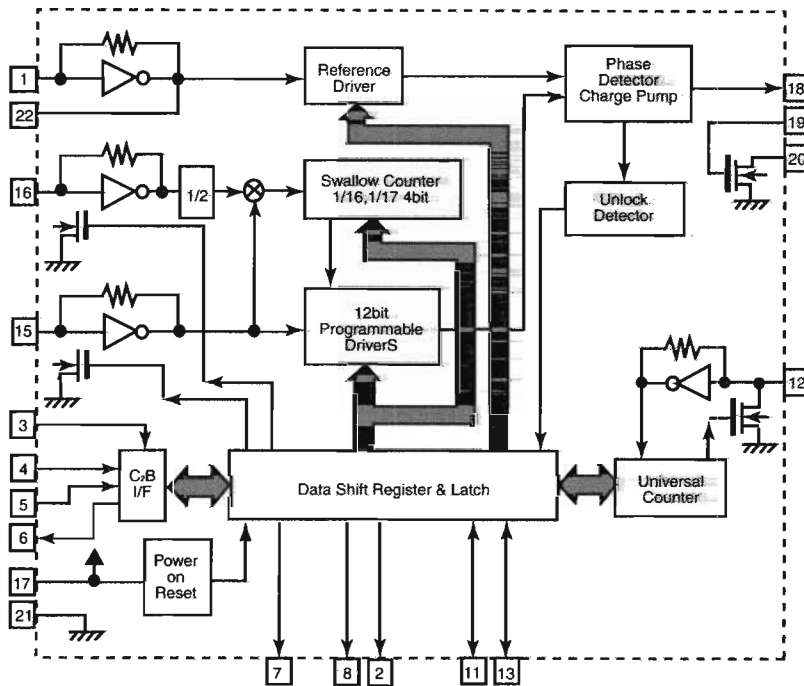
Pin No.	Symbol	I/O	Function
65	TV OUT	-	Connect to GND
66	VCR OUT	-	Connect to GND
67	VCR IN	-	
68	RESET IN	I	Reset signal input
69	X1	-	Connect to GND
70	X2	-	Non connect
71	VSS	-	Connect to GND
72	OSC2	-	Oscillation terminal
73	OSC1	-	Oscillation terminal
74	VDD	-	Power supply
75	RELAY Cch	O	Center ch relay control signal output
76	RELAY L/R	O	Front ch relay control signal output
77	SURROUND	O	Surround ON/OFF control
78	INPUT ATT LED	O	INPUT ATT. Indicator control
79	ONE T. LED	O	ONE TOUCH OPERATION indicator control
80	STANDBY LED	O	STANDBY indicator control
81	STB-SW	O	Strobe signal output of function switch
82	VOLUME DATA	O	Data output to IC341
83	VOLUME CLK	O	Clock signal output to IC341
84	VOLUMESTB	O	Strobe signal output to IC341

■ LC72136N (IC121) : PLL Frequency Synthesizer

1. Pin layout

XT	1	22	XT
FM/AM	2	21	GND
CE	3	20	LPFOUT
DI	4	19	LPFIN
CLOCK	5	18	PD
DO	6	17	VCC
FM/ST/VCO	7	16	FMIN
AM/FM	8	15	AMIN
	9	14	
	10	13	IFCONT
SDIN	11	12	IFIN

2. Block diagram

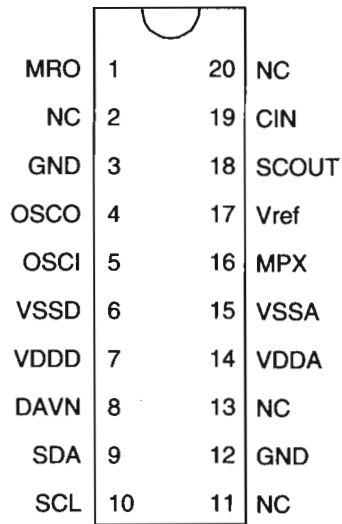


3. Pin function

Pin No.	Symbol	I/O	Function	Pin No.	Symbol	I/O	Function
1	XT	I	X'tal oscillator connect (75kHz)	12	IFIN	I	IF counter signal input
2	FM/AM	O	LOW:FM mode	13	IFCONT	O	IF signal output
3	CE	I	When data output/input for 4pin(input) and 6pin(output): H	14		-	Not use
4	DI	I	Input for receive the serial data from controller	15	AMIN	I	AM Local OSC signal output
5	CLOCK	I	Sync signal input use	16	FMIN	I	FM Local OSC signal input
6	DO	O	Data output for Controller Output port	17	VCC	-	Power supply(VDD=4.5-5.5V) When power ON:Reset circuit move
7	FM/ST/VCO	O	"Low": MW mode	18	PD	O	PLL charge pump output(H: Local OSC frequency Height than Reference frequency. L: Low Agreement: Height impedance)
8	AM/FM	O	Open state after the power on reset	19	LPFIN	I	Input for active lowpassfilter of PLL
9	LW	I/O	Input/output port	20	LPFOUT	O	Output for active lowpassfilter of PLL
10	MW	I/O	Input/output port	21	GND	-	Connected to GND
11	SDIN	I/O	Data input/output	22	XT	I	X'tal oscillator(75KHz)

■ SAA6588 (IC191) : RDS Detector

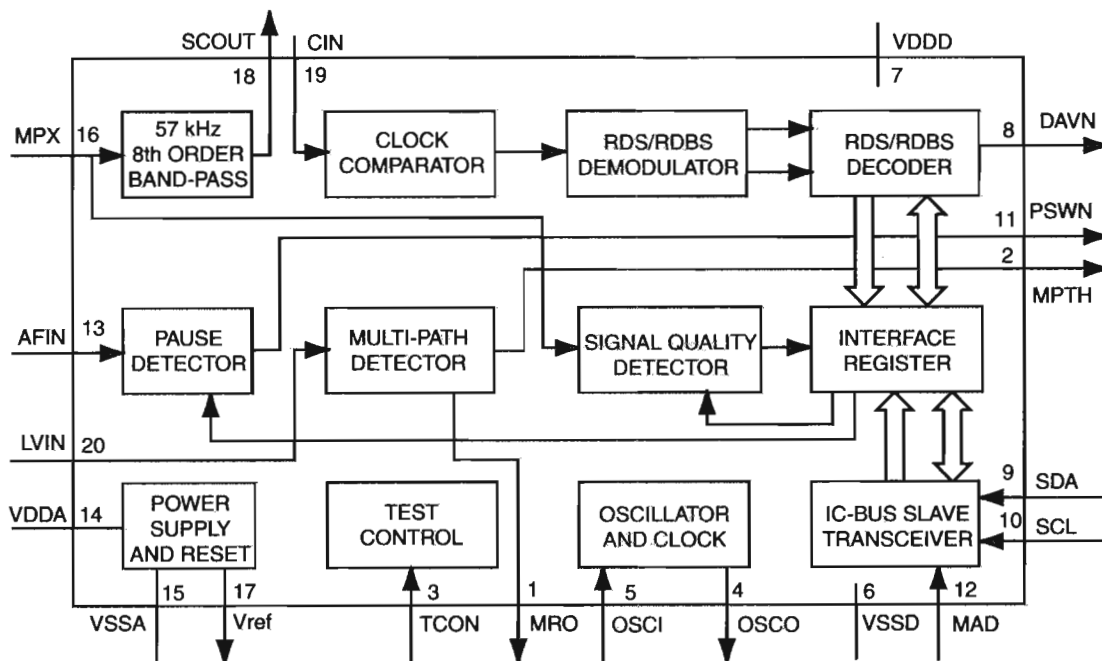
1.Pin layout



2.Pin function

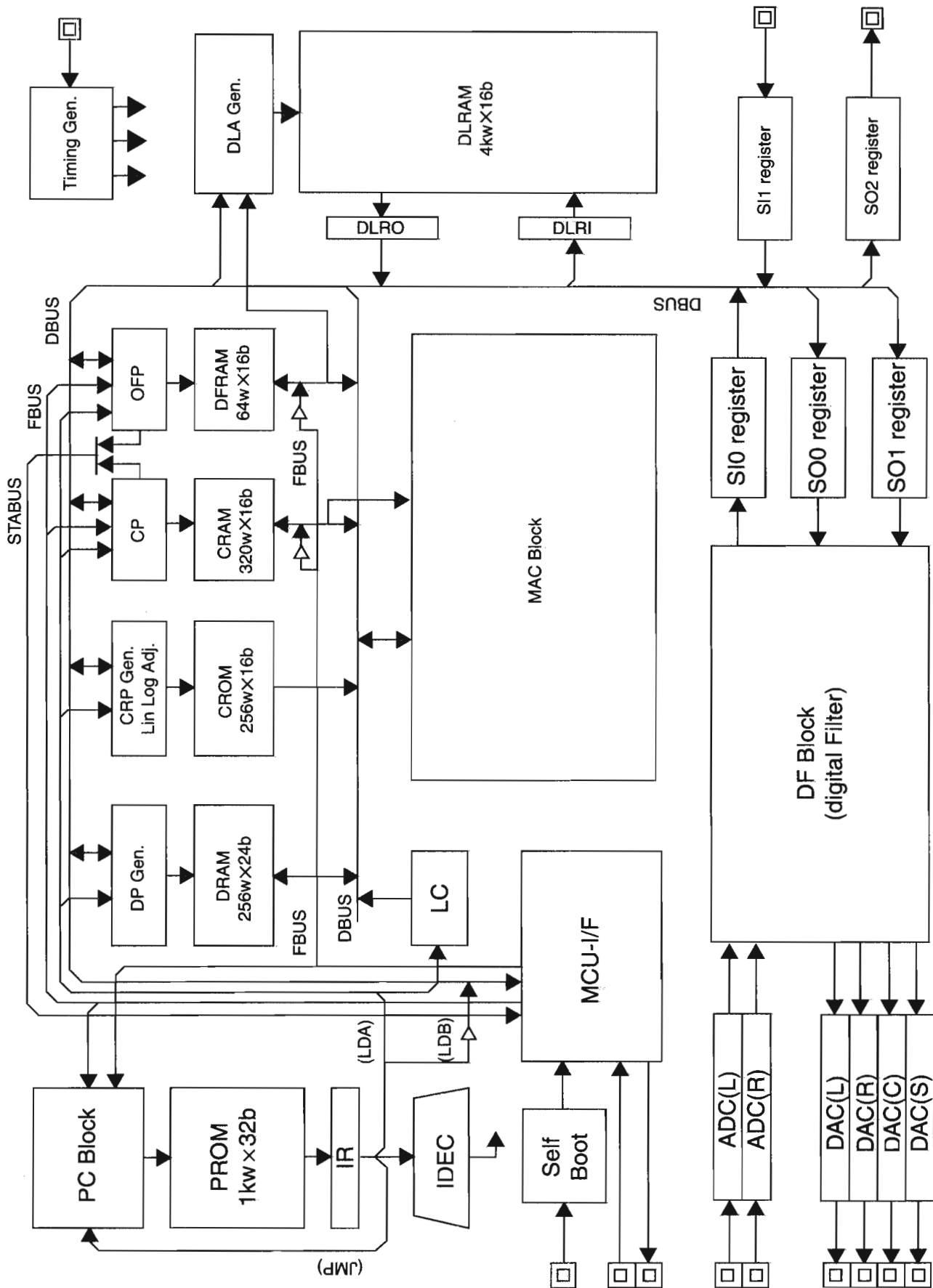
Pin No.	Symbol	I/O	Function
1	MRO	O	Multi-path rectifier output
2	NC	-	Non connect
3	GND	I	Test control input pin
4	OSCO	O	Oscillator output
5	OSCI	I	Oscillator input
6	VSSD	-	Digital ground (0V)
7	VDDD	-	Digital power supply (5V)
8	DAVN	O	Data available output (active LOW)
9	SDA	I/O	IC-bus serial data I/O
10	SCL	I	IC-bus serial clock input
11	NC	-	Non connect
12	GND	-	Connect to ground
13	NC	-	Non connect
14	VDDA	-	Analog power supply (5V)
15	VSSA	-	Connect to ground
16	MPX	I	Multiplex input signal
17	Vref	O	Reference voltage output
18	SCOUT	O	Band-pass filter output
19	CIN	O	Comparator output
20	NC	I	Level input

3.Block Diagram



■ TC9471F(IC601) : Dolby prologic

1. Block Diagram



2.Pin Function (TC9471F 1/2)

Pin No.	Symbol	I/O	Function
1	ECKO	-	Non connect
2	ECKI	I	Amplifier input terminal for external clock input.
3	A.GND	-	Ground terminal.(For crystal oscillator circuit)
4	A.GND	-	Ground terminal.(For DAC L channel)
5	LchOUT	O	DAC analog signal output terminal.(L channel)
6	V-REF1	-	Reference voltage terminal.(For DAC L channel)
7	A.5V	-	Power supply terminal.(For DAC L channel)
8	A.5V	-	Power supply terminal.(For DAC R channel)
9	V-REF2	-	Reference voltage terminal.(For DAC R channel)
10	RchOUT	O	DAC analog signal output terminal.(R channel)
11	A.GND	-	Ground terminal.(For DAC R channel)
12	A.GND	-	Ground terminal.(For DAC C channel)
13	N.C	O	DAC analog signal output terminal.(C channel)
14	CchOUT	O	DAC analog signal output terminal with attenuator.(For C channel)
15	V-REF3	-	Reference voltage terminal.(For DAC C channel)
16	A.5V	-	Power supply terminal.(For DAC C channel)
17	VRO	O	Reference voltage terminal for attenuator.(Output buffer)
18	VRI	I	Reference voltage terminal for attenuator.(Input buffer)
19	A.5V	-	Power supply terminal.(For DAC S channel)
20	V-REF4	-	Reference voltage terminal.(For DAC S channel)
21	SchOUT	O	DAC analog signal output terminal with attenuator.(For S channel)
22	NC	-	Non connect.
23	A.GND	-	Ground terminal.(For DAC S channel)
24	D.GND	-	Ground terminal.
25~29	NC	-	Non connect.
30	D.5V	-	Power supply terminal.
31	D.5V	-	Power supply terminal.(For DLRAM)
32	D.GND	-	Ground terminal.(For DLRAM)
33~43	NC	-	Non connect.
44	D.GND	-	Ground terminal.
45.46	NC	-	Non connect.
47	D.5V	-	Power supply terminal.
48~53	NC	-	Non connect.
54		-	Ground terminal.
55		-	Power supply.
56		-	Ground terminal.
57	RESET	I	Power supply.

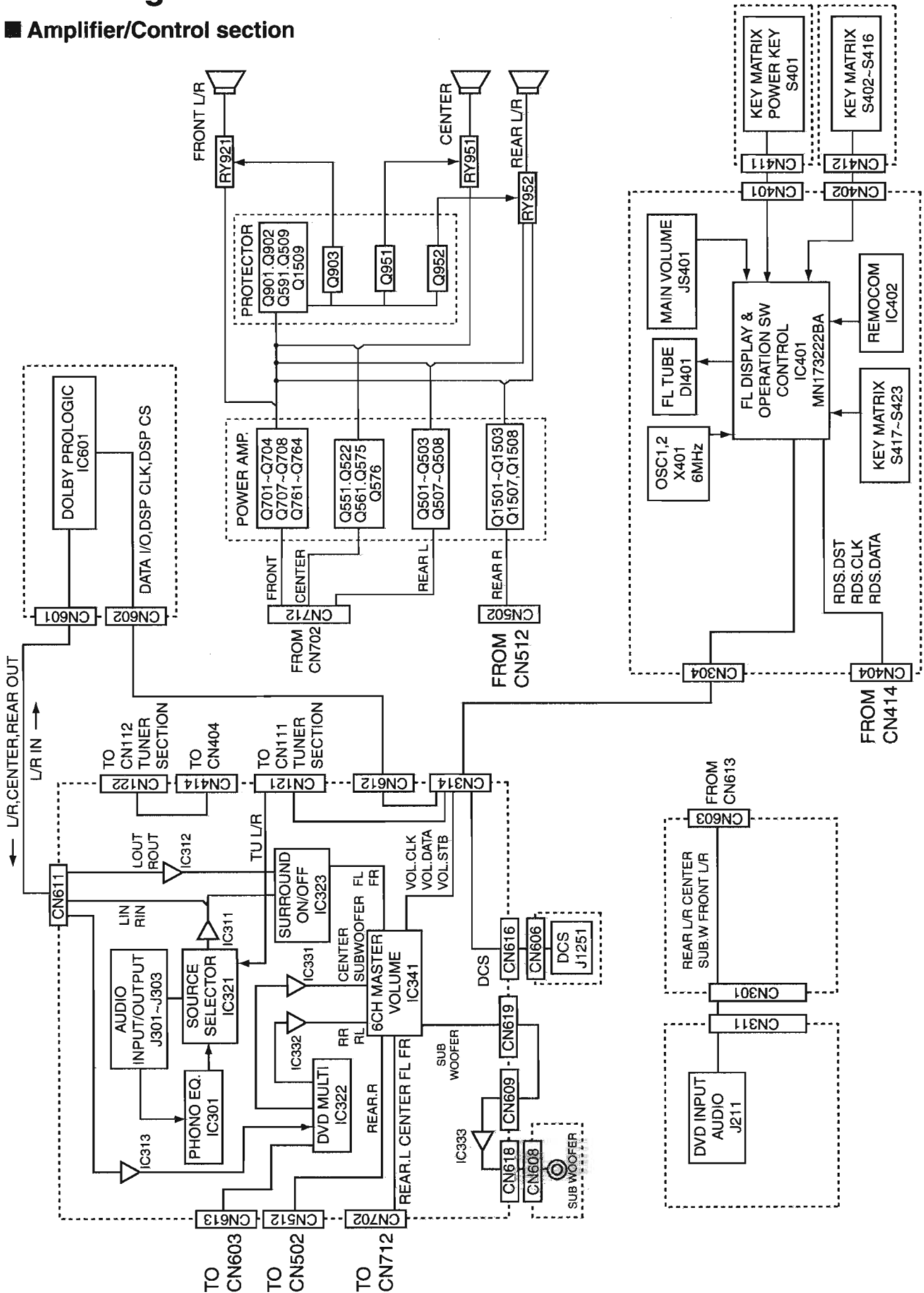
RX-5000RBK

2.Pin Function (TC9471F 2/2)

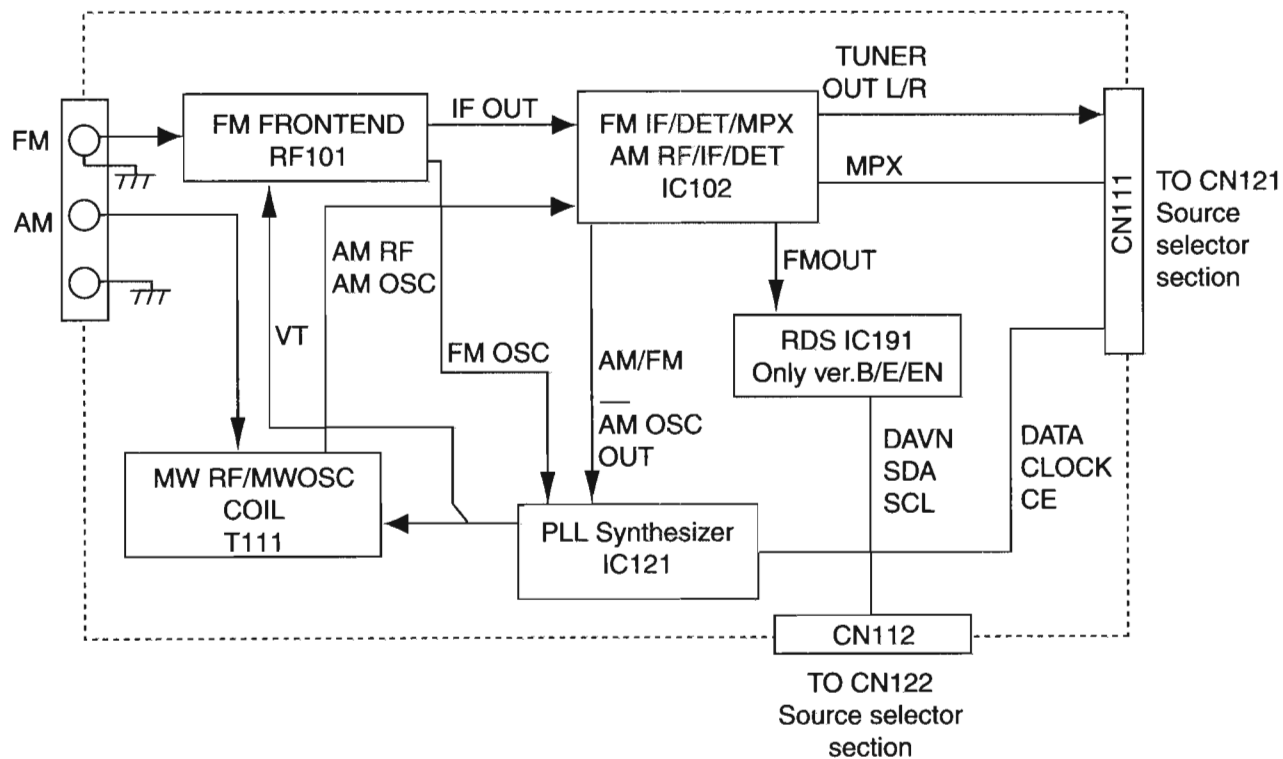
Pin No.	Symbol	I/O	Function
58	D.5V	-	Power supply terminal
59~71		-	Non connect.
72	DSP-CS	I	Chip select signal input terminal.(MCU interface)
73	DSP-CLK	I	Data sift clock input terminal.(MCU interface)
74	DATA-IN	I/O	Data input terminal.(MCU interface) At the IC bus mode,data input /output terminal.
75	DATA-OUT	O	Data output terminal.(MCU interface) At the IC bus mode,normally open.
76	DSP-IFOK	O	Operation flag output terminal.(MCU interface)
77	DSP-ACK	O	Acknowledge signal output terminal.(MCU interface)
78	DSP-ERR	O	Error flag output terminal.(MCU interface)
79	I2CS	I	IC bus mode select terminal.
80	BOOT	I	Self-boot control terminal.
81,82			Non connect.
83	D.5V	-	Power supply terminal.
84~87		-	Ground terminal.
88	D.GND	-	Digital ground terminal.(For ADC L channel)
89	A.GND	-	Analog ground terminal.(For ADC L channel)
90	LchIN	I	ADC analog signal input terminal.(L channel)
91	V-REF5	-	Reference voltage terminal.(For ADC L channel)
92,93	A.5V	-	Analog power supply terminal.
94	V-REF6	-	Reference voltage terminal.(For ADC R channel)
95	RchIN	-	ADC analog signal input terminal.(R channel)
96,97	A.GND	-	Analog ground terminal.(For ADC R channel)
98	XI	I	Crystal oscillator connection terminal.(input)
99	XO	O	Crystal oscillator connection terminal.(output)
100	A.5V	-	Power supply terminal.(For crystal oscillator circuit)

Block diagrams

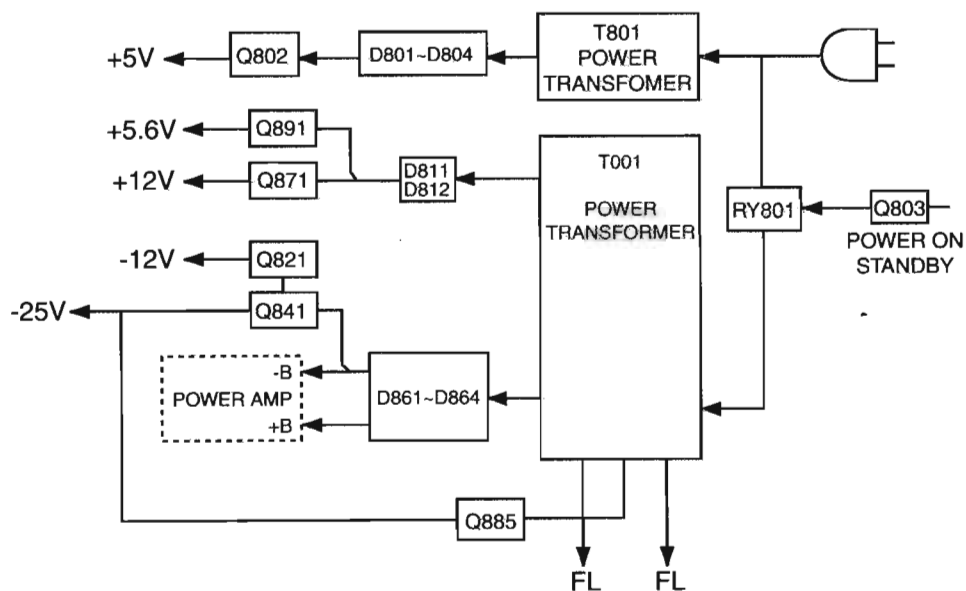
■ Amplifier/Control section



■ Tuner Section



■ Power Supply Section



RX-5000RBK

<<MEMO>>

Standard schematic diagrams

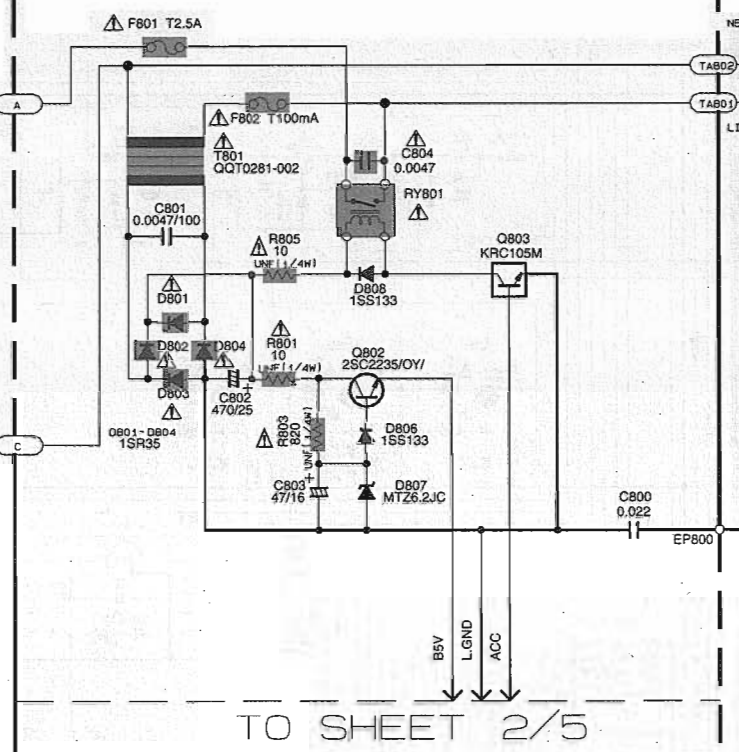
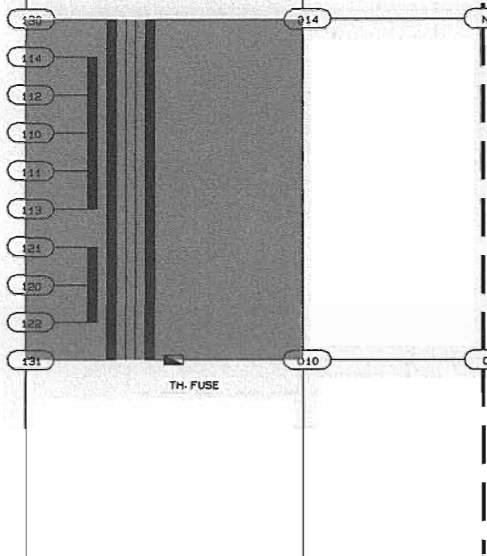
■ Power supply section

B/E/EN

LVA10161-1

POWER TRANSFORMER

LVA10161-5



6

5

4

3

2

1

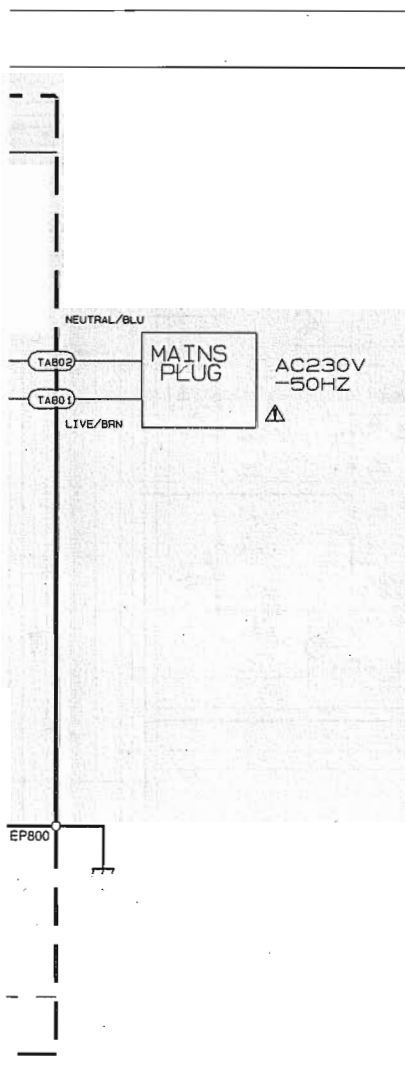
A

B

C

D


E



VERSION CODES	
EN:	NORDIC COUNTRIES
E:	CONTINENTAL EUROPE
B:	U. K.

EXPLANATION OF OVERALL OF SCHEMA.	
MODEL	RX-5000RBK

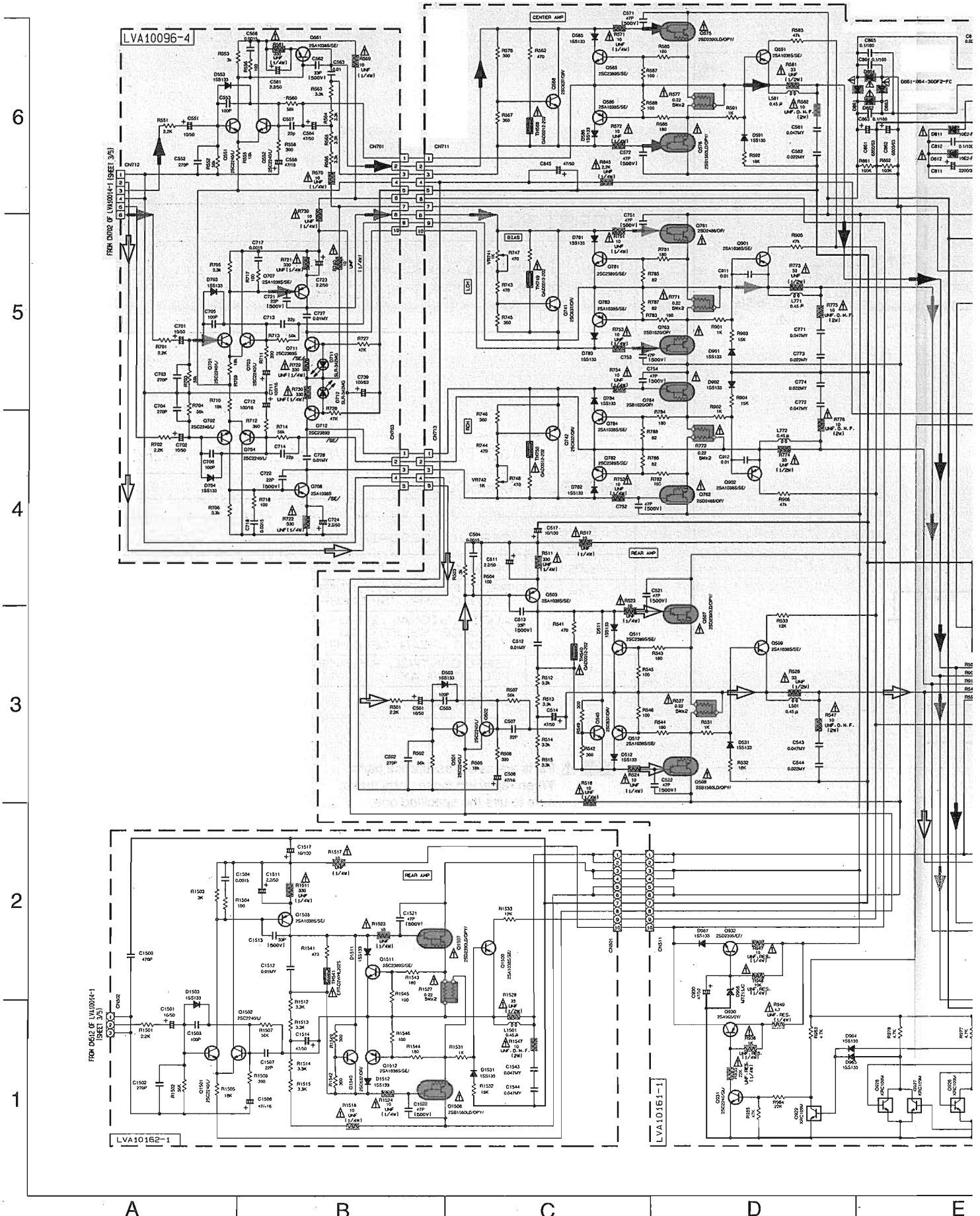
SHEET NUMBER	CIRCUIT DESCRIPTION
1/5	PRIMARY
2/5	RECTIFIER/REGULATOR /AUDIO AMP. /SPEAKER TERMINAL
3/5	AUDIO SIGNAL INPUT TERMINAL /SOURCE SELECT IC /FRONT REAR CENTER VOLUME
4/5	USER CONTROL KEYS/SYSTEMCONTROL LSI /FL DISPLAY
5/5	SURROUND IC

 Parts are safety assurance parts. When replacing those parts make sure to use the specified one.

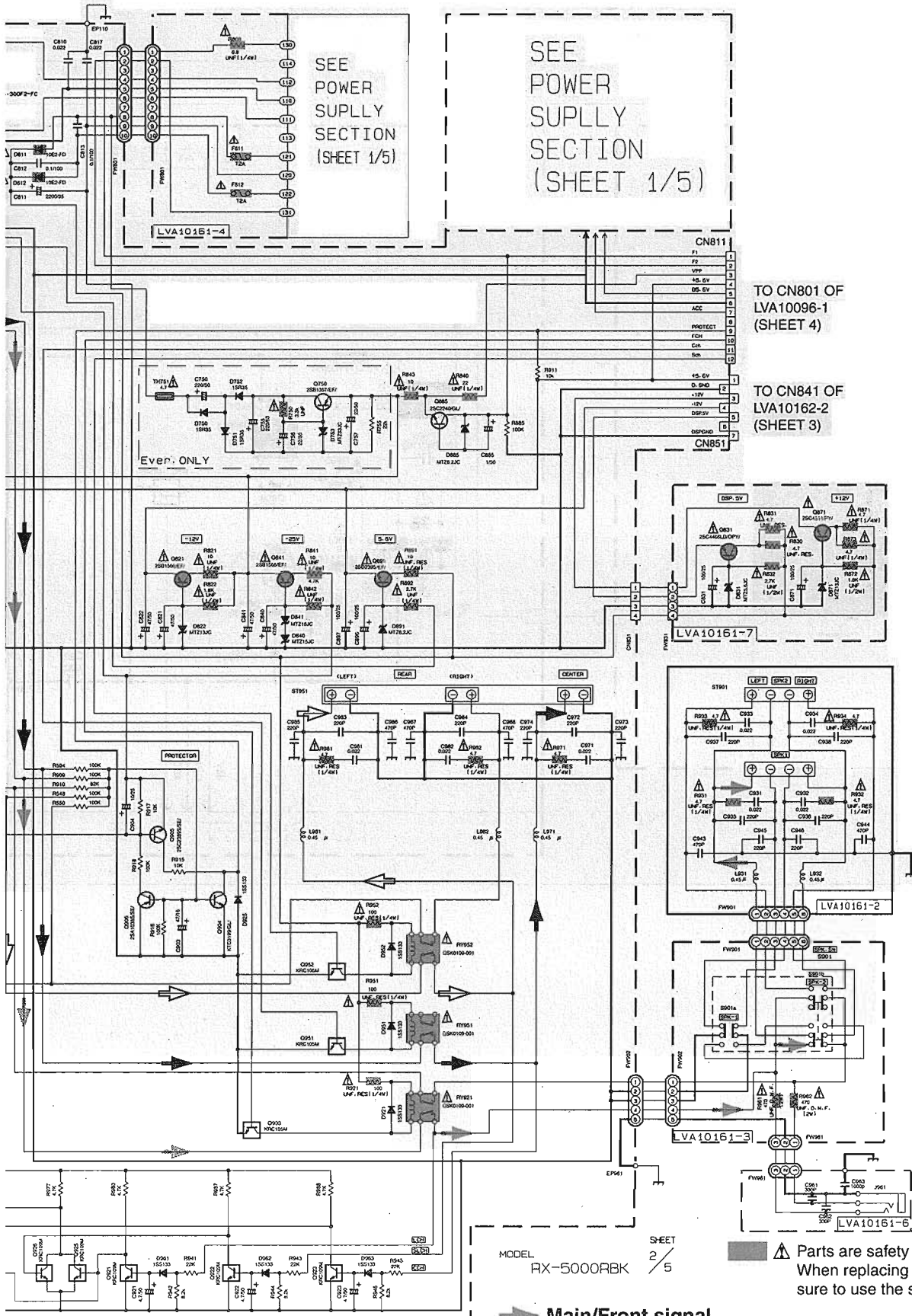
MODEL
RX-5000RBK

SHEET
1/5

Audio AMP / Power supply section



RX-5000RBK



SEE POWER SUPPLY SECTION (SHEET 1/5)

SEE POWER SUPPLY SECTION (SHEET 1/5)

TO CN801 OF LVA10096-1 (SHEET 4)

TO CN841 OF LVA10162-2 (SHEET 3)

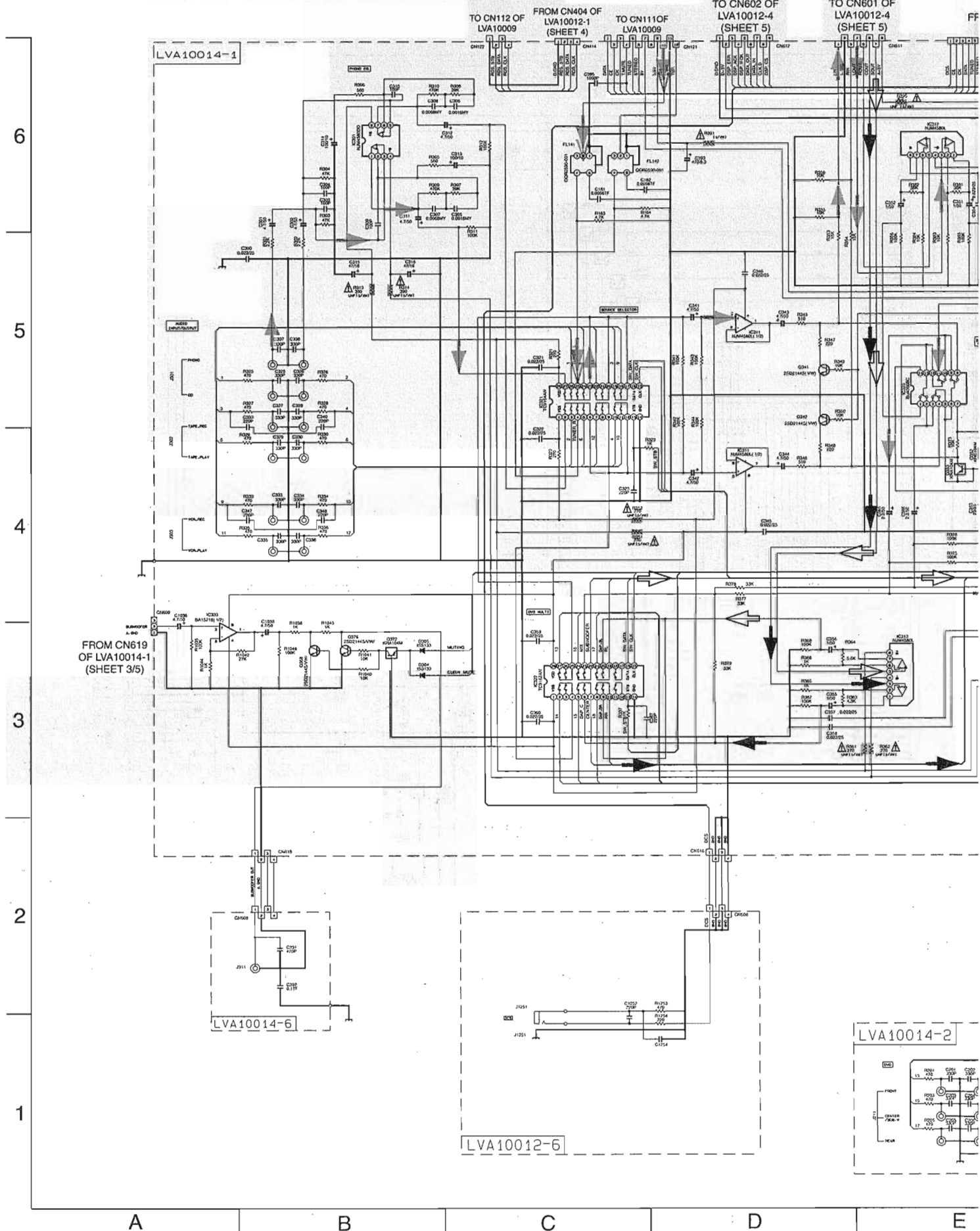
MODEL RX-5000RBK SHEET 2/5

⚠ Parts are safety assurance parts. When replacing those parts make sure to use the specified one.

➔ Main/Front signal
 ➔ Surround signal
 ➔ Center signal

E F G H I

Audio IN/OUT & Source selector section



A

B

C

D

E

6

5

4

3

2

1

LVA10014-1

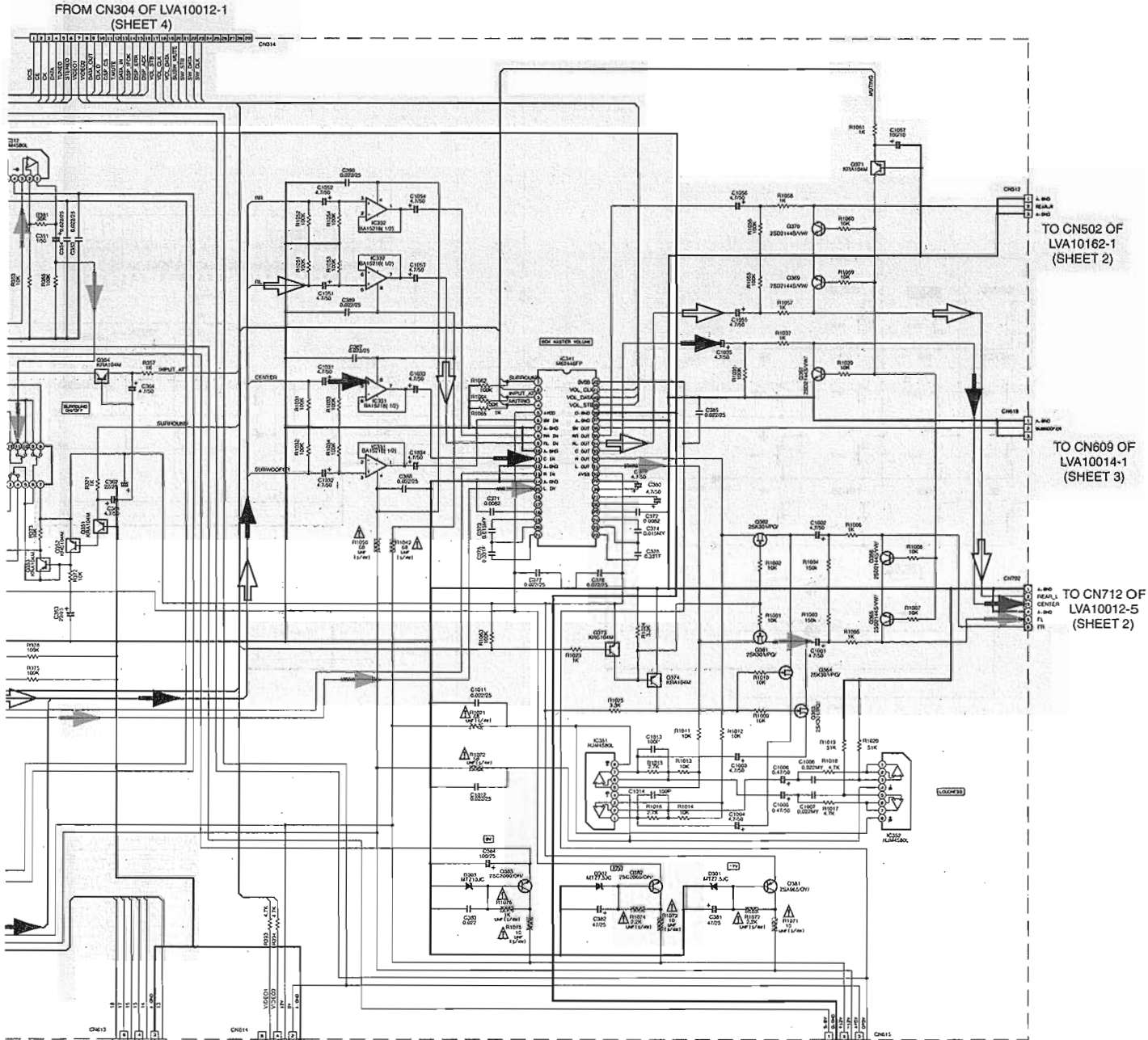
LVA10012-6

LVA10014-6

LVA10014-2

FROM CN619 OF LVA10014-1 (SHEET 3/5)

TO CN112 OF LVA10009 FROM CN404 OF LVA10012-1 (SHEET 4) TO CN111 OF LVA10009 TO CN602 OF LVA10012-4 (SHEET 5) TO CN601 OF LVA10012-4 (SHEET 5) FF

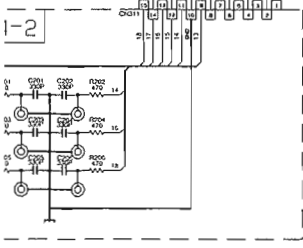


MODEL
RX-5000RBK

SHEET
3 / 5

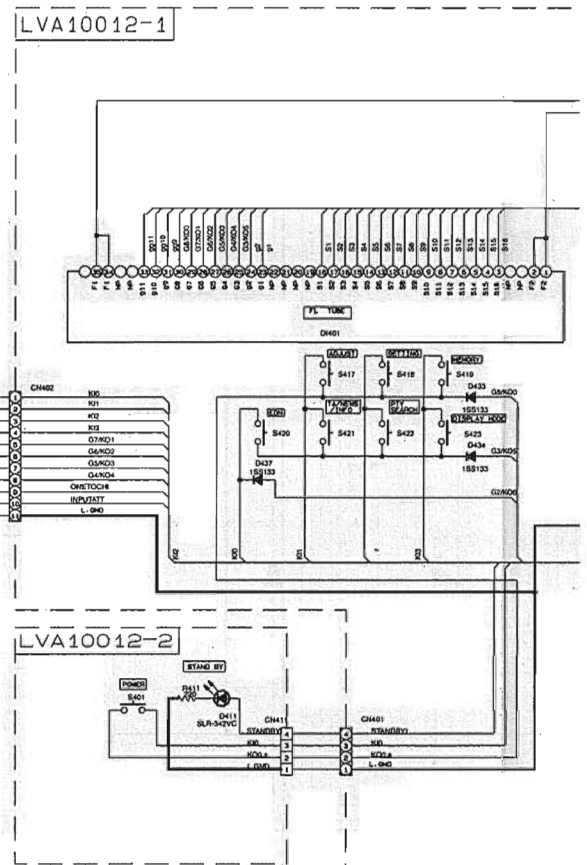
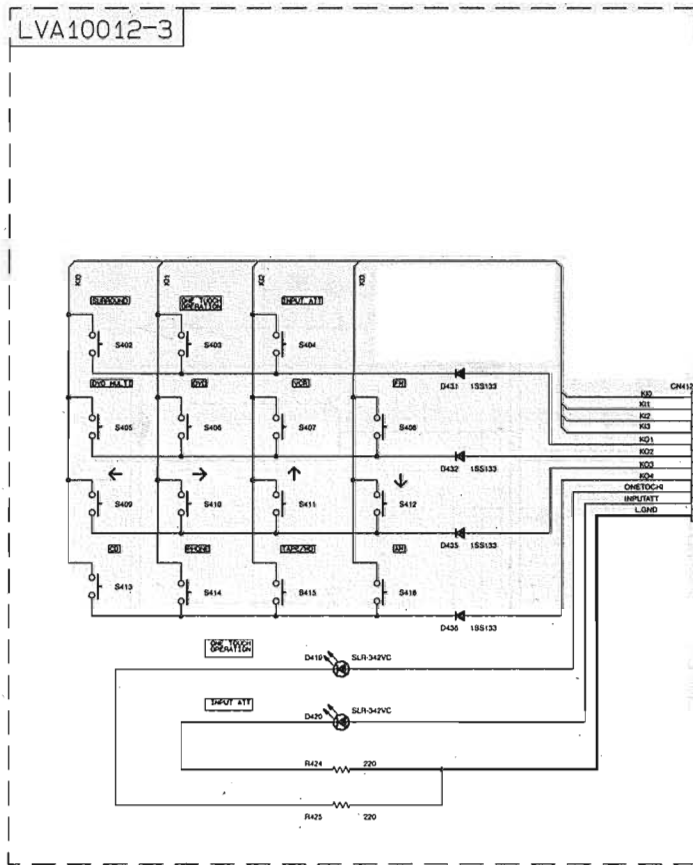
▲ Parts are safety assurance parts.
When replacing those parts make
sure to use the specified one.

➡ Main/Front signal ➡ Center signal
➡ Surround signal ➡ Tuner signal



E F G H I

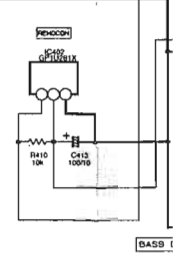
System control & operation switch section



- CN304
- 1 DCS
- 2 CK R444 220
- 3 DATA R446 220
- 4 TUNED R442 220
- 5 STEREO R445 220
- 6 VIDEO1 R441 220
- 7 VIDEO2 R444 220
- 8 STATUSD R443 220
- 9 CLK.D R451 220
- 10 DSP_CS R445 220
- 11 T.MUTE R426 220
- 12 COMMANDD R442 220
- 13 DSP_IFCLK R441 220
- 14 DSP_ERR R438 220
- 15 DSP_ACK R435 220
- 16 VOL_STB R423 220
- 17 VOL_CLK R424 220
- 18 VOL_DATA R422 220
- 19 R440 220
- 20 SW_STB R425 220
- 21 SW_DATA R425 220
- 22 SW_CLK R425 220
- 23 YC1 R437 220
- 24 DV
- 25 VOL_SCC R436 220
- 26 R438 220
- 27
- 28
- CN414
- 1 R05 CLK
- 2 R05 DATA
- 3 R05 G BT
- 4 L.DND

TO CN314 of LVA10014-1
(SHEET 3/5)

TO CN414 of LVA10014-1
(SHEET 3/5)

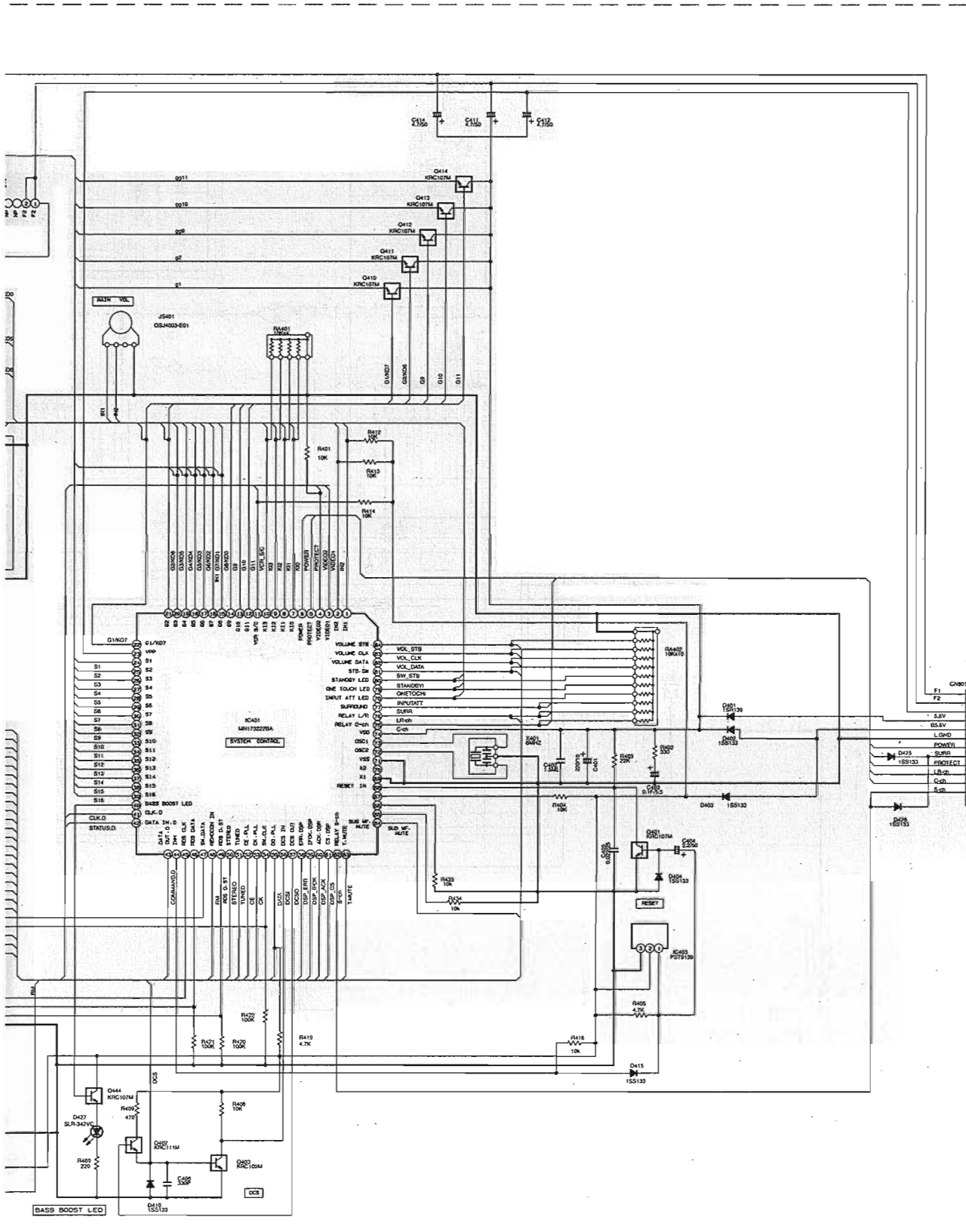


BASS T

6
5
4
3
2
1

A B C D E

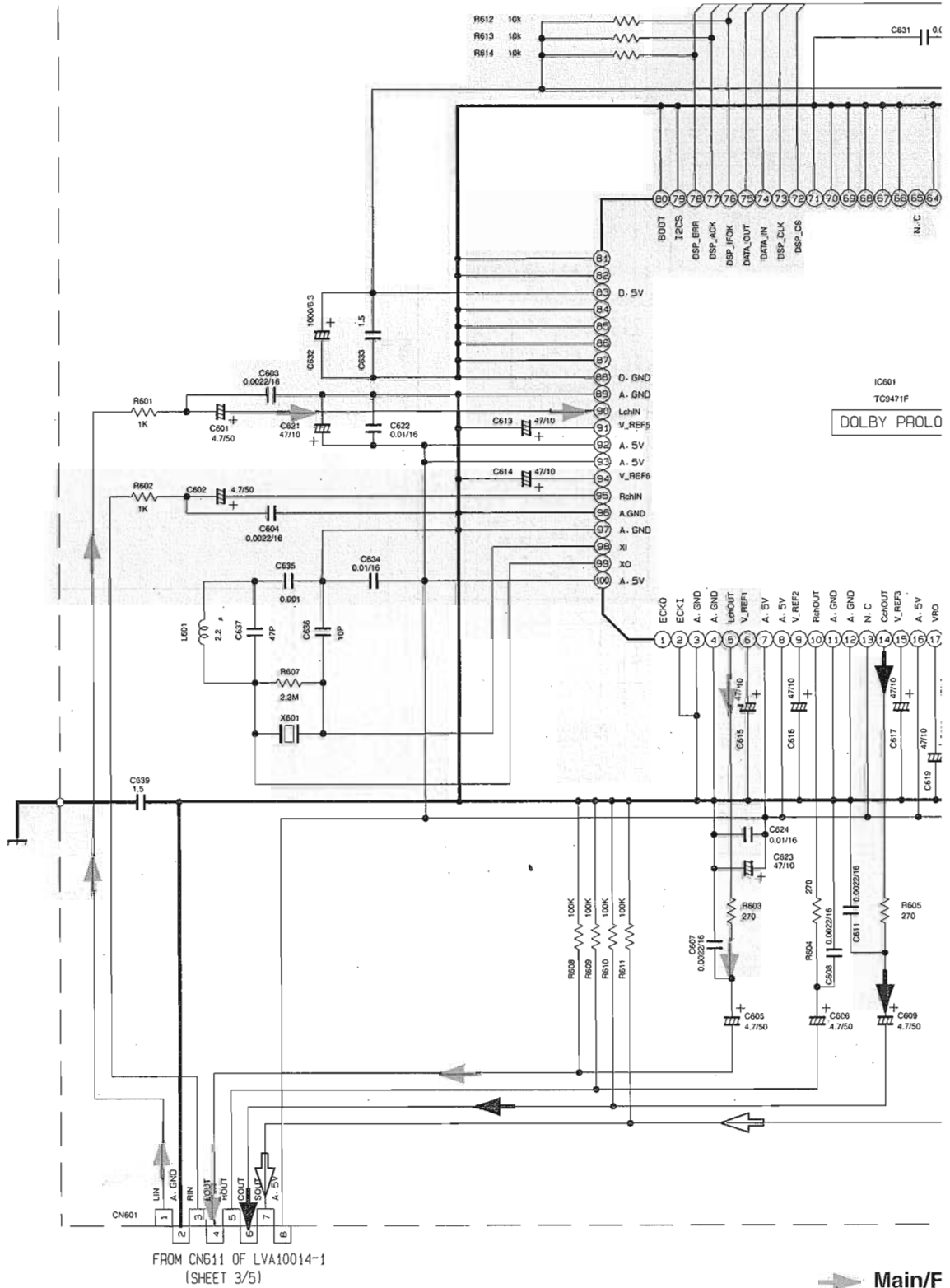
RX-5000RBK



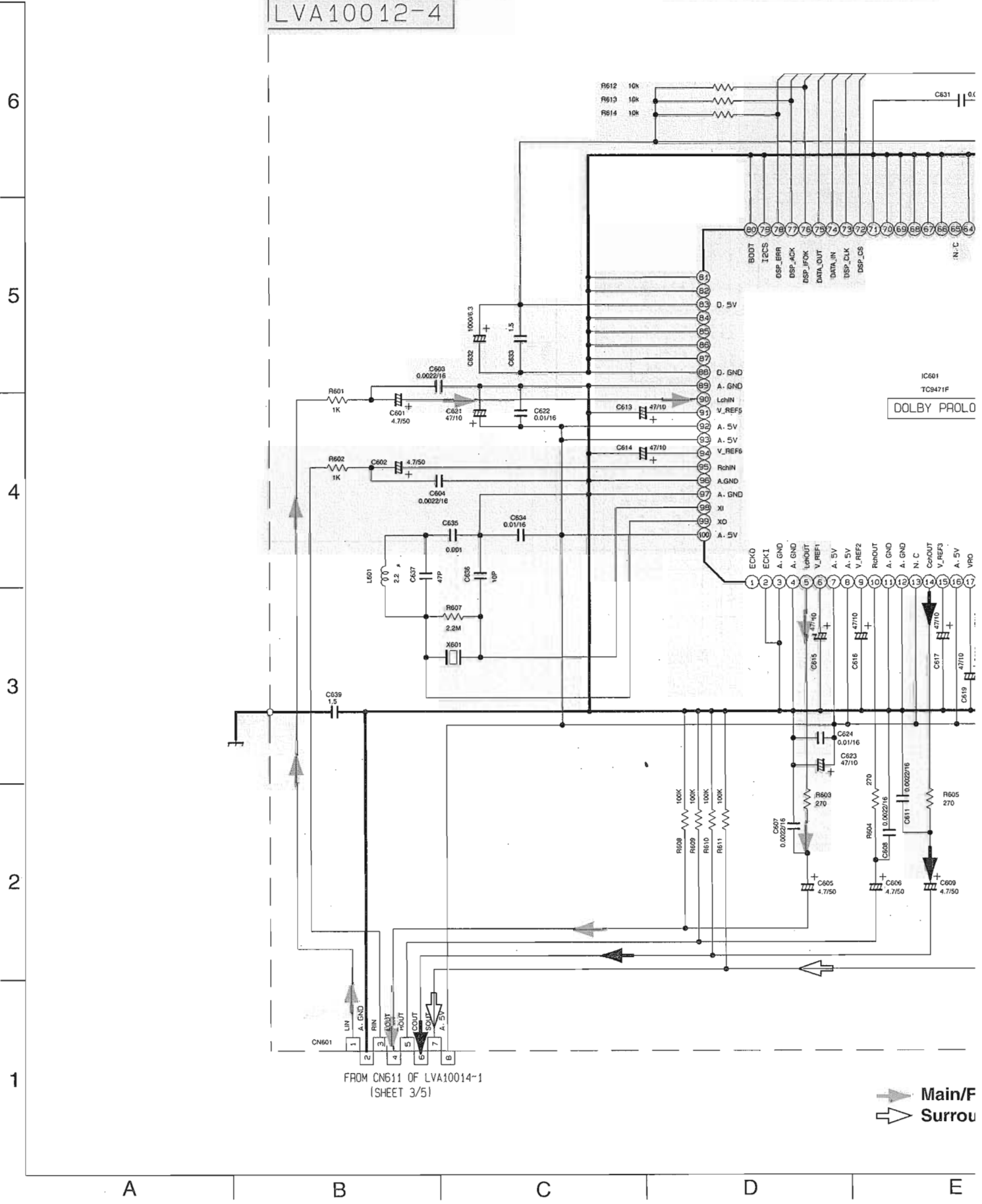
FROM D811 OF ENG14-1
(SHEET 2/5)

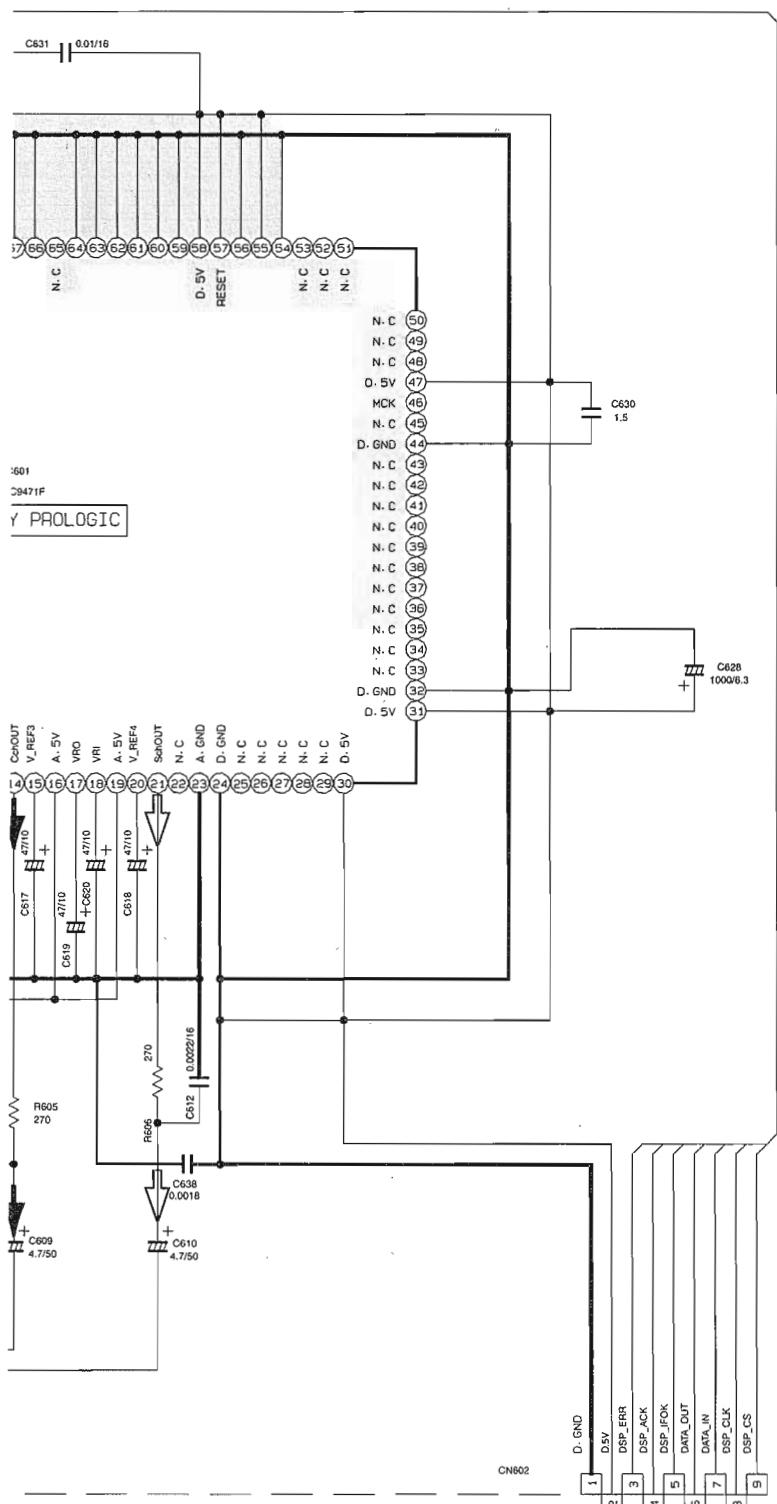
■ DSP Control section

LVA10012-4



FROM CN611 OF LVA10014-1
(SHEET 3/5)





Main/Front signal Center signal
 Surround signal

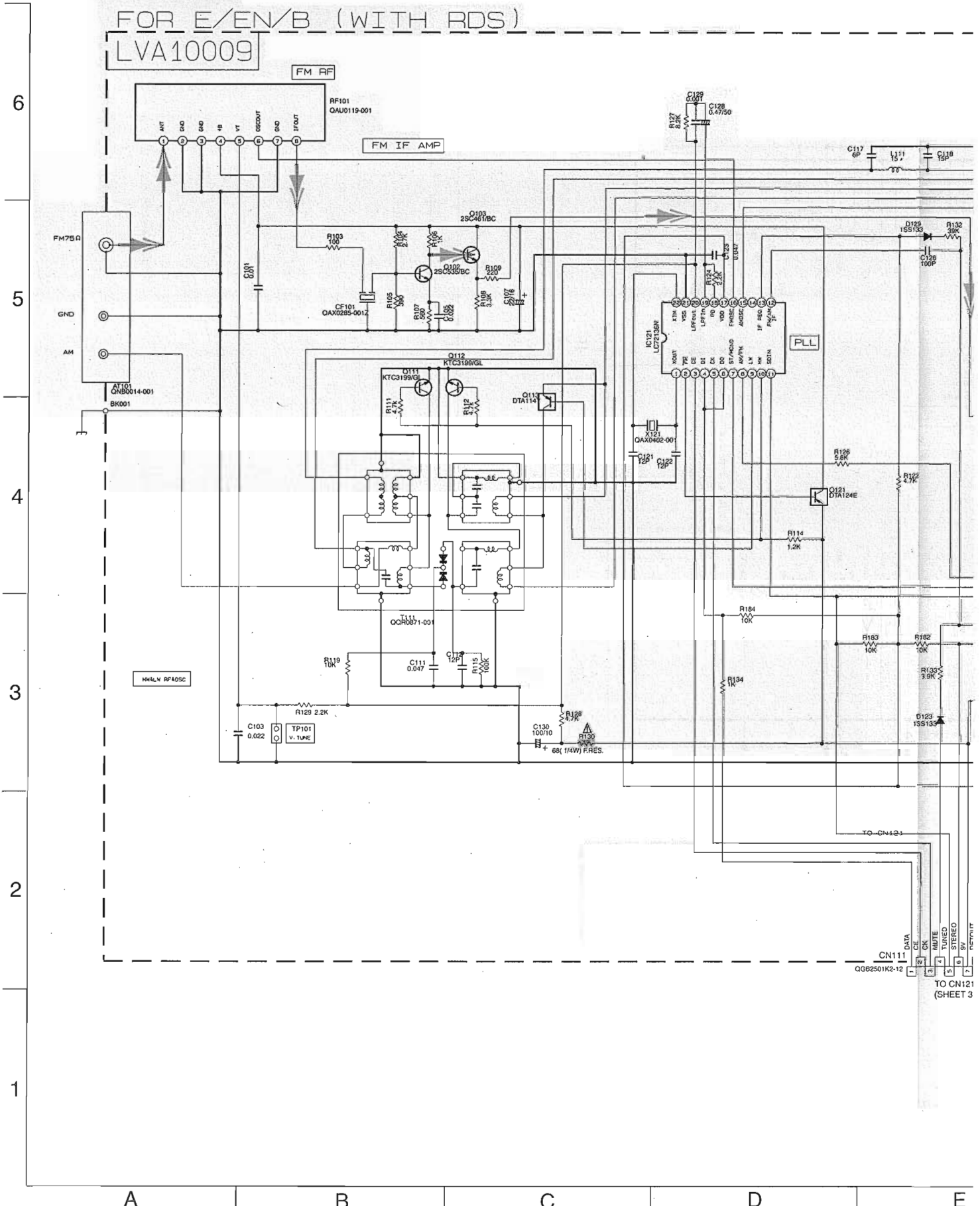
MODEL
 RX-5000RBK
 SHEET
 5 / 5

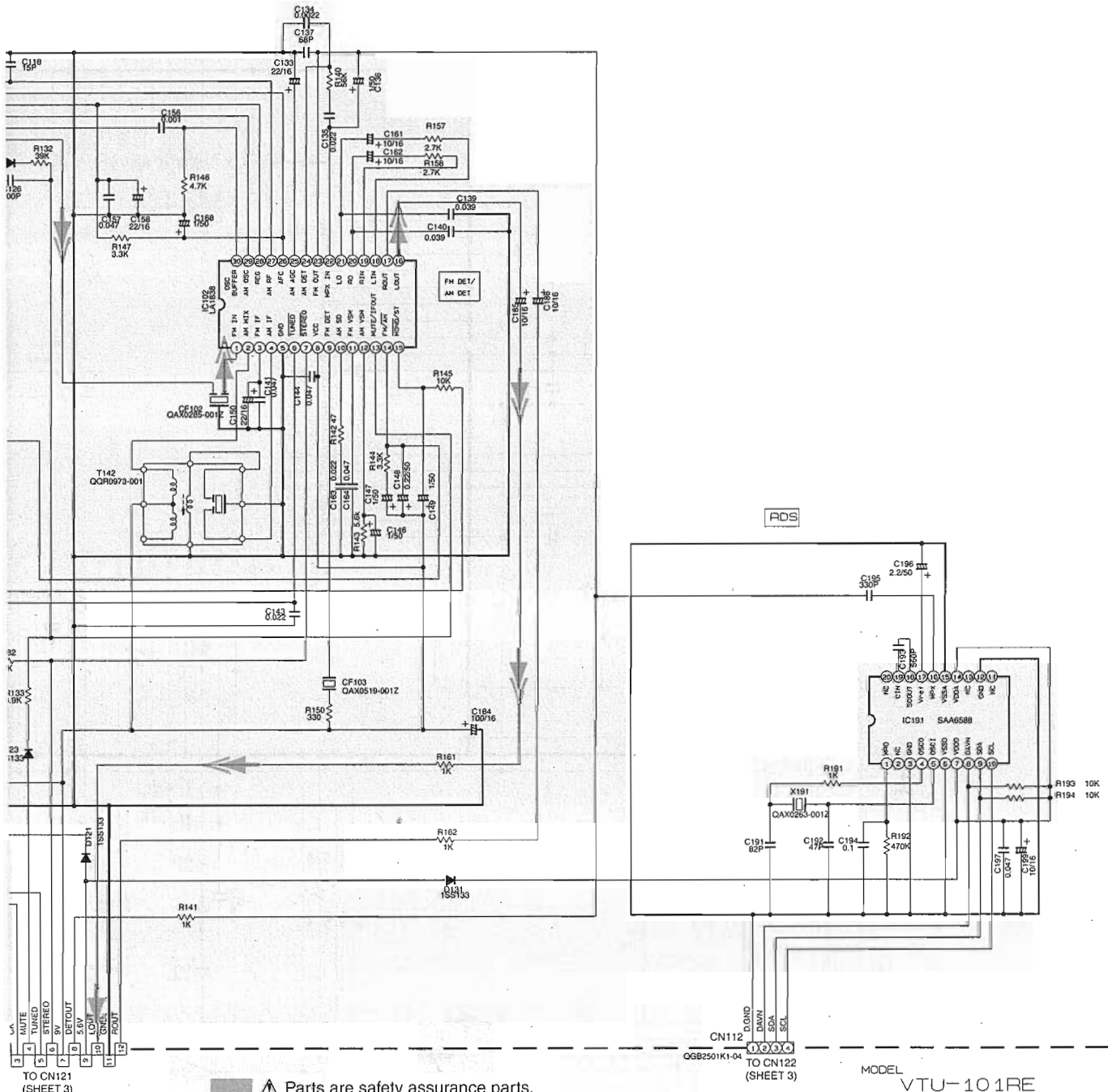
FROM CN612 OF LVA10014-1
 (SHEET 3/5)

■ Tuner section

FOR E/EN/B (WITH RDS)

LVA10009





TO CN121 (SHEET 3)

CN112 GND DMW SDA SCL TO CN122 (SHEET 3)

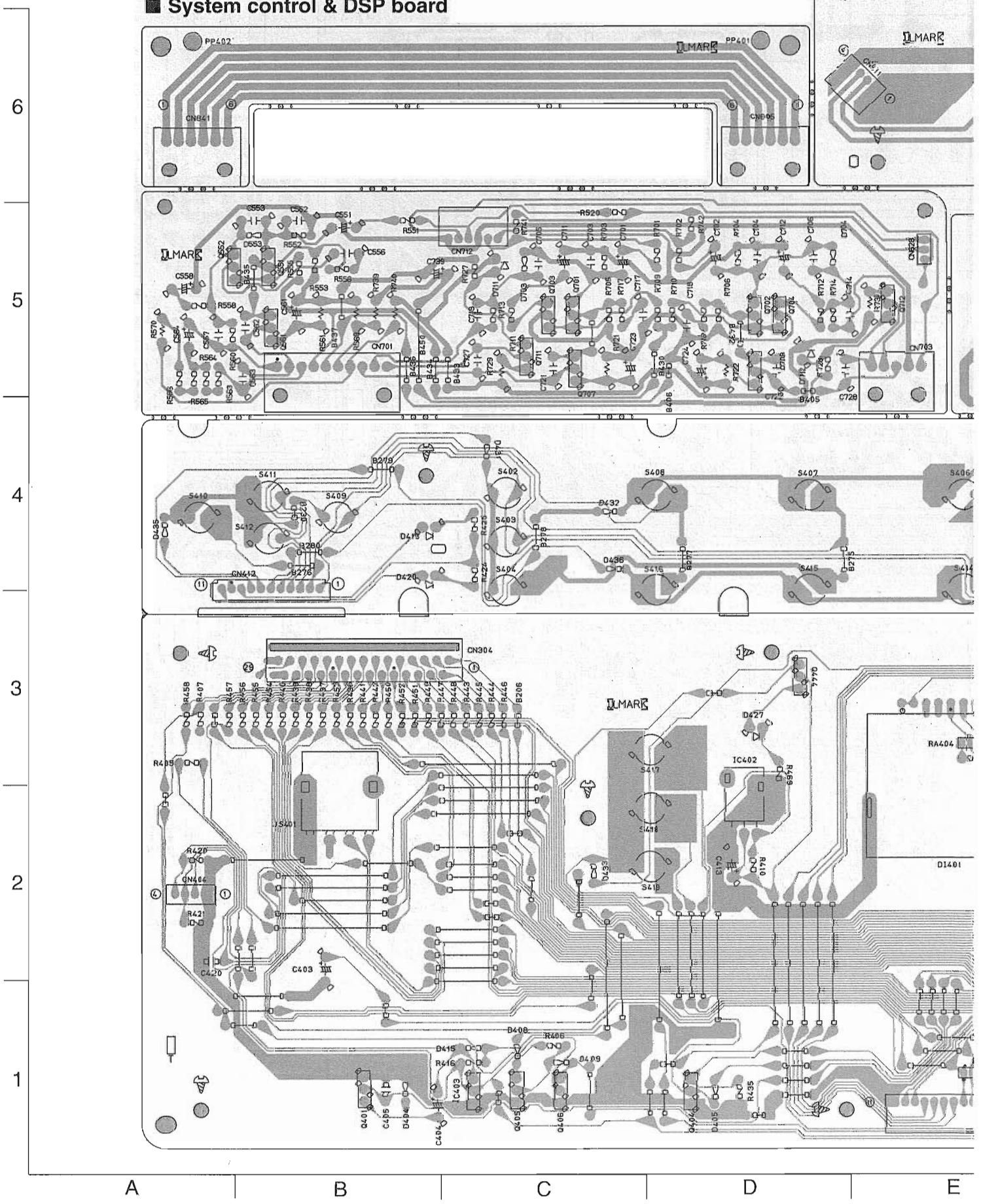
MODEL VTU-101RE

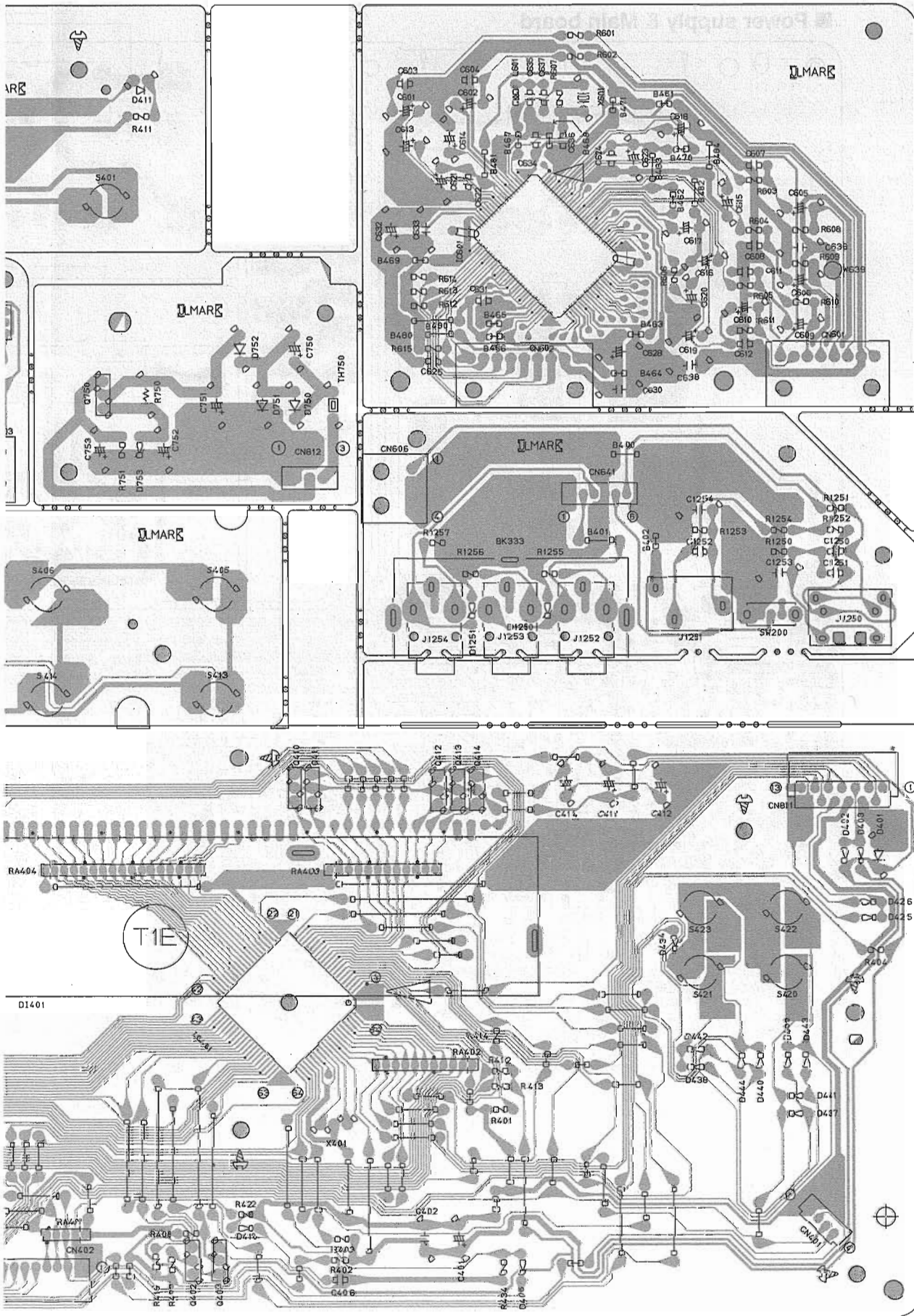
Parts are safety assurance parts. When replacing those parts make sure to use the specified one.

FM / Tuner signal

Printed circuit boards

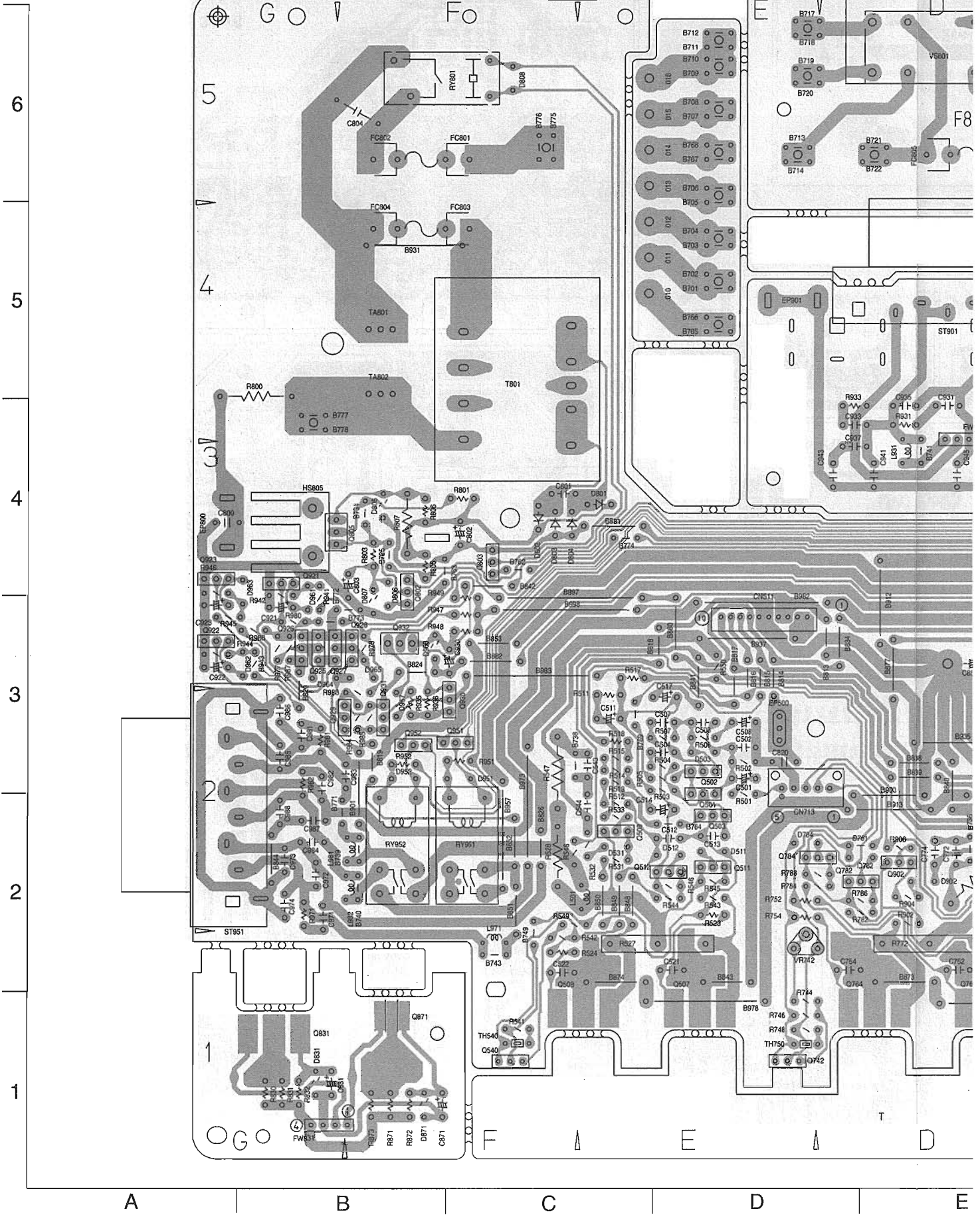
■ System control & DSP board



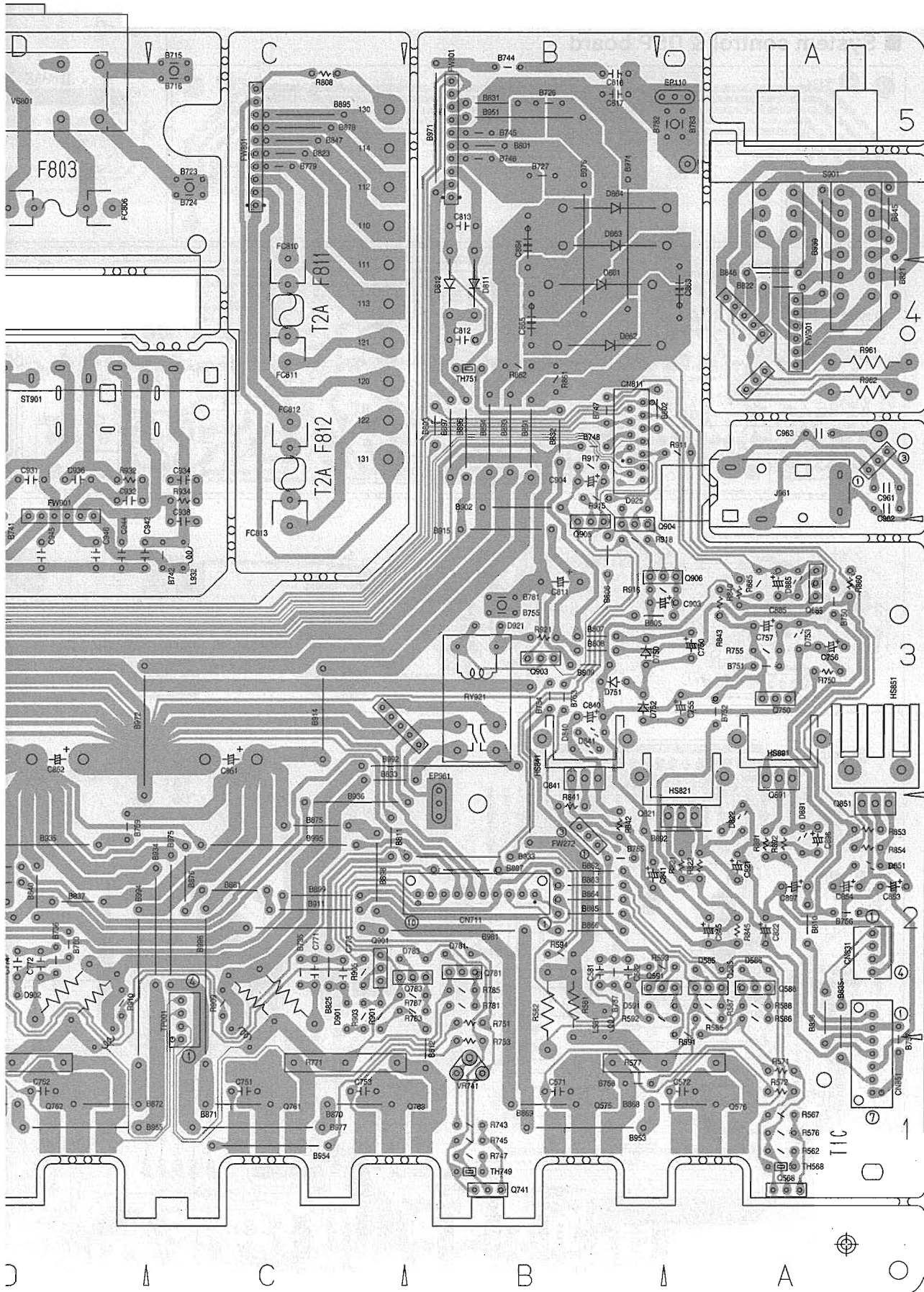


E F G H I

■ Power supply & Main board



RX-5000RBK



E

F

G

H

I

AV Input/output board

6

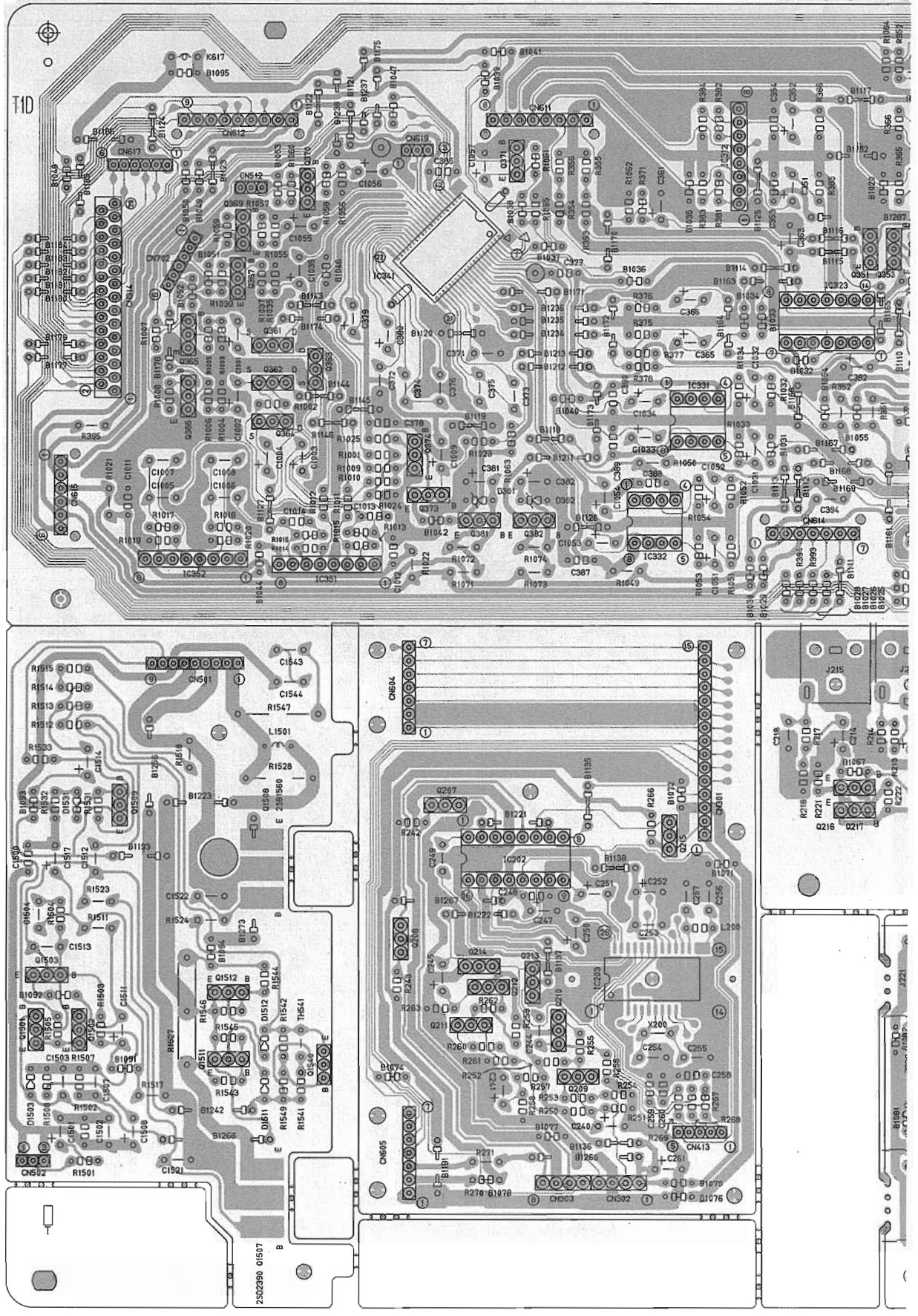
5

4

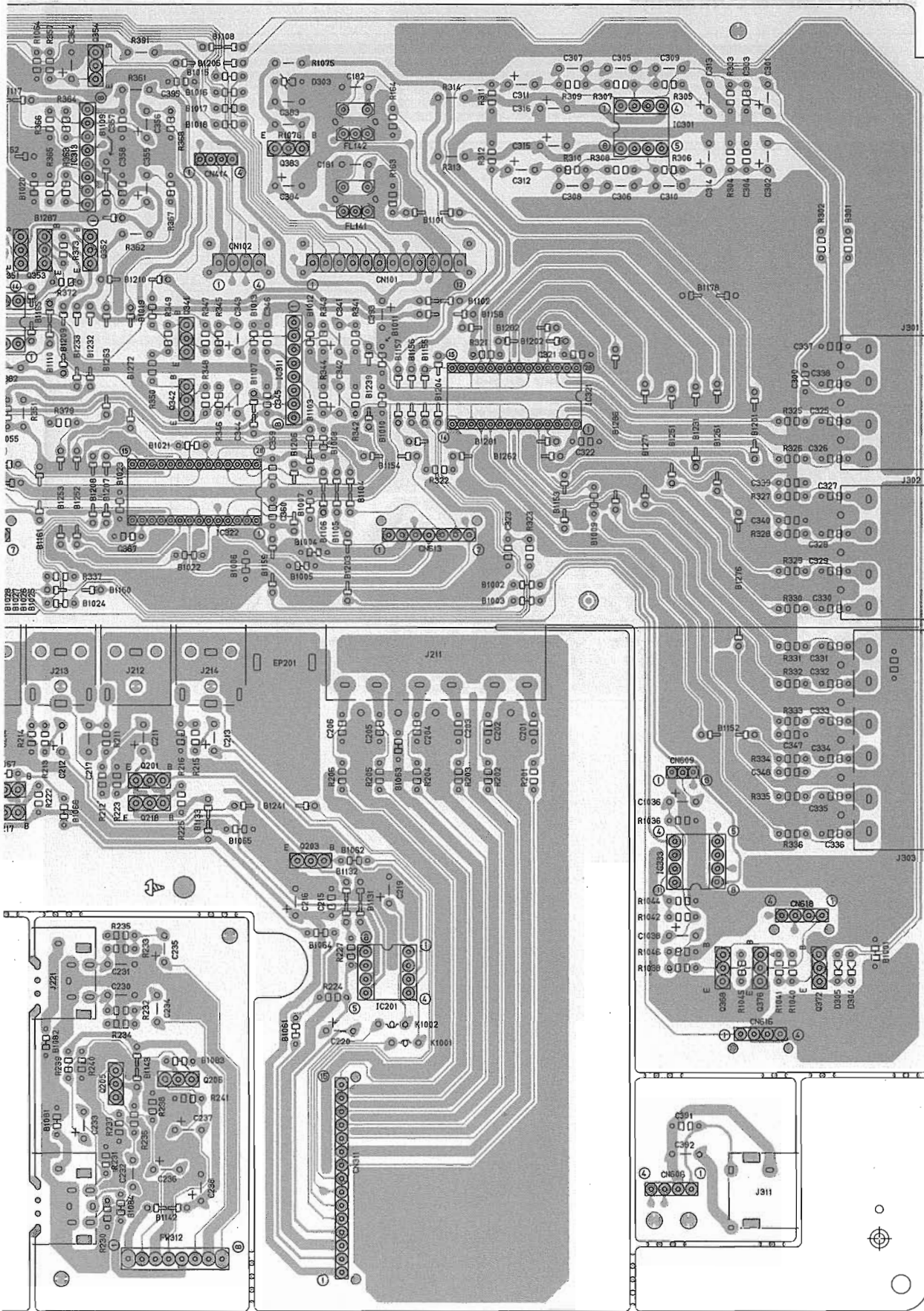
3

2

1

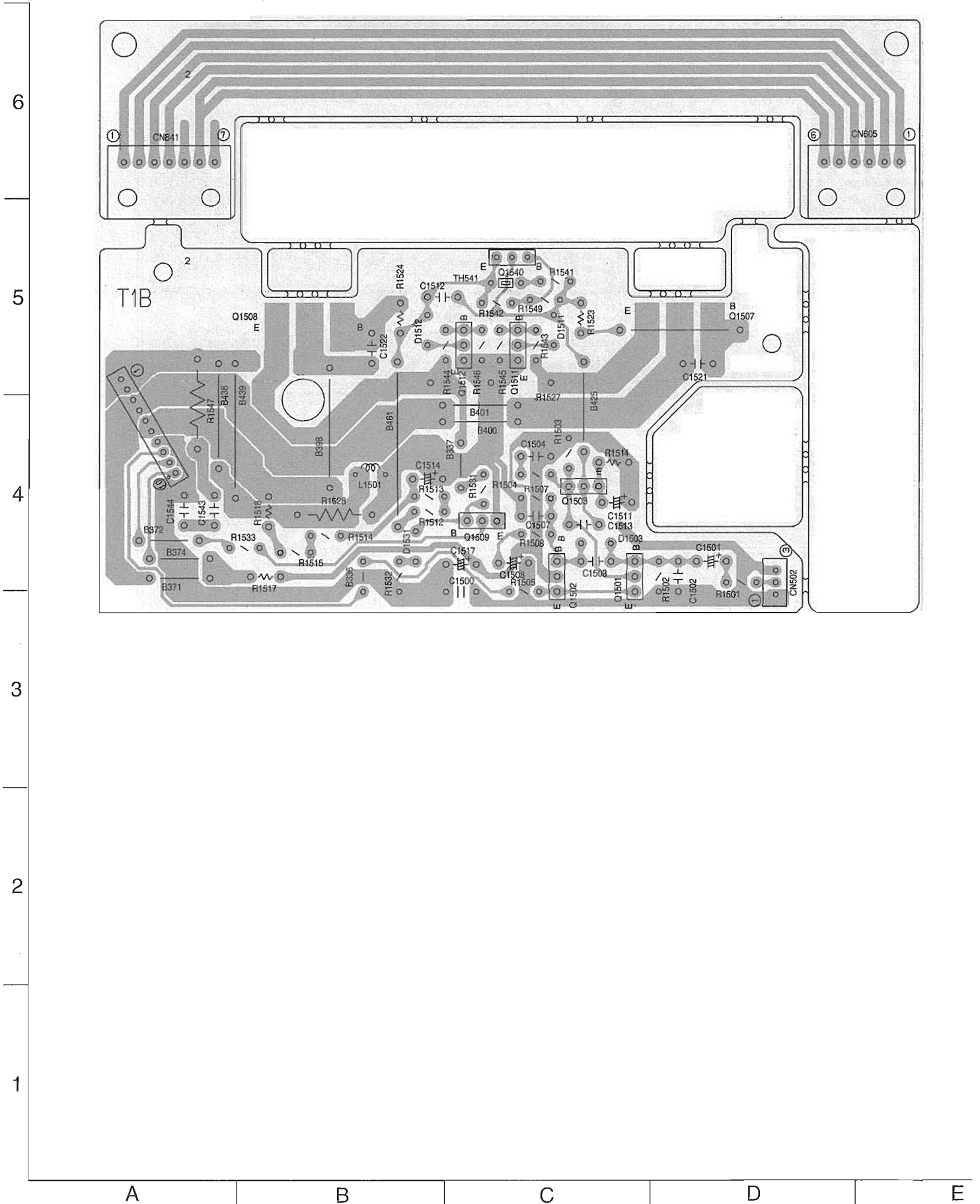


A B C D E

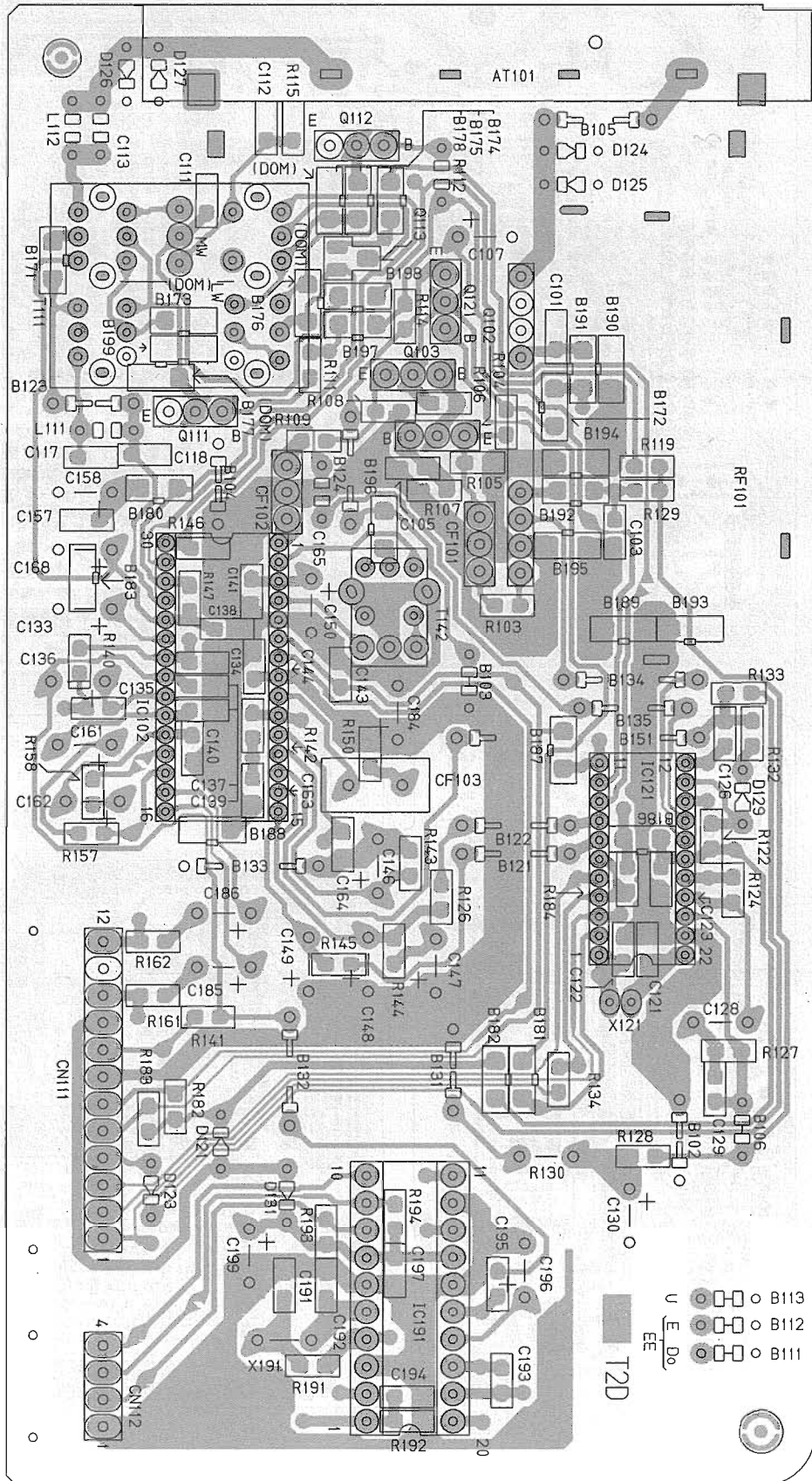


E F G H I

■ Rear Rch AMP. & connection board



■ Tuner board



E

F

G

H

I

PARTS LIST

[RX-5000RBK]

* All printed circuit boards and its assemblies are not available as service parts.

Area suffix	
B	U.K.
E	Continental Europe
EN	Northern Europe

- Contents -

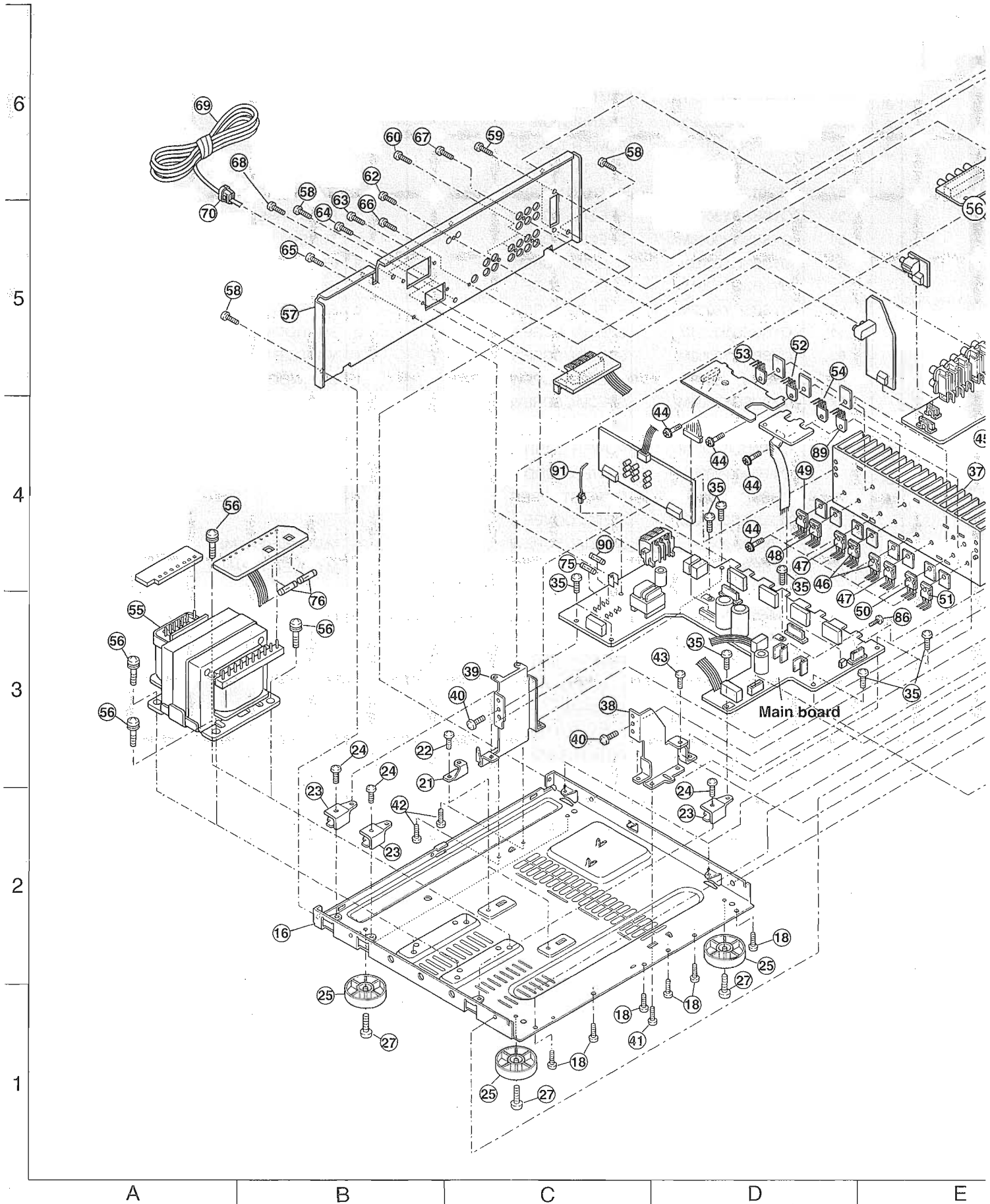
Exploded view of general assembly and parts list	3-3
Electrical parts list	3-5
Packing materials and accessories parts list	3-16

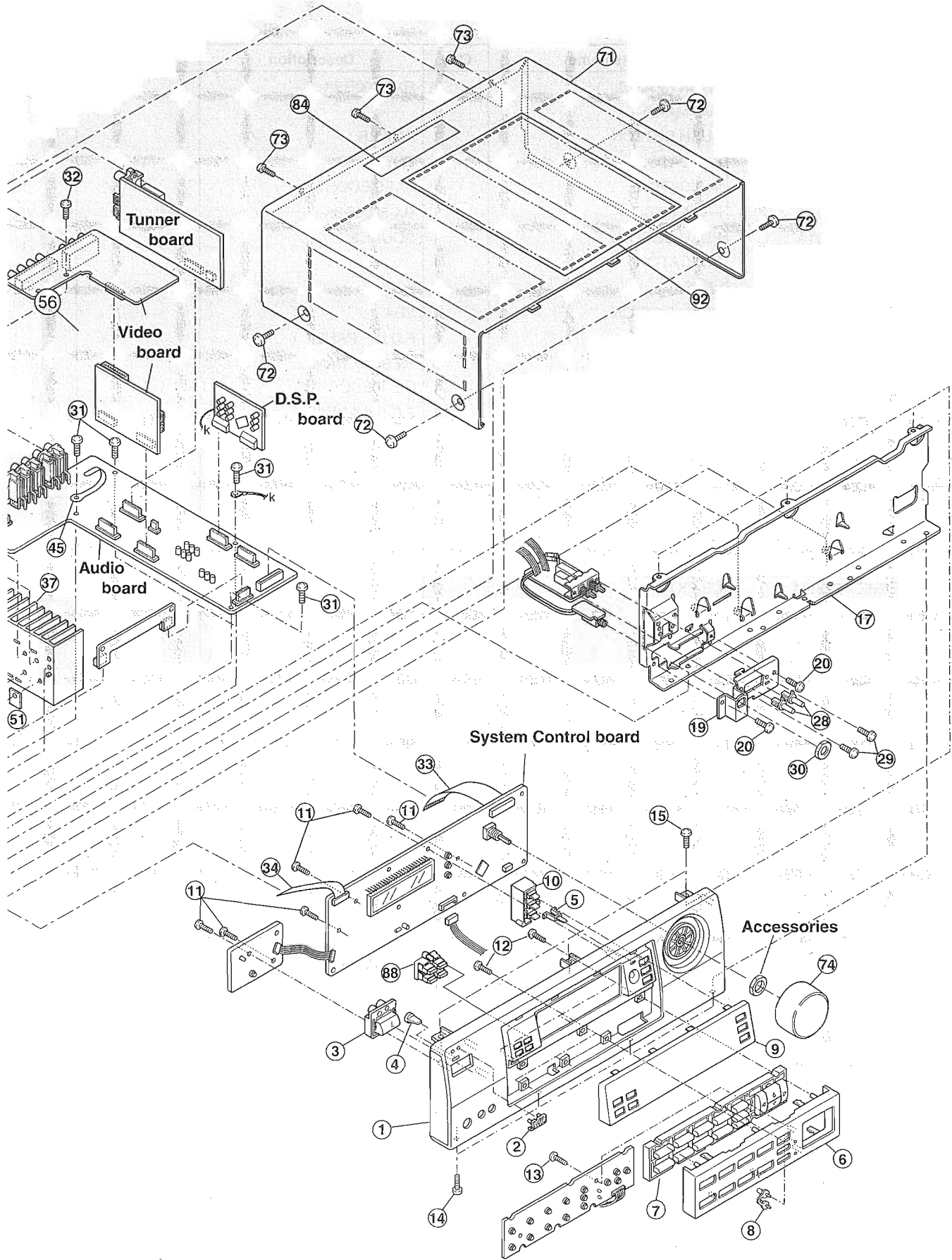
RX-5000RBK

<<MEMO>>

Exploded view of general assembly and parts list

Block No. M 1 M M





Parts list (General assembly)

Block No. M1MM

△	Item	Parts number	Parts name	Q'ty	Description	Area
	1	LV10128-021A	FRONT PANEL	1	RX-5000RBK	
	2	VJD5429-001SS	JVC MARK	1		
	3	LV30684-002A	PUSH BUTTON	1	POWER	
	4	FSJD4001-002	INDICATOR	1	POWER	
	5	LV40767-001A	INDICATOR	1	BASS BOOST	
	6	LV20228-007A	FRONT ESC.	1	RX-5000RBK	
	7	LV20227-001A	PUSH BUTTON	1	SOURCE	
	8	LV40604-001A	INDICATOR	1		
	9	LV20229-014A	LENS	1		
	10	LV30685-001A	PUSH BUTTON	1	SEA	
	11	QYSDSF2608Z	SCREW	6	F.C.B-F.PANEL	
	12	QYSDSF2608Z	SCREW	6	F.ESC.-F.PANEL	
	13	QYSDSF2608Z	SCREW	1	C.B-F.ESC.	
	14	QYSDSG3008M	SCREW	4	F.P-F.B(LOW)	
	15	QYSBSG3008E	T.SCREW	3	F.P-F.B(UP)	
	16	LE10081-004A	CHASSIS BASE	1	C.B BKTbf	
	17	LV20230-001A	FRONT BKT	1		
	18	QYSBSG3008E	T.SCREW	6	C.B-F.B	
	19	LV30687-001A	BRACKET	1		
	20	QYSBSG3008E	T.SCREW	2	BKT-F.B	
	21	E68587-223SM	CB BKT	2		
	22	QYSBST3006E	T.SCREW	2	C.B-BKT	
	23	LE40138-001A	BRACKET	3		
	24	QYSBSG3008E	T.SCREW	3	BKT-C.B	
	25	QZF6018-001	FOOT	4		
	27	QYSBST3010Z	T.SCREW	4	FOOT	
	28	E407321-002SM	PUSH BUTTON	2	SPK	
	29	QYSBST3006E	T.SCREW	2	SPK SW C.B	
	30	VKZ4150-001	SPECIAL NUT	1		
	31	QYSBSG3008E	T.SCREW	4	PRI.C.B-FRAME	
	32	QYSBSG3008E	T.SCREW	1		
	33	QUQC12-2918CJ	FFC WIRE	1	FW304	
	34	QUQC12-1316CJ	FFC WIRE	1	FW811	
	35	QYSBSG3008E	T.SCREW	8		
	37	LV30351-202A	HEAT SINK	1		
	38	E310171-001SM	H.S BKT	1	FRONT SIDE	
	39	E310172-001SM	H.S BKT	1	REAR SIDE	
	40	QYSBSG3008E	T.SCREW	2	H.S BKT-H.S	
	41	QYSDSG3008M	SCREW	1	H.BKT(F)-C.BASE	
	42	QYSDSG3008M	SCREW	2	H.BKT(R)-C.BASE	
	43	QYSBSG3008E	T.SCREW	1	H.BKT(F)-F.BKT	
	44	E73525-003SS	SCREW	12	P.TR	
	45	VKZ4001-111S	WIRE CLAMP	1		
△	46	2SD2488/Z1/-F1	TRANSISTOR	1	Q762	
△		2SD2488/Z1/-F1	TRANSISTOR	1	Q761	
△	47	2SB1620/OP/-F1	TRANSISTOR	1	Q764	
△		2SB1620/OP/-F1	TRANSISTOR	1	Q763	
△	48	2SD2390LD/OPY/	TRANSISTOR	1	Q507	

RX-5000RBK

■ Parts list (General assembly)

Block No. M1MM

△	Item	Parts number	Parts name	Q'ty	Description	Area
△	49	2SB1560LD/OPY/	TRANSISTOR	1	Q508	
△	50	2SD2390LD/OPY/	TRANSISTOR	1	Q575	
△	51	2SB1560LD/OPY/	TRANSISTOR	1	Q576	
△	52	2SD2390LD/OPY/	TRANSISTOR	1	Q1507	
△	53	2SB1560LD/OPY/	TRANSISTOR	1	Q1508	
△	54	2SC4466LD/OPY/	TRANSISTOR	1	Q831	
△	55	QQT0300-001	POWER TRANSF	1		
	56	QYSDSTL4008E	SPECIAL SCREW	4	P.TRANS	
	57	LE20127-049A	REAR PANEL	1	RX-5000RBK	
	58	QYSBSGY3008M	SPECIAL SCREW	3	R.P-C.BASE	
	59	QYSBSGY3008M	SPECIAL SCREW	2	TUNER	
	60	QYSBSGY3008M	SPECIAL SCREW	3	INPUT	
	62	QYSBSGY3008M	SPECIAL SCREW	1	DCS	
	63	QYSBSGY3008M	SPECIAL SCREW	2	F.SPK	
	64	QYSBSGY3008M	SPECIAL SCREW	2	SURROUND	
	65	QYSBSGY3008M	SPECIAL SCREW	1	MAIN C.B	
	66	QYSBSGY3008M	SPECIAL SCREW	1	SUB.WOOF	
	67	QYSBSGY3008M	SPECIAL SCREW	1	DVD	
	68	QYSBSGY3008M	SPECIAL SCREW	1	BKT	
△	69	QMPN100-200-JD	POWER CORD	1		B
△		QMP3900-200L	POWER CORD	1		
△	70	QHS3771-108	CORD STOPPER	1		
△	71	LE20131-006A/S/	METAL COVER	1		
	72	E406308-003	SPECIAL SCREW	4	M.COVER-FRAME	
	73	QYSBSGY3008M	SPECIAL SCREW	3	M.COVER-R.PANEL	
	74	LV30480-004A	VOL KNOB ASS'Y	1		
△	75	QMF51E2-2R5-J1	FUSE	1	F801	
△	76	QMF51E2-2R0-J1	FUSE	1	F812	
△		QMF51E2-2R0-J1	FUSE	1	F811	
	84	E409396-001	CAUTION LABEL	1		
	86	QYSBSG3008E	T.SCREW	2		
	88	LV30686-001A	PUSH BUTTON	1	RDS	
△	89	2SC4511/PY/-F3	POW TRANSISTOR	1	Q871	
△	90	QMF51E2-R10-J1	FUSE	1	F802	
	91	E307572-001	FASTENER	1		
	92	E208294-001SM	PROTECT SHEET	1	M.COVER	

■ Electrical parts list (System control & DSP board) Block No. 01

▲	Item	Parts number	Parts name	Remarks	Area	▲	Item	Parts number	Parts name	Remarks	Area
	C401	QEK1AM-227Z	E.CAPA I.M	220MF 20% 10V			C713	QCS11HJ-220	C CAPACITOR	22PF 5% 50V	
	C402	QCZ0202-155Z	ML C CAP I/M	1.5MF			C714	QCS11HJ-220	C CAPACITOR	22PF 5% 50V	
	C403	QEZ0227-479Z	EDL CAPACITOR	47000MF			C717	QCB31HK-152Z	C CAPACITOR	1500PF 10% 50V	
	C404	QEK1HM-225Z	E.CAPA I.M	2.2MF 20% 50V			C718	QCB31HK-152Z	C CAPACITOR	1500PF 10% 50V	
	C405	QDVB1EZ-223Y	C CAPACITOR				C721	QCS32HJ-220Z	C CAPACITOR	22PF 5% 500V	
	C406	QCB1HK-331Y	C CAPACITOR	330PF 10% 50V			C722	QCS32HJ-220Z	C CAPACITOR	22PF 5% 500V	
	C411	QEK1HM-475Z	E.CAPACITOR	4.7MF 20% 50V			C723	QETN1HM-225Z	E CAPACITOR	2.2MF 20% 50V	
	C412	QEK1HM-475Z	E.CAPACITOR	4.7MF 20% 50V			C724	QETN1HM-225Z	E CAPACITOR	2.2MF 20% 50V	
	C413	QEK1AM-107Z	E.CAPACITOR	100MF 20% 10V			C727	QFLC1HJ-103Z	M CAPACITOR	.010MF 5% 50V	
	C414	QEK1HM-475Z	E.CAPACITOR	4.7MF 20% 50V			C728	QFLC1HJ-103Z	M CAPACITOR	.010MF 5% 50V	
	C551	QETN1HM-106Z	E CAPACITOR	10MF 20% 50V			C739	QETN1JM-107Z	E CAPACITOR	100MF 20% 63V	
	C552	QCS31HJ-271Z	C CAPACITOR	270PF 5% 50V			D401	1SR139-400-T4	DIODE I.M		
	C553	QCS11HJ-221	C CAPACITOR	220PF 5% 50V			D402	1SS133-T2	SI DIODE		
	C556	QCB31HK-152Z	C CAPACITOR	1500PF 10% 50V			D403	1SS133-T2	SI DIODE		
	C557	QCS11HJ-220	C CAPACITOR	22PF 5% 50V			D404	1SS133-T2	SI DIODE		
	C558	QETN1CM-476Z	E CAPACITOR	47MF 20% 16V			D410	1SS133-T2	SI DIODE		
	C561	QETN1HM-225Z	E CAPACITOR	2.2MF 20% 50V			D411	SLR-342VC-T	LED	(STAND-BY)	
	C562	QCS32HJ-330Z	C CAPACITOR	33PF 5% 500V			D415	1SS133-T2	SI DIODE		
	C563	QFLC1HJ-103Z	M CAPACITOR	.010MF 5% 50V			D419	SLR-342VC-T	LED	ONE TOUCH	
	C564	QETN1HM-476Z	E CAPACITOR	47MF 20% 50V			D420	SLR-342VC-T	LED	INPUT ATT	
	C601	QETN1HM-475Z	E CAPACITOR	4.7MF 20% 50V			D425	1SS133-T2	SI DIODE		
	C602	QETN1HM-475Z	E CAPACITOR	4.7MF 20% 50V			D426	1SS133-T2	SI DIODE		
	C603	QDXB1CM-222Y	C.CAPA IM				D427	SLR-342VC-T	LED		
	C604	QDXB1CM-222Y	C.CAPA IM				D431	1SS133-T2	SI DIODE		
	C605	QETN1HM-475Z	E CAPACITOR	4.7MF 20% 50V			D432	1SS133-T2	SI DIODE		
	C606	QETN1HM-475Z	E CAPACITOR	4.7MF 20% 50V			D433	1SS133-T2	SI DIODE		
	C607	QDXB1CM-222Y	C.CAPA IM				D434	1SS133-T2	SI DIODE	RDS KEY	
	C608	QDXB1CM-222Y	C.CAPA IM				D435	1SS133-T2	SI DIODE		
	C609	QETN1HM-475Z	E CAPACITOR	4.7MF 20% 50V			D436	1SS133-T2	SI DIODE		
	C610	QETN1HM-475Z	E CAPACITOR	4.7MF 20% 50V			D437	1SS133-T2	SI DIODE	(BAND0)	
	C611	QDXB1CM-222Y	C.CAPA IM				D553	1SS133-T2	SI DIODE		
	C612	QDXB1CM-222Y	C.CAPA IM				D703	1SS133-T2	SI DIODE		
	C613	QETN1CM-476Z	E CAPACITOR	47MF 20% 16V			D704	1SS133-T2	SI DIODE		
	C614	QETN1CM-476Z	E CAPACITOR	47MF 20% 16V			D711	SLR-342MC-T	LED		
	C615	QETN1CM-476Z	E CAPACITOR	47MF 20% 16V			D712	SLR-342MC-T	LED		
	C616	QETN1CM-476Z	E CAPACITOR	47MF 20% 16V			L601	QQL231K-2R2Y	INDUCTOR I.M		
	C617	QETN1CM-476Z	E CAPACITOR	47MF 20% 16V			Q401	KRC107M-T	D.TR.I.M		
	C618	QETN1CM-476Z	E CAPACITOR	47MF 20% 16V			Q402	KRC111M-T	TR I/M		
	C619	QETN1CM-476Z	E CAPACITOR	47MF 20% 16V			Q403	KRC109M-T	D.TR.I.M.		
	C620	QETN1CM-476Z	E CAPACITOR	47MF 20% 16V			Q410	KRC107M-T	D.TR.I.M		
	C621	QETN1CM-476Z	E CAPACITOR	47MF 20% 16V			Q411	KRC107M-T	D.TR.I.M		
	C622	QDYB1CM-103Y	C.CAPACITOR				Q412	KRC107M-T	D.TR.I.M		
	C623	QETN1CM-476Z	E CAPACITOR	47MF 20% 16V			Q413	KRC107M-T	D.TR.I.M		
	C624	QDYB1CM-103Y	C.CAPACITOR				Q414	KRC107M-T	D.TR.I.M		
	C628	QETN0JM-108Z	E CAPACITOR	1000MF 20% 6.3V			Q444	KRC107M-T	D.TR.I.M		
	C630	QCZ0202-155Z	ML C CAP I/M	1.5MF			Q551	2SC2240/L-T	TRANSISTOR		
	C631	QDYB1CM-103Y	C.CAPACITOR				Q552	2SC2240/L-T	TRANSISTOR		
	C632	QETN0JM-108Z	E CAPACITOR	1000MF 20% 6.3V			Q561	2SA1038S/SE-T	TRANSISTOR		
	C633	QCZ0202-155Z	ML C CAP I/M	1.5MF			Q701	2SC2240/L-T	TRANSISTOR		
	C634	QDYB1CM-103Y	C.CAPACITOR				Q702	2SC2240/L-T	TRANSISTOR		
	C635	QDGB1HK-102Y	C CAPACITOR				Q703	2SC2240/L-T	TRANSISTOR		
	C636	QCS11HJ-100	C CAPACITOR	10PF 5% 50V			Q704	2SC2240/L-T	TRANSISTOR		
	C637	QCS11HJ-470	C CAPACITOR	47PF 5% 50V			Q707	2SA1038S/SE-T	TRANSISTOR		
	C638	QCB31HK-182Z	C CAPACITOR	1800PF 10% 50V			Q708	2SA1038S/SE-T	TRANSISTOR		
	C639	QCZ0202-155Z	ML C CAP I/M	1.5MF			Q711	2SC2389S/SE-T	TRANSISTOR		
	C701	QETN1HM-106Z	E CAPACITOR	10MF 20% 50V			Q712	2SC2389S/SE-T	TRANSISTOR		
	C702	QETN1HM-106Z	E CAPACITOR	10MF 20% 50V			R401	QRE141J-103Y	C RESISTOR	10K 5% 1/4W	
	C703	QCS31HJ-271Z	C CAPACITOR	270PF 5% 50V			R402	QRE141J-331Y	C RESISTOR	330 5% 1/4W	
	C704	QCS31HJ-271Z	C CAPACITOR	270PF 5% 50V			R403	QRE141J-223Y	C RESISTOR	22K 5% 1/4W	
	C705	QCS11HJ-101	C CAPACITOR	100PF 5% 50V			R404	QRE141J-103Y	C RESISTOR	10K 5% 1/4W	
	C706	QCS11HJ-101	C CAPACITOR	100PF 5% 50V			R405	QRE141J-472Y	C RESISTOR	4.7K 5% 1/4W	
	C711	QETN1CM-107Z	E CAPACITOR	100MF 20% 16V			R408	QRE141J-103Y	C RESISTOR	10K 5% 1/4W	
	C712	QETN1CM-107Z	E CAPACITOR	100MF 20% 16V			R409	QRE141J-471Y	C RESISTOR	470 5% 1/4W	

RX-5000RBK

Electrical parts list(System control & DSP board) Block No. 01

Item	Parts number	Parts name	Remarks	Area
R410	QRE141J-103Y	C RESISTOR	10K 5% 1/4W	
R411	QRE141J-221Y	C RESISTOR	220 5% 1/4W	
R412	QRE141J-103Y	C RESISTOR	10K 5% 1/4W	
R413	QRE141J-103Y	C RESISTOR	10K 5% 1/4W	
R414	QRE141J-103Y	C RESISTOR	10K 5% 1/4W	
R416	QRE141J-103Y	C RESISTOR	10K 5% 1/4W	
R419	QRE141J-472Y	C RESISTOR	4.7K 5% 1/4W	
R422	QRE141J-104Y	C RESISTOR	100K 5% 1/4W	
R424	QRE141J-221Y	C RESISTOR	220 5% 1/4W	
R425	QRE141J-221Y	C RESISTOR	220 5% 1/4W	
R434	QRE141J-103Y	C RESISTOR	10K 5% 1/4W	
R435	QRE141J-103Y	C RESISTOR	10K 5% 1/4W	
R436	QRE141J-221Y	C RESISTOR	220 5% 1/4W	
R437	QRE141J-221Y	C RESISTOR	220 5% 1/4W	
R438	QRE141J-221Y	C RESISTOR	220 5% 1/4W	
R439	QRE141J-221Y	C RESISTOR	220 5% 1/4W	
R440	QRE141J-221Y	C RESISTOR	220 5% 1/4W	
R441	QRE141J-221Y	C RESISTOR	220 5% 1/4W	
R442	QRE141J-221Y	C RESISTOR	220 5% 1/4W	
R443	QRE141J-221Y	C RESISTOR	220 5% 1/4W	
R444	QRE141J-221Y	C RESISTOR	220 5% 1/4W	
R445	QRE141J-221Y	C RESISTOR	220 5% 1/4W	
R446	QRE141J-221Y	C RESISTOR	220 5% 1/4W	
R447	QRE141J-221Y	C RESISTOR	220 5% 1/4W	
R448	QRE141J-221Y	C RESISTOR	220 5% 1/4W	
R449	QRE141J-221Y	C RESISTOR	220 5% 1/4W	
R450	QRE141J-221Y	C RESISTOR	220 5% 1/4W	
R451	QRE141J-221Y	C RESISTOR	220 5% 1/4W	
R452	QRE141J-221Y	C RESISTOR	220 5% 1/4W	
R453	QRE141J-221Y	C RESISTOR	220 5% 1/4W	
R454	QRE141J-152Y	C RESISTOR	1.5K 5% 1/4W	
R455	QRE141J-221Y	C RESISTOR	220 5% 1/4W	
R456	QRE141J-221Y	C RESISTOR	220 5% 1/4W	
R457	QRE141J-221Y	C RESISTOR	220 5% 1/4W	
R458	QRE141J-221Y	C RESISTOR	220 5% 1/4W	
R469	QRE141J-221Y	C RESISTOR	220 5% 1/4W	
R551	QRE141J-222Y	C RESISTOR	2.2K 5% 1/4W	
R552	QRE141J-563Y	C RESISTOR	56K 5% 1/4W	
R553	QRE141J-302Y	C RESISTOR	3.0K 5% 1/4W	
R555	QRE141J-183Y	C RESISTOR	18K 5% 1/4W	
R556	QRE141J-101Y	C RESISTOR	100 5% 1/4W	
R558	QRE141J-301Y	C RESISTOR	300 5% 1/4W	
R560	QRE141J-563Y	C RESISTOR	56K 5% 1/4W	
R561	QRJ146J-331X	UNF.C.RES 1/M	330 5% 1/4W	
R563	QRE141J-332Y	C RESISTOR	3.3K 5% 1/4W	
R564	QRE141J-332Y	C RESISTOR	3.3K 5% 1/4W	
R565	QRE141J-332Y	C RESISTOR	3.3K 5% 1/4W	
R566	QRE141J-332Y	C RESISTOR	3.3K 5% 1/4W	
R569	QRJ146J-100X	UNF.C RESISTOR	10 5% 1/4W	
R570	QRJ146J-100X	UNF.C RESISTOR	10 5% 1/4W	
R601	QRE141J-271Y	C RESISTOR	270 5% 1/4W	
R602	QRE141J-271Y	C RESISTOR	270 5% 1/4W	
R603	QRE141J-271Y	C RESISTOR	270 5% 1/4W	
R604	QRE141J-271Y	C RESISTOR	270 5% 1/4W	
R605	QRE141J-271Y	C RESISTOR	270 5% 1/4W	
R606	QRE141J-271Y	C RESISTOR	270 5% 1/4W	
R607	QRE141J-225Y	C RESISTOR	2.2M 5% 1/4W	
R608	QRE141J-104Y	C RESISTOR	100K 5% 1/4W	
R609	QRE141J-104Y	C RESISTOR	100K 5% 1/4W	
R610	QRE141J-104Y	C RESISTOR	100K 5% 1/4W	
R611	QRE141J-104Y	C RESISTOR	100K 5% 1/4W	
R612	QRE141J-103Y	C RESISTOR	10K 5% 1/4W	
R613	QRE141J-103Y	C RESISTOR	10K 5% 1/4W	
R614	QRE141J-103Y	C RESISTOR	10K 5% 1/4W	
R701	QRE141J-222Y	C RESISTOR	2.2K 5% 1/4W	
R702	QRE141J-222Y	C RESISTOR	2.2K 5% 1/4W	
R703	QRE141J-563Y	C RESISTOR	56K 5% 1/4W	
R704	QRE141J-563Y	C RESISTOR	56K 5% 1/4W	
R705	QRE141J-332Y	C RESISTOR	3.3K 5% 1/4W	
R706	QRE141J-332Y	C RESISTOR	3.3K 5% 1/4W	
R709	QRE141J-183Y	C RESISTOR	18K 5% 1/4W	
R710	QRE141J-183Y	C RESISTOR	18K 5% 1/4W	
R711	QRE141J-391Y	C RESISTOR	390 5% 1/4W	
R712	QRE141J-391Y	C RESISTOR	390 5% 1/4W	
R713	QRE141J-563Y	C RESISTOR	56K 5% 1/4W	
R714	QRE141J-563Y	C RESISTOR	56K 5% 1/4W	
R717	QRE141J-101Y	C RESISTOR	100 5% 1/4W	
R718	QRE141J-101Y	C RESISTOR	100 5% 1/4W	
R721	QRJ146J-331X	UNF.C.RES 1/M	330 5% 1/4W	
R722	QRJ146J-331X	UNF.C.RES 1/M	330 5% 1/4W	
R727	QRE141J-473Y	C RESISTOR	47K 5% 1/4W	
R728	QRE141J-473Y	C RESISTOR	47K 5% 1/4W	
R729	QRJ146J-331X	UNF.C.RES 1/M	330 5% 1/4W	
R730	QRJ146J-331X	UNF.C.RES 1/M	330 5% 1/4W	
R739	QRJ146J-100X	UNF.C RESISTOR	10 5% 1/4W	
R740	QRJ146J-100X	UNF.C RESISTOR	10 5% 1/4W	
S401	QSW0683-001Z	PUSH SW I.M	POWER	
S402	QSW0683-001Z	PUSH SW I.M	SURROUND	
S403	QSW0683-001Z	PUSH SW I.M	ONE TOUCH	
S404	QSW0683-001Z	PUSH SW I.M	INPUT ATT	
S405	QSW0683-001Z	PUSH SW I.M	DVD	
S406	QSW0683-001Z	PUSH SW I.M	DVD MULTI	
S407	QSW0683-001Z	PUSH SW I.M	VER	
S408	QSW0683-001Z	PUSH SW I.M	FM	
S409	QSW0683-001Z	PUSH SW I.M	CONTROL	
S410	QSW0683-001Z	PUSH SW I.M	CONTROL	
S411	QSW0683-001Z	PUSH SW I.M	CONTROL	
S412	QSW0683-001Z	PUSH SW I.M	CONTROL	
S413	QSW0683-001Z	PUSH SW I.M	CD	
S414	QSW0683-001Z	PUSH SW I.M	PHONO	
S415	QSW0683-001Z	PUSH SW I.M	TAPE/MD	
S416	QSW0683-001Z	PUSH SW I.M	AM	
S417	QSW0683-001Z	PUSH SW I.M	ADJUT	
S418	QSW0683-001Z	PUSH SW I.M	SETTING	
S419	QSW0683-001Z	PUSH SW I.M	MEMORY	
S420	QSW0683-001Z	PUSH SW I.M	EON	
S421	QSW0683-001Z	PUSH SW I.M	TA/NEWS/INFO	
S422	QSW0683-001Z	PUSH SW I.M	PTY	
S423	QSW0683-001Z	PUSH SW I.M	DISPLAY	
X401	QAX0112-001Z	RESONATOR I.M		
X601	QAX0257-001Z	RESONATOR I.M		
CN304	QGF1210G1-29	FFC/FPC CONNE		
CN401	QJK018-041004	SKT.WIRE ASSY		
CN402	QGA2001F1-11	11P CN.RIG		
CN404	QJK021-043004	SIN-GR.C.WIRE	RDS	
CN411	QGA2001F1-04	4P PLUG ASSY		
CN412	QJK018-111001	SKT.WIRE ASSY		
CN601	QGB2510K1-08	CONNECTOR		
CN602	QGB2510K1-08	CONNECTOR		
CN605	QGB2510K1-08	CONNECTOR		
CN606	QGB2510K1-04	CONNECTOR		
CN701	QGB2510K1-10	CONNECTOR		
CN703	QGB2510K1-05	CONNECTOR		
CN712	QGA2001F1-06	6P PLUG ASSY		
CN801	QGF1205F1-13	CONNECTOR		
CN841	QGB2510K1-07	CONNECTOR		

■ Electrical parts list (System control & DSP board) Block No. 01

△	Item	Parts number	Parts name	Remarks	Area
	C1252	QCBB1HK-221Y	C CAPACITOR	220PF 10% 50V	
	C1254	QFVJ1HJ-104Z	TF CAPACITOR	.10MF 5% 50V	
	DI401	QLF0002-001	FL		
	FH001	E309106-001SM	FL HOLDER		
	FS001	E3400-444	FELT SPACER		
	FS002	E3400-444	FELT SPACER		
	HL401	VYH7653-001	IC HOLDER		
	HL601	VYH7237-002	IC HOLDER		
	IC401	MN173222BA	IC	(M.P.)	
	IC402	GP1U281X	IC		
	IC403	IC-PST9139-T	IC I.M.		
	IC601	TC9471F	IC		
	JS401	QSW0502-001	SW		
	J1251	QNS0083-001	3.5 JACK		
	RA401	QRB049J-103	R.NETWORK	10K 5% 1/4W	
	RA402	QRB109J-103	R.NETWORK	10K 5% 1/0W	
	R1253	QRE141J-471Y	C RESISTOR	470 5% 1/4W	
	R1254	QRE141J-221Y	C RESISTOR	220 5% 1/4W	

■ Electrical parts list (Power supply & Main board) Block No. 02

△	Item	Parts number	Parts name	Remarks	Area	△	Item	Parts number	Parts name	Remarks	Area
	C501	QETN1HM-106Z	E CAPACITOR	10MF 20% 50V			C923	QETN1HM-475Z	E CAPACITOR	4.7MF 20% 50V	
	C502	QCS31HJ-271Z	C CAPACITOR	270PF 5% 50V			C930	QETN1HM-476Z	E CAPACITOR	47MF 20% 50V	
	C503	QCS31HJ-331Z	C CAPACITOR	330PF 5% 50V			C931	QFLC1HJ-223Z	M CAPACITOR	.022MF 5% 50V	
	C504	QCB31HK-152Z	C CAPACITOR	1500PF 10% 50V			C932	QFLC1HJ-223Z	M CAPACITOR	.022MF 5% 50V	
	C507	QCS11HJ-100	C CAPACITOR	10PF 5% 50V			C933	QFLC1HJ-223Z	M CAPACITOR	.022MF 5% 50V	
	C508	QETN1CM-476Z	E CAPACITOR	47MF 20% 16V			C934	QFLC1HJ-223Z	M CAPACITOR	.022MF 5% 50V	
	C511	QETN1HM-225Z	E CAPACITOR	2.2MF 20% 50V			C935	QCS11HJ-221	C CAPACITOR	220PF 5% 50V	
	C512	QFLC1HJ-103Z	M CAPACITOR	.010MF 5% 50V			C936	QCS11HJ-221	C CAPACITOR	220PF 5% 50V	
	C513	QCS32HJ-330Z	C CAPACITOR	33PF 5% 500V			C937	QCS11HJ-221	C CAPACITOR	220PF 5% 50V	
	C514	QETN1HM-476Z	E CAPACITOR	47MF 20% 50V			C938	QCS11HJ-221	C CAPACITOR	220PF 5% 50V	
	C517	QETN2AM-106Z	E CAPACITOR	10MF 20% 100V			C941	QCS11HJ-221	C CAPACITOR	220PF 5% 50V	
	C521	QCS32HJ-470Z	C CAPACITOR	47PF 5% 500V			C942	QCS11HJ-221	C CAPACITOR	220PF 5% 50V	
	C522	QCS32HJ-470Z	C CAPACITOR	47PF 5% 500V			C943	QCS11HJ-221	C CAPACITOR	220PF 5% 50V	
	C543	QFLC1HJ-473Z	M CAPACITOR	.047MF 5% 50V			C944	QCS11HJ-221	C CAPACITOR	220PF 5% 50V	
	C544	QFLC1HJ-223Z	M CAPACITOR	.022MF 5% 50V			C945	QCS11HJ-221	C CAPACITOR	220PF 5% 50V	
	C571	QCS32HJ-470Z	C CAPACITOR	47PF 5% 500V			C946	QCS11HJ-221	C CAPACITOR	220PF 5% 50V	
	C572	QCS32HJ-470Z	C CAPACITOR	47PF 5% 500V			C961	QCB1HK-331Y	C CAPACITOR	330PF 10% 50V	
	C581	QFLC1HJ-473Z	M CAPACITOR	.047MF 5% 50V			C962	QCB1HK-331Y	C CAPACITOR	330PF 10% 50V	
	C582	QFLC1HJ-223Z	M CAPACITOR	.022MF 5% 50V			C963	QDGB1HK-102Y	C CAPACITOR		
	C750	QETN1HM-227Z	E CAPACITOR	220MF 20% 50V			C971	QFLC1HJ-223Z	M CAPACITOR	.022MF 5% 50V	
	C751	QCS32HJ-470Z	C CAPACITOR	47PF 5% 500V			C972	QCS11HJ-221	C CAPACITOR	220PF 5% 50V	
	C752	QCS32HJ-470Z	C CAPACITOR	47PF 5% 500V			C973	QCS11HJ-221	C CAPACITOR	220PF 5% 50V	
	C753	QCS32HJ-470Z	C CAPACITOR	47PF 5% 500V			C974	QCS11HJ-221	C CAPACITOR	220PF 5% 50V	
	C754	QCS32HJ-470Z	C CAPACITOR	47PF 5% 500V			C981	QFLC1HJ-223Z	M CAPACITOR	.022MF 5% 50V	
	C755	QETN1JM-227Z	E CAPACITOR	220MF 20% 63V			C982	QFLC1HJ-223Z	M CAPACITOR	.022MF 5% 50V	
	C756	QETN1HM-226Z	E CAPACITOR	22MF 20% 50V			C983	QCS11HJ-221	C CAPACITOR	220PF 5% 50V	
	C757	QETN1HM-226Z	E CAPACITOR	22MF 20% 50V			C984	QCS11HJ-221	C CAPACITOR	220PF 5% 50V	
	C771	QFLC1HJ-473Z	M CAPACITOR	.047MF 5% 50V			C985	QCS11HJ-471	C CAPACITOR	470PF 5% 50V	
	C772	QFLC1HJ-473Z	M CAPACITOR	.047MF 5% 50V			C986	QCS11HJ-471	C CAPACITOR	470PF 5% 50V	
	C773	QFLC1HJ-223Z	M CAPACITOR	.022MF 5% 50V			C987	QCS11HJ-471	C CAPACITOR	470PF 5% 50V	
	C774	QFLC1HJ-223Z	M CAPACITOR	.022MF 5% 50V			C988	QCS11HJ-471	C CAPACITOR	470PF 5% 50V	
	C800	QDVB1EZ-223Y	C CAPACITOR				D503	1SS133-T2	SI DIODE		
	C801	QFN32AK-472Z	M.CAPA. I.M **	4700PF 10% 100V			D511	1SS133-T2	SI DIODE		
	C802	QETN1EM-477Z	E CAPACITOR	470MF 20% 25V			D512	1SS133-T2	SI DIODE		
	C803	QETN1CM-476Z	E CAPACITOR	47MF 20% 16V			D531	1SS133-T2	SI DIODE		
△	C804	QCZ9019-472	C.CAPA.	4700PF			D585	1SS133-T2	SI DIODE		
	C811	QETM1VM-228	E.CAPACITOR	2200MF 20% 35V			D586	1SS133-T2	SI DIODE		
	C812	QFN32AJ-104Z	M.CAPA I.M	.10MF 5% 100V			D591	1SS133-T2	SI DIODE		
	C813	QFN32AJ-104Z	M.CAPA I.M	.10MF 5% 100V			D750	1SR35-400A-T5	DIODE I/M		
	C816	QCF31HZ-223Z	C CAPACITOR	.022MF +80:-20%			D751	1SR35-400A-T5	DIODE I/M		
	C817	QCF31HZ-223Z	C CAPACITOR	.022MF +80:-20%			D752	1SR35-400A-T5	DIODE I/M		
	C820	QDVB1EZ-223Y	C CAPACITOR				D753	MTZJ24C-T2	Z DIODE I/M		
	C821	QETN1HM-476Z	E CAPACITOR	47MF 20% 50V			D781	1SS133-T2	SI DIODE		
	C822	QETN1HM-476Z	E CAPACITOR	47MF 20% 50V			D782	1SS133-T2	SI DIODE		
	C831	QETN1EM-107Z	E CAPACITOR	100MF 20% 25V			D783	1SS133-T2	SI DIODE		
	C840	QEHR1HM-476Z	E.CAPA I.M	47MF 20% 50V			D784	1SS133-T2	SI DIODE		
	C841	QETN1HM-476Z	E CAPACITOR	47MF 20% 50V			△	D801	1SR35-400A-T5	DIODE I/M	
	C845	QETN1HM-476Z	E CAPACITOR	47MF 20% 50V			△	D802	1SR35-400A-T5	DIODE I/M	
	C861	QEZ0341-688	E CAPACITER	6800MF			△	D803	1SR35-400A-T5	DIODE I/M	
	C862	QEZ0341-688	E CAPACITER	6800MF			△	D804	1SR35-400A-T5	DIODE I/M	
	C863	QFN82CK-104	M.CAPA. **	.10MF 10% 160V			D806	1SS133-T2	SI DIODE		
	C864	QFN82CK-104	M.CAPA. **	.10MF 10% 160V			D807	MTZJ6.8C-T2	Z DIODE I/M		
	C865	QFN82CK-104	M.CAPA. **	.10MF 10% 160V			D808	1SS133-T2	SI DIODE		
	C871	QETN1EM-107Z	E CAPACITOR	100MF 20% 25V			△	D811	10E2-FD	DIODE	
	C885	QETN1HM-105Z	E CAPACITOR	1.0MF 20% 50V			△	D812	10E2-FD	DIODE	
	C896	QETN1EM-107Z	E CAPACITOR	100MF 20% 25V			D822	MTZJ13C-T2	ZENER DIODE		
	C897	QETN1EM-107Z	E CAPACITOR	100MF 20% 25V			D831	MTZJ5.6C-T2	ZENER DIODE		
	C903	QETN1CM-476Z	E CAPACITOR	47MF 20% 16V			D840	MTZJ10C-T2	Z.DIODE I.M		
	C904	QETN1EM-106Z	E CAPACITOR	10MF 20% 25V			D841	MTZJ16C-T2	Z.DIODE I.M		
	C911	QCF11HZ-103	C CAPACITOR	.010MF +80:-20%			△	D861	30DF2-FC	DIODE	
	C912	QCF11HZ-103	C CAPACITOR	.010MF +80:-20%			△	D862	30DF2-FC	DIODE	
	C921	QETN1HM-475Z	E CAPACITOR	4.7MF 20% 50V			△	D863	30DF2-FC	DIODE	
	C922	QETN1HM-475Z	E CAPACITOR	4.7MF 20% 50V			△	D864	30DF2-FC	DIODE	

■ Electrical parts list (Power supply & Main board) Block No. 02

△	Item	Parts number	Parts name	Remarks	Area	△	Item	Parts number	Parts name	Remarks	Area
	D871	MTZJ13C-T2	ZENER DIODE				Q929	KRC109M-T	D.TR.I.M.		
	D885	MTZJ6.2C-T2	Z DIODE I/M				Q930	2SA965/OY/T	TR.I/M		
	D891	MTZJ6.2C-T2	Z DIODE I/M				Q931	2SC2240/GL/T	TRANSISTOR		
	D901	1SS133-T2	SI DIODE				Q932	2SD2395/EF/	TRANSISTOR		
	D902	1SS133-T2	SI DIODE				Q951	KRC105M-T	D.TR.I.M.		
	D921	1SS133-T2	SI DIODE				Q952	KRC105M-T	D.TR.I.M.		
	D925	1SS133-T2	SI DIODE				R501	QRE141J-222Y	C RESISTOR	2.2K 5% 1/4W	
	D951	1SS133-T2	SI DIODE				R502	QRE141J-563Y	C RESISTOR	56K 5% 1/4W	
	D952	1SS133-T2	SI DIODE				R503	QRE141J-302Y	C RESISTOR	3.0K 5% 1/4W	
	D961	1SS133-T2	SI DIODE				R504	QRE141J-101Y	C RESISTOR	100 5% 1/4W	
	D962	1SS133-T2	SI DIODE				R505	QRE141J-183Y	C RESISTOR	18K 5% 1/4W	
	D963	1SS133-T2	SI DIODE				R507	QRE141J-563Y	C RESISTOR	56K 5% 1/4W	
	D964	1SS133-T2	SI DIODE				R508	QRE141J-391Y	C RESISTOR	390 5% 1/4W	
	D965	1SS133-T2	SI DIODE				△ R511	QRJ146J-331X	UNF.C.RES I/M	330 5% 1/4W	
	D966	MTZJ15C-T2	Z DIODE				R512	QRE141J-332Y	C RESISTOR	3.3K 5% 1/4W	
	D967	1SS133-T2	SI DIODE				R513	QRE141J-332Y	C RESISTOR	3.3K 5% 1/4W	
	J961	QNS0023-001	JACK				R514	QRE141J-332Y	C RESISTOR	3.3K 5% 1/4W	
	L501	QQLZ005-R45	INDUCTOR				R515	QRE141J-332Y	C RESISTOR	3.3K 5% 1/4W	
	L581	QQLZ005-R45	INDUCTOR			△	R517	QRJ146J-100X	UNF.C RESISTOR	10 5% 1/4W	
	L771	QQLZ005-R45	INDUCTOR			△	R518	QRJ146J-100X	UNF.C RESISTOR	10 5% 1/4W	
	L772	QQLZ005-R45	INDUCTOR			△	R523	QRJ146J-100X	UNF.C RESISTOR	10 5% 1/4W	
	L931	QQLZ005-R45	INDUCTOR			△	R524	QRJ146J-100X	UNF.C RESISTOR	10 5% 1/4W	
	L932	QQLZ005-R45	INDUCTOR			△	R527	QRZ0196-R22	EMIT.RESISTOR	1/1W	
	L971	QQLZ005-R45	INDUCTOR			△	R528	QRJ125J-330	UNF.C.RES.	33 5% 1/2W	
	L981	QQLZ005-R45	INDUCTOR				R531	QRE141J-102Y	C RESISTOR	1.0K 5% 1/4W	
	L982	QQLZ005-R45	INDUCTOR				R532	QRE141J-183Y	C RESISTOR	18K 5% 1/4W	
	Q501	2SC2240/L-T	TRANSISTOR				R533	QRE141J-123Y	C RESISTOR	12K 5% 1/4W	
	Q502	2SC2240/L-T	TRANSISTOR				R541	QRE141J-471Y	C RESISTOR	470 5% 1/4W	
	Q503	2SA1038S/SE/T	TRANSISTOR				R542	QRE141J-361Y	C RESISTOR	360 5% 1/4W	
	Q509	2SA1038S/SE/T	TRANSISTOR				R543	QRE141J-181Y	C RESISTOR	180 5% 1/4W	
	Q511	2SC2389S/SE/T	TRANSISTOR				R544	QRE141J-181Y	C RESISTOR	180 5% 1/4W	
	Q512	2SA1038S/SE/T	TRANSISTOR				R545	QRE141J-101Y	C RESISTOR	100 5% 1/4W	
	Q540	2SD637/QR/	TRANSISTOR				R546	QRE141J-101Y	C RESISTOR	100 5% 1/4W	
	Q568	2SD637/QR/	TRANSISTOR			△	R547	QRL022J-100	UNF.OMF.RES.	10 5% 1/2W	
	Q585	2SC2389S/SE/T	TRANSISTOR				R548	QRE141J-104Y	C RESISTOR	100K 5% 1/4W	
	Q586	2SA1038S/SE/T	TRANSISTOR				R549	QRE141J-102Y	C RESISTOR	1.0K 5% 1/4W	
	Q591	2SA1038S/SE/T	TRANSISTOR				R550	QRE141J-104Y	C RESISTOR	100K 5% 1/4W	
	Q741	2SD637/QR/	TRANSISTOR				R562	QRE141J-471Y	C RESISTOR	470 5% 1/4W	
	Q742	2SD637/QR/	TRANSISTOR				R567	QRE141J-361Y	C RESISTOR	360 5% 1/4W	
	Q750	2SB1357/EF/T	TRANSISTOR			△	R571	QRJ146J-100X	UNF.C RESISTOR	10 5% 1/4W	
	Q781	2SC2389S/SE/T	TRANSISTOR			△	R572	QRJ146J-100X	UNF.C RESISTOR	10 5% 1/4W	
	Q782	2SC2389S/SE/T	TRANSISTOR				R576	QRE141J-102Y	C RESISTOR	1.0K 5% 1/4W	
	Q783	2SA1038S/SE/T	TRANSISTOR			△	R577	QRZ0196-R22	EMIT.RESISTOR	1/1W	
	Q784	2SA1038S/SE/T	TRANSISTOR			△	R581	QRJ125J-330	UNF.C.RES.	33 5% 1/2W	
	Q802	2SC2235/OY/T	TRANSISTOR			△	R582	QRL022J-100	UNF.OMF.RES.	10 5% 1/2W	
	Q803	KRC105M-T	D.TR.I.M.				R585	QRE141J-181Y	C RESISTOR	180 5% 1/4W	
△	Q821	2SB1566/EF/	TRANSISTOR				R586	QRE141J-181Y	C RESISTOR	180 5% 1/4W	
△	Q841	2SB1566/EF/	TRANSISTOR				R587	QRE141J-101Y	C RESISTOR	100 5% 1/4W	
	Q885	2SC2240/GL/T	TRANSISTOR				R588	QRE141J-101Y	C RESISTOR	100 5% 1/4W	
△	Q891	2SD2395/EF/	TRANSISTOR				R591	QRE141J-102Y	C RESISTOR	1.0K 5% 1/4W	
	Q901	2SA1038S/SE/T	TRANSISTOR				R592	QRE141J-183Y	C RESISTOR	18K 5% 1/4W	
	Q902	2SA1038S/SE/T	TRANSISTOR				R593	QRE141J-473Y	C RESISTOR	47K 5% 1/4W	
	Q903	KRC105M-T	D.TR.I.M.				R594	QRE141J-104Y	C RESISTOR	100K 5% 1/4W	
	Q904	KTC3199/GL/T	TR I/M				R743	QRE141J-471Y	C RESISTOR	470 5% 1/4W	
	Q905	2SC2389S/SE/T	TRANSISTOR				R744	QRE141J-471Y	C RESISTOR	470 5% 1/4W	
	Q906	2SA1038S/SE/T	TRANSISTOR				R745	QRE141J-361Y	C RESISTOR	360 5% 1/4W	
	Q921	KRC109M-T	D.TR.I.M.				R746	QRE141J-361Y	C RESISTOR	360 5% 1/4W	
	Q922	KRC109M-T	D.TR.I.M.				R747	QRE141J-471Y	C RESISTOR	470 5% 1/4W	
	Q923	KRC109M-T	D.TR.I.M.				R748	QRE141J-471Y	C RESISTOR	470 5% 1/4W	
	Q925	KRC109M-T	D.TR.I.M.			△	R750	QRJ146J-562X	UNF.C.RES I/M	5.6K 5% 1/4W	
	Q926	KRC109M-T	D.TR.I.M.			△	R751	QRJ146J-100X	UNF.C RESISTOR	10 5% 1/4W	
	Q927	KRC109M-T	D.TR.I.M.			△	R752	QRJ146J-100X	UNF.C RESISTOR	10 5% 1/4W	
	Q928	KRC109M-T	D.TR.I.M.			△	R753	QRJ146J-100X	UNF.C RESISTOR	10 5% 1/4W	

■ Electrical parts list (Power supply & Main board) Block No. 02

△	Item	Parts number	Parts name	Remarks	Area
	R754	QRJ146J-100X	UNF.C RESISTOR	10 5% 1/4W	
	R755	QRE141J-223Y	C RESISTOR	22K 5% 1/4W	
△	R771	QRZ0196-R22	EMIT.RESISTOR	1/1W	
△	R772	QRZ0196-R22	EMIT.RESISTOR	1/1W	
△	R773	QRJ125J-330	UNF.C.RES.	33 5% 1/2W	
△	R774	QRJ125J-330	UNF.C.RES.	33 5% 1/2W	
△	R775	QRL022J-100	UNF.OMF.RES.	10 5% 1/2W	
△	R776	QRL022J-100	UNF.OMF.RES.	10 5% 1/2W	
	R781	QRE141J-181Y	C RESISTOR	180 5% 1/4W	
	R782	QRE141J-181Y	C RESISTOR	180 5% 1/4W	
	R783	QRE141J-181Y	C RESISTOR	180 5% 1/4W	
	R784	QRE141J-181Y	C RESISTOR	180 5% 1/4W	
	R785	QRE141J-820Y	C RESISTOR	82 5% 1/4W	
	R786	QRE141J-820Y	C RESISTOR	82 5% 1/4W	
	R787	QRE141J-820Y	C RESISTOR	82 5% 1/4W	
	R788	QRE141J-820Y	C RESISTOR	82 5% 1/4W	
△	R801	QRJ146J-100X	UNF.C RESISTOR	10 5% 1/4W	
△	R803	QRJ146J-821X	UNF.C.RES I/M	820 5% 1/4W	
△	R805	QRJ146J-100X	UNF.C RESISTOR	10 5% 1/4W	
△	R808	QRJ146J-6R8X	UNF.C.RES I/M	6.8 5% 1/4W	
△	R821	QRJ146J-100X	UNF.C RESISTOR	10 5% 1/4W	
△	R822	QRJ146J-182X	UNF.C.RES I/M	1.8K 5% 1/4W	
△	R830	QRZ9006-4R7X	F RESISTOR	4.7 1/0W	
△	R831	QRZ9006-4R7X	F RESISTOR	4.7 1/0W	
△	R832	QRJ146J-272X	UNF.C.RES I/M	2.7K 5% 1/4W	
△	R840	QRJ146J-220X	UNF.C.RES I/M	22 5% 1/4W	
△	R841	QRZ9005-100X	F.RES I/M	10 1/0W	
△	R842	QRJ146J-472X	UNF.C.RES I/M	4.7K 5% 1/4W	
△	R843	QRJ146J-100X	UNF.C RESISTOR	10 5% 1/4W	
△	R845	QRJ146J-102X	UNF.C.RES I/M	1.0K 5% 1/4W	
△	R871	QRZ9006-4R7X	F RESISTOR	4.7 1/0W	
△	R872	QRJ146J-182X	UNF.C.RES I/M	1.8K 5% 1/4W	
△	R873	QRZ9006-4R7X	F RESISTOR	4.7 1/0W	
	R885	QRE141J-104Y	C RESISTOR	100K 5% 1/4W	
△	R891	QRZ9005-100X	F.RES I/M	10 1/0W	
△	R892	QRJ146J-272X	UNF.C.RES I/M	2.7K 5% 1/4W	
	R901	QRE141J-102Y	C RESISTOR	1.0K 5% 1/4W	
	R902	QRE141J-102Y	C RESISTOR	1.0K 5% 1/4W	
	R903	QRE141J-153Y	C RESISTOR	15K 5% 1/4W	
	R904	QRE141J-153Y	C RESISTOR	15K 5% 1/4W	
	R905	QRE141J-473Y	C RESISTOR	47K 5% 1/4W	
	R906	QRE141J-473Y	C RESISTOR	47K 5% 1/4W	
	R909	QRE141J-104Y	C RESISTOR	100K 5% 1/4W	
	R910	QRE141J-823Y	C RESISTOR	82K 5% 1/4W	
	R911	QRE141J-103Y	C RESISTOR	10K 5% 1/4W	
	R915	QRE141J-103Y	C RESISTOR	10K 5% 1/4W	
	R916	QRE141J-104Y	C RESISTOR	100K 5% 1/4W	
	R917	QRE141J-103Y	C RESISTOR	10K 5% 1/4W	
	R918	QRE141J-104Y	C RESISTOR	100K 5% 1/4W	
△	R921	QRJ146J-101X	UNF.C.RES I/M	100 5% 1/4W	
△	R931	QRZ9006-4R7X	F RESISTOR	4.7 1/0W	
△	R932	QRZ9006-4R7X	F RESISTOR	4.7 1/0W	
△	R933	QRZ9006-4R7X	F RESISTOR	4.7 1/0W	
△	R934	QRZ9006-4R7X	F RESISTOR	4.7 1/0W	
△	R935	QRJ146J-223X	UNF.C.RES I/M	22K 5% 1/4W	
△	R936	QRJ146J-102X	UNF.C.RES I/M	1.0K 5% 1/4W	
	R941	QRE141J-223Y	C RESISTOR	22K 5% 1/4W	
	R942	QRE141J-822Y	C RESISTOR	8.2K 5% 1/4W	
	R943	QRE141J-223Y	C RESISTOR	22K 5% 1/4W	
	R944	QRE141J-822Y	C RESISTOR	8.2K 5% 1/4W	
	R945	QRE141J-223Y	C RESISTOR	22K 5% 1/4W	
	R946	QRE141J-822Y	C RESISTOR	8.2K 5% 1/4W	
△	R947	QRZ9005-100X	F.RES I/M	10 1/0W	

△	Item	Parts number	Parts name	Remarks	Area
△	R948	QRJ146J-103X	UNF.C.RES I/M	10K 5% 1/4W	
△	R949	QRZ9006-4R7X	F RESISTOR	4.7 1/0W	
△	R951	QRJ146J-101X	UNF.C.RES I/M	100 5% 1/4W	
△	R952	QRJ146J-101X	UNF.C.RES I/M	100 5% 1/4W	
△	R961	QRL022J-471	UNF.OMF.RES.	470 5% 1/2W	
△	R962	QRL022J-471	UNF.OMF.RES.	470 5% 1/2W	
△	R971	QRZ9006-4R7X	F RESISTOR	4.7 1/0W	
	R977	QRE141J-472Y	C RESISTOR	4.7K 5% 1/4W	
	R978	QRE141J-472Y	C RESISTOR	4.7K 5% 1/4W	
	R980	QRE141J-472Y	C RESISTOR	4.7K 5% 1/4W	
△	R981	QRZ9006-4R7X	F RESISTOR	4.7 1/0W	
△	R982	QRZ9006-4R7X	F RESISTOR	4.7 1/0W	
	R983	QRE141J-472Y	C RESISTOR	4.7K 5% 1/4W	
	R984	QRE141J-223Y	C RESISTOR	22K 5% 1/4W	
	R985	QRE141J-473Y	C RESISTOR	47K 5% 1/4W	
	R987	QRE141J-472Y	C RESISTOR	4.7K 5% 1/4W	
	R988	QRE141J-472Y	C RESISTOR	4.7K 5% 1/4W	
	S901	QSW0653-001	PUSH SWITCH		
△	T801	QQT0281-002	POWER TRANSF		
	CN511	QGA2001C1-10	10P PLUG ASSY		
	CN711	QGB2510J1-10	CONNECTOR		
	CN713	QGB2510J1-05	CONNECTOR		
	CN811	QGF1205C1-13	CONNECTOR		
	CN831	QGD2501C1-04Z	SOCKET		
	CN851	QGB2510J1-07	CONNECTOR		
	EP110	QNZ0136-001Z	EARTH PLATE		
	EP500	QNZ0136-001Z	EARTH PLATE		
	EP800	E409182-001SM	GRAND TERMINAL		
	EP901	E409182-001SM	GRAND TERMINAL		
	EP961	QNZ0136-001Z	EARTH PLATE		
	FC801	QNG0020-001Z	FUSE CLIP		
	FC802	QNG0020-001Z	FUSE CLIP		
	FC803	QNG0020-001Z	FUSE CLIP		
	FC804	QNG0020-001Z	FUSE CLIP		
	FC810	QNG0020-001Z	FUSE CLIP		
	FC811	QNG0020-001Z	FUSE CLIP		
	FC812	QNG0020-001Z	FUSE CLIP		
	FC813	QNG0020-001Z	FUSE CLIP		
	FW801	QUM13A-13Z4Z4	PARA RIBON WIRE		
	FW831	QUM134-10DGZ4	PARA RIBON WIRE		
	FW901	QUM136-40Z4Z4	PARA RIBON WIRE		
	FW902	QUM135-20Z4Z4	PARA RIBON WIRE		
	FW961	QUM133-10Z4Z4	PARA RIBON WIRE		
	HS841	E70306-001	HEAT SINK		
	HS891	E70306-001	HEAT SINK		
△	RY801	QSK0055-001	RELAY		
△	RY921	QSK0109-001	RELAY		
△	RY951	QSK0109-001	RELAY		
△	RY952	QSK0109-001	RELAY		
	ST901	QNB0007-001	SPK TERMINAL		
	ST951	QNB0016-001	SPK TERMINAL		
	TA801	QNZ0079-001Z	TAB I.M		
	TA802	QNZ0079-001Z	TAB I.M		
△	TH540	QAD0012-202	THERMISTOR		
△	TH568	QAD0012-202	THERMISTOR		
△	TH749	QAD0012-202	THERMISTOR		
△	TH750	QAD0012-202	THERMISTOR		
△	TH751	QAD0095-4R7Z	POSITOR I.M		
	TP001	QMV5005-004K	4P PLUG ASSY		
	VR741	QVP0004-102Z	SEMI.V.RESISTOR		
	VR742	QVP0004-102Z	SEMI.V.RESISTOR		

■ Electrical parts list (AV Input / output board) Block No. 03

Item	Parts number	Parts name	Remarks	Area	Item	Parts number	Parts name	Remarks	Area
C181	QFLC1HJ-562Z	M CAPACITOR	5600PF 5% 50V		C382	QETN1EM-226Z	E CAPACITOR	22MF 20% 25V	
C182	QFLC1HJ-562Z	M CAPACITOR	5600PF 5% 50V		C383	QETN1EM-226Z	E CAPACITOR	22MF 20% 25V	
C201	QCBB1HK-331Y	C CAPACITOR	330PF 10% 50V		C384	QETN1HM-475Z	E CAPACITOR	4.7MF 20% 50V	
C202	QCBB1HK-331Y	C CAPACITOR	330PF 10% 50V		C385	QETN1HM-225Z	E CAPACITOR	2.2MF 20% 50V	
C203	QCBB1HK-331Y	C CAPACITOR	330PF 10% 50V		C386	QETN1HM-225Z	E CAPACITOR	2.2MF 20% 50V	
C204	QCBB1HK-331Y	C CAPACITOR	330PF 10% 50V		C387	QCBB1HK-221Y	C CAPACITOR	220PF 10% 50V	
C205	QCBB1HK-331Y	C CAPACITOR	330PF 10% 50V		C371	QCB31HK-822Z	C CAPACITOR	8200PF 10% 50V	
C206	QCBB1HK-331Y	C CAPACITOR	330PF 10% 50V		C372	QCB31HK-822Z	C CAPACITOR	8200PF 10% 50V	
C300	QDVB1EZ-223Y	C CAPACITOR			C373	QFLC1HJ-153Z	M CAPACITOR	.015MF 5% 50V	
C301	QETN1HM-475Z	E CAPACITOR	4.7MF 20% 50V		C374	QFLC1HJ-153Z	M CAPACITOR	.015MF 5% 50V	
C302	QETN1HM-475Z	E CAPACITOR	4.7MF 20% 50V		C375	QFVF1HJ-384Z	TF CAPACITOR	.33MF 5% 50V	
C303	QCBB1HK-101Y	C CAPACITOR	100PF 10% 50V		C376	QFVF1HJ-384Z	TF CAPACITOR	.33MF 5% 50V	
C304	QCBB1HK-101Y	C CAPACITOR	100PF 10% 50V		C377	QDVB1EZ-223Y	C CAPACITOR		
C305	QFLC1HJ-182Z	M CAPACITOR	1800PF 5% 50V		C378	QDVB1EZ-223Y	C CAPACITOR		
C306	QFLC1HJ-182Z	M CAPACITOR	1800PF 5% 50V		C379	QETN1HM-475Z	E CAPACITOR	4.7MF 20% 50V	
C307	QFLC1HJ-682Z	M CAPACITOR	6800PF 5% 50V		C380	QETN1HM-475Z	E CAPACITOR	4.7MF 20% 50V	
C308	QFLC1HJ-682Z	M CAPACITOR	6800PF 5% 50V		C381	QETN1EM-476Z	E CAPACITOR	4.7MF 20% 25V	
C309	QCS11HJ-101	C CAPACITOR	100PF 5% 50V		C382	QETN1EM-476Z	E CAPACITOR	4.7MF 20% 25V	
C310	QCS11HJ-101	C CAPACITOR	100PF 5% 50V		C383	QCF31HZ-223Z	C CAPACITOR	.022MF +80-20%	
C311	QETN1HM-475Z	E CAPACITOR	4.7MF 20% 50V		C384	QETN1EM-107Z	E CAPACITOR	100MF 20% 25V	
C312	QETN1HM-475Z	E CAPACITOR	4.7MF 20% 50V		C385	QDVB1EZ-223Y	C CAPACITOR		
C313	QETN1AM-107Z	E CAPACITOR	100MF 20% 10V		C387	QDVB1EZ-223Y	C CAPACITOR		
C314	QETN1AM-107Z	E CAPACITOR	100MF 20% 10V		C388	QDVB1EZ-223Y	C CAPACITOR		
C315	QETN1CM-476Z	E CAPACITOR	47MF 20% 18V		C389	QDVB1EZ-223Y	C CAPACITOR		
C316	QETN1CM-476Z	E CAPACITOR	47MF 20% 18V		C390	QDVB1EZ-223Y	C CAPACITOR		
C321	QDVB1EZ-223Y	C CAPACITOR			C391	QCBB1HK-471Y	C CAPACITOR	470PF 10% 50V	
C322	QDVB1EZ-223Y	C CAPACITOR			C392	QFVF1HJ-104Z	TF CAPACITOR	.10MF 5% 50V	
C323	QCBB1HK-221Y	C CAPACITOR	220PF 10% 50V		C393	QETN0JM-477Z	E CAPACITOR	470MF 20% 6.3V	
C325	QCBB1HK-331Y	C CAPACITOR	330PF 10% 50V		C385	QDGB1HK-102Y	C CAPACITOR		
C326	QCBB1HK-331Y	C CAPACITOR	330PF 10% 50V		D301	MTZJ7.5C-T2	ZENER DIODE		
C327	QCBB1HK-331Y	C CAPACITOR	330PF 10% 50V		D302	MTZJ7.5C-T2	ZENER DIODE		
C328	QCBB1HK-331Y	C CAPACITOR	330PF 10% 50V		D303	MTZJ10C-T2	Z.DIODE I.M		
C329	QCBB1HK-331Y	C CAPACITOR	330PF 10% 50V		D304	1SS133-T2	SI DIODE		
C330	QCBB1HK-331Y	C CAPACITOR	330PF 10% 50V		D305	1SS133-T2	SI DIODE		
C331	QCBB1HK-331Y	C CAPACITOR	330PF 10% 50V		J211	QNN0180-001	PIN JACK		
C332	QCBB1HK-331Y	C CAPACITOR	330PF 10% 50V		J301	QNN0163-001	PIN JACK		
C333	QCBB1HK-331Y	C CAPACITOR	330PF 10% 50V		J302	QNN0163-001	PIN JACK		
C334	QCBB1HK-331Y	C CAPACITOR	330PF 10% 50V		J303	QNN0163-001	PIN JACK		
C335	QCBB1HK-331Y	C CAPACITOR	330PF 10% 50V		J311	QNN0060-001	PIN JACK		
C336	QCBB1HK-331Y	C CAPACITOR	330PF 10% 50V		Q341	2SD2144S/VW-T	TRANSISTOR		
C337	QCBB1HK-331Y	C CAPACITOR	330PF 10% 50V		Q342	2SD2144S/VW-T	TRANSISTOR		
C338	QCBB1HK-331Y	C CAPACITOR	330PF 10% 50V		Q351	DTA144ESA-T	DIGITAL TR TAPE		
C339	QCBB1HK-221Y	C CAPACITOR	220PF 10% 50V		Q352	KRC104M-T	D.TR.I.M		
C340	QCBB1HK-221Y	C CAPACITOR	220PF 10% 50V		Q353	KRA104M-T	D.TR.I.M		
C341	QETN1HM-475Z	E CAPACITOR	4.7MF 20% 50V		Q354	KRA104M-T	D.TR.I.M		
C342	QETN1HM-475Z	E CAPACITOR	4.7MF 20% 50V		Q361	2SK301/QR-T	TRANSISTOR(FET)		
C343	QETN1HM-475Z	E CAPACITOR	4.7MF 20% 50V		Q362	2SK301/QR-T	TRANSISTOR(FET)		
C344	QETN1HM-475Z	E CAPACITOR	4.7MF 20% 50V		Q363	2SK301/QR-T	TRANSISTOR(FET)		
C345	QDVB1EZ-223Y	C CAPACITOR			Q364	2SK301/QR-T	TRANSISTOR(FET)		
C346	QDVB1EZ-223Y	C CAPACITOR			Q365	2SD2144S/VW-T	TRANSISTOR		
C347	QCBB1HK-221Y	C CAPACITOR	220PF 10% 50V		Q366	2SD2144S/VW-T	TRANSISTOR		
C348	QCBB1HK-221Y	C CAPACITOR	220PF 10% 50V		Q367	2SD2144S/VW-T	TRANSISTOR		
C351	QETN1HM-105Z	E CAPACITOR	1.0MF 20% 50V		Q368	2SD2144S/VW-T	TRANSISTOR		
C352	QETN1HM-105Z	E CAPACITOR	1.0MF 20% 50V		Q369	2SD2144S/VW-T	TRANSISTOR		
C353	QDVB1EZ-223Y	C CAPACITOR			Q370	2SD2144S/VW-T	TRANSISTOR		
C354	QDVB1EZ-223Y	C CAPACITOR			Q371	KRA104M-T	D.TR.I.M		
C355	QETN1HM-105Z	E CAPACITOR	1.0MF 20% 50V		Q372	KRA104M-T	D.TR.I.M		
C356	QETN1HM-105Z	E CAPACITOR	1.0MF 20% 50V		Q373	KRC104M-T	D.TR.I.M		
C357	QDVB1EZ-223Y	C CAPACITOR			Q374	KRA104M-T	D.TR.I.M		
C358	QDVB1EZ-223Y	C CAPACITOR			Q376	2SD2144S/VW-T	TRANSISTOR		
C359	QDVB1EZ-223Y	C CAPACITOR			Q381	2SA965/OY-T	TR.I.M		
C360	QDVB1EZ-223Y	C CAPACITOR			Q382	2SC2060/QR-T	TRANSISTOR		
C361	QETN1HM-475Z	E CAPACITOR	4.7MF 20% 50V		Q383	2SC2060/QR-T	TRANSISTOR		

■ Electrical parts list (AV Input / output board) Block No. 03

▲	Item	Parts number	Parts name	Remarks	Area	▲	Item	Parts number	Parts name	Remarks	Area
	R163	QRE141J-472Y	C RESISTOR	4.7K 5% 1/4W			R371	QRE141J-102Y	C RESISTOR	1.0K 5% 1/4W	
	R164	QRE141J-472Y	C RESISTOR	4.7K 5% 1/4W			R372	QRE141J-103Y	C RESISTOR	10K 5% 1/4W	
	R201	QRE141J-471Y	C RESISTOR	470 5% 1/4W			R373	QRE141J-103Y	C RESISTOR	10K 5% 1/4W	
	R202	QRE141J-471Y	C RESISTOR	470 5% 1/4W			R375	QRE141J-104Y	C RESISTOR	100K 5% 1/4W	
	R203	QRE141J-471Y	C RESISTOR	470 5% 1/4W			R376	QRE141J-104Y	C RESISTOR	100K 5% 1/4W	
	R204	QRE141J-471Y	C RESISTOR	470 5% 1/4W			R377	QRE141J-333Y	C RESISTOR	33K 5% 1/4W	
	R205	QRE141J-471Y	C RESISTOR	470 5% 1/4W			R378	QRE141J-333Y	C RESISTOR	33K 5% 1/4W	
	R206	QRE141J-471Y	C RESISTOR	470 5% 1/4W			R379	QRE141J-333Y	C RESISTOR	33K 5% 1/4W	
	R301	QRE141J-222Y	C RESISTOR	2.2K 5% 1/4W			R381	QRE141J-363Y	C RESISTOR	36K 5% 1/4W	
	R302	QRE141J-222Y	C RESISTOR	2.2K 5% 1/4W			R382	QRE141J-363Y	C RESISTOR	36K 5% 1/4W	
	R303	QRE141J-473Y	C RESISTOR	47K 5% 1/4W			R383	QRE141J-103Y	C RESISTOR	10K 5% 1/4W	
	R304	QRE141J-473Y	C RESISTOR	47K 5% 1/4W			R384	QRE141J-103Y	C RESISTOR	10K 5% 1/4W	
	R305	QRE141J-561Y	C RESISTOR	560 5% 1/4W			R385	QRE141J-104Y	C RESISTOR	100K 5% 1/4W	
	R306	QRE141J-561Y	C RESISTOR	560 5% 1/4W			R386	QRE141J-104Y	C RESISTOR	100K 5% 1/4W	
	R307	QRE141J-393Y	C RESISTOR	39K 5% 1/4W			▲ R391	QRJ146J-220X	UNF C.RES 1/M	22 5% 1/4W	
	R308	QRE141J-393Y	C RESISTOR	39K 5% 1/4W			R392	QRE141J-102Y	C RESISTOR	1.0K 5% 1/4W	
	R309	QRE141J-474Y	C RESISTOR	470K 5% 1/4W			▲ R395	QRJ146J-BR2X	UNF C.RES 1/M	8.2 5% 1/4W	
	R310	QRE141J-474Y	C RESISTOR	470K 5% 1/4W			CN121	QGB2501J1-12	CONNECTOR		
	R311	QRE141J-104Y	C RESISTOR	100K 5% 1/4W			CN122	QGB2501J1-04	CONNECTOR		
	R312	QRE141J-104Y	C RESISTOR	100K 5% 1/4W			CN301	QGB2510K1-15	CONNECTOR		
▲	R313	QRJ146J-391X	UNF C.RES 1/M	390 5% 1/4W			CN311	QGB2510J1-15	CONNECTOR		
▲	R314	QRJ146J-391X	UNF C.RES 1/M	390 5% 1/4W			CN314	QGF1205C1-29	CONNECTOR		
	R321	QRE141J-271Y	C RESISTOR	270 5% 1/4W			CN414	QGA2001C1-04	4P PLUG ASSY	RDS	
	R322	QRE141J-271Y	C RESISTOR	270 5% 1/4W			CN512	QGA2001C1-03	3P PLUG ASSY		
	R323	QRE141J-102Y	C RESISTOR	1.0K 5% 1/4W			CN603	QGB2510K1-07	CONNECTOR		
	R325	QRE141J-471Y	C RESISTOR	470 5% 1/4W			CN604	QGB2510K1-07	CONNECTOR		
	R326	QRE141J-471Y	C RESISTOR	470 5% 1/4W			CN608	QGB2510K1-04	CONNECTOR		
	R327	QRE141J-471Y	C RESISTOR	470 5% 1/4W			CN609	QJP010-033601	SHI CR C-B WIRE		
	R328	QRE141J-471Y	C RESISTOR	470 5% 1/4W			CN611	QGB2510J1-08	CONNECTOR		
	R329	QRE141J-471Y	C RESISTOR	470 5% 1/4W			CN612	QGB2510J1-09	CONNECTOR		
	R330	QRE141J-471Y	C RESISTOR	470 5% 1/4W			CN613	QGB2510J1-07	CONNECTOR		
	R331	QRE141J-471Y	C RESISTOR	470 5% 1/4W			CN614	QGB2510J1-07	CONNECTOR		
	R332	QRE141J-471Y	C RESISTOR	470 5% 1/4W			CN615	QGB2510J1-06	CONNECTOR		
	R333	QRE141J-471Y	C RESISTOR	470 5% 1/4W			CN616	QGB2510J1-04	CONNECTOR		
	R334	QRE141J-471Y	C RESISTOR	470 5% 1/4W			CN618	QGB2510J1-04	CONNECTOR		
	R335	QRE141J-471Y	C RESISTOR	470 5% 1/4W			CN619	QGA2001C1-03	3P PLUG ASSY		
	R336	QRE141J-471Y	C RESISTOR	470 5% 1/4W			CN702	QJP009-063601	SHI CR C-B WIRE		
	R337	QRE141J-102Y	C RESISTOR	1.0K 5% 1/4W			C1001	QETN1HM-475Z	E CAPACITOR	4.7MF 20% 50V	
	R341	QRE141J-104Y	C RESISTOR	100K 5% 1/4W			C1002	QETN1HM-475Z	E CAPACITOR	4.7MF 20% 50V	
	R342	QRE141J-104Y	C RESISTOR	100K 5% 1/4W			C1003	QETN1HM-475Z	E CAPACITOR	4.7MF 20% 50V	
	R343	QRE141J-104Y	C RESISTOR	100K 5% 1/4W			C1004	QETN1HM-475Z	E CAPACITOR	4.7MF 20% 50V	
	R344	QRE141J-104Y	C RESISTOR	100K 5% 1/4W			C1005	QETN1HM-474Z	E CAPACITOR	4.7MF 20% 50V	
	R345	QRE141J-511Y	C RESISTOR	510 5% 1/4W			C1006	QETN1HM-474Z	E CAPACITOR	4.7MF 20% 50V	
	R346	QRE141J-511Y	C RESISTOR	510 5% 1/4W			C1007	QFLC1HJ-223Z	M CAPACITOR	.022MF 5% 50V	
	R347	QRE141J-221Y	C RESISTOR	220 5% 1/4W			C1008	QFLC1HJ-223Z	M CAPACITOR	.022MF 5% 50V	
	R348	QRE141J-221Y	C RESISTOR	220 5% 1/4W			C1011	QDVB1EZ-223Y	C CAPACITOR		
	R349	QRE141J-103Y	C RESISTOR	10K 5% 1/4W			C1012	QDVB1EZ-223Y	C CAPACITOR		
	R350	QRE141J-103Y	C RESISTOR	10K 5% 1/4W			C1013	QCB1HK-101Y	C CAPACITOR	100PF 10% 50V	
▲	R351	QRJ146J-271X	UNF C.RES 1/M	270 5% 1/4W			C1014	QCB1HK-101Y	C CAPACITOR	100PF 10% 50V	
▲	R352	QRJ146J-271X	UNF C.RES 1/M	270 5% 1/4W			C1031	QETN1HM-475Z	E CAPACITOR	4.7MF 20% 50V	
	R353	QRE141J-153Y	C RESISTOR	15K 5% 1/4W			C1032	QETN1HM-475Z	E CAPACITOR	4.7MF 20% 50V	
	R354	QRE141J-153Y	C RESISTOR	15K 5% 1/4W			C1033	QETN1HM-475Z	E CAPACITOR	4.7MF 20% 50V	
	R355	QRE141J-103Y	C RESISTOR	10K 5% 1/4W			C1034	QETN1HM-475Z	E CAPACITOR	4.7MF 20% 50V	
	R356	QRE141J-103Y	C RESISTOR	10K 5% 1/4W			C1035	QETN1HM-475Z	E CAPACITOR	4.7MF 20% 50V	
	R357	QRE141J-102Y	C RESISTOR	1.0K 5% 1/4W			C1036	QETN1HM-475Z	E CAPACITOR	4.7MF 20% 50V	
▲	R361	QRJ146J-271X	UNF C.RES 1/M	270 5% 1/4W			C1038	QETN1HM-475Z	E CAPACITOR	4.7MF 20% 50V	
▲	R362	QRJ146J-271X	UNF C.RES 1/M	270 5% 1/4W			C1051	QETN1HM-475Z	E CAPACITOR	4.7MF 20% 50V	
	R363	QRE141J-432Y	C RESISTOR	4.3K 5% 1/4W			C1052	QETN1HM-475Z	E CAPACITOR	4.7MF 20% 50V	
	R364	QRE141J-562Y	C RESISTOR	5.6K 5% 1/4W			C1053	QETN1HM-475Z	E CAPACITOR	4.7MF 20% 50V	
	R365	QRE141J-102Y	C RESISTOR	1.0K 5% 1/4W			C1054	QETN1HM-475Z	E CAPACITOR	4.7MF 20% 50V	
	R366	QRE141J-102Y	C RESISTOR	1.0K 5% 1/4W			C1055	QETN1HM-475Z	E CAPACITOR	4.7MF 20% 50V	
	R367	QRE141J-104Y	C RESISTOR	100K 5% 1/4W			C1056	QETN1HM-475Z	E CAPACITOR	4.7MF 20% 50V	
	R368	QRE141J-104Y	C RESISTOR	100K 5% 1/4W			C1057	QETN1AM-107Z	E CAPACITOR	100MF 20% 10V	

■ Electrical parts list (AV Input / output board) Block No. 03

△	Item	Parts number	Parts name	Remarks	Area
	FL141	QQR0590-001	FILTER		
	FL142	QQR0590-001	FILTER		
	HL341	VYH7237-003	IC HOLDER		
	IC301	NJM4580DD	IC		
	IC311	BA15218N	IC		
	IC312	BA15218N	IC		
	IC313	BA15218N	IC		
	IC321	TC9164AN	IC		
	IC322	TC9162AN	IC		
	IC323	BU4066BC	IC		
	IC331	BA15218	IC		
	IC332	BA15218	IC		
	IC333	BA15218	IC		
	IC341	M62446FP-X	IC		
	IC351	BA15218N	IC		
	IC352	BA15218N	IC		
	R1001	QRE141J-103Y	C RESISTOR	10K 5% 1/4W	
	R1002	QRE141J-103Y	C RESISTOR	10K 5% 1/4W	
	R1003	QRE141J-154Y	C RESISTOR	150K 5% 1/4W	
	R1004	QRE141J-154Y	C RESISTOR	150K 5% 1/4W	
	R1005	QRE141J-102Y	C RESISTOR	1.0K 5% 1/4W	
	R1006	QRE141J-102Y	C RESISTOR	1.0K 5% 1/4W	
	R1007	QRE141J-103Y	C RESISTOR	10K 5% 1/4W	
	R1008	QRE141J-103Y	C RESISTOR	10K 5% 1/4W	
	R1009	QRE141J-103Y	C RESISTOR	10K 5% 1/4W	
	R1010	QRE141J-103Y	C RESISTOR	10K 5% 1/4W	
	R1011	QRE141J-103Y	C RESISTOR	10K 5% 1/4W	
	R1012	QRE141J-103Y	C RESISTOR	10K 5% 1/4W	
	R1013	QRE141J-103Y	C RESISTOR	10K 5% 1/4W	
	R1014	QRE141J-103Y	C RESISTOR	10K 5% 1/4W	
	R1015	QRE141J-272Y	C RESISTOR	2.7K 5% 1/4W	
	R1016	QRE141J-272Y	C RESISTOR	2.7K 5% 1/4W	
	R1017	QRE141J-472Y	C RESISTOR	4.7K 5% 1/4W	
	R1018	QRE141J-472Y	C RESISTOR	4.7K 5% 1/4W	
	R1019	QRE141J-513Y	C RESISTOR	51K 5% 1/4W	
	R1020	QRE141J-513Y	C RESISTOR	51K 5% 1/4W	
△	R1021	QRZ9005-680X	F.RES I/M	68 1/0W	
△	R1022	QRZ9005-680X	F.RES I/M	68 1/0W	
	R1023	QRE141J-102Y	C RESISTOR	1.0K 5% 1/4W	
	R1024	QRE141J-103Y	C RESISTOR	10K 5% 1/4W	
	R1025	QRE141J-103Y	C RESISTOR	10K 5% 1/4W	
	R1031	QRE141J-104Y	C RESISTOR	100K 5% 1/4W	
	R1032	QRE141J-104Y	C RESISTOR	100K 5% 1/4W	
	R1033	QRE141J-104Y	C RESISTOR	100K 5% 1/4W	
	R1034	QRE141J-104Y	C RESISTOR	100K 5% 1/4W	
	R1035	QRE141J-104Y	C RESISTOR	100K 5% 1/4W	
	R1036	QRE141J-104Y	C RESISTOR	100K 5% 1/4W	
	R1037	QRE141J-102Y	C RESISTOR	1.0K 5% 1/4W	
	R1038	QRE141J-102Y	C RESISTOR	1.0K 5% 1/4W	
	R1039	QRE141J-103Y	C RESISTOR	10K 5% 1/4W	
	R1040	QRE141J-103Y	C RESISTOR	10K 5% 1/4W	
	R1041	QRE141J-103Y	C RESISTOR	10K 5% 1/4W	
	R1042	QRE141J-273Y	C RESISTOR	27K 5% 1/4W	
	R1044	QRE141J-102Y	C RESISTOR	1.0K 5% 1/4W	
	R1045	QRE141J-102Y	C RESISTOR	1.0K 5% 1/4W	
	R1046	QRE141J-104Y	C RESISTOR	100K 5% 1/4W	
△	R1049	QRZ9005-680X	F.RES I/M	68 1/0W	
△	R1050	QRZ9005-680X	F.RES I/M	68 1/0W	
	R1051	QRE141J-104Y	C RESISTOR	100K 5% 1/4W	
	R1052	QRE141J-104Y	C RESISTOR	100K 5% 1/4W	
	R1053	QRE141J-104Y	C RESISTOR	100K 5% 1/4W	
	R1054	QRE141J-104Y	C RESISTOR	100K 5% 1/4W	
	R1055	QRE141J-104Y	C RESISTOR	100K 5% 1/4W	

△	Item	Parts number	Parts name	Remarks	Area
	R1056	QRE141J-104Y	C RESISTOR	100K 5% 1/4W	
	R1057	QRE141J-102Y	C RESISTOR	1.0K 5% 1/4W	
	R1058	QRE141J-102Y	C RESISTOR	1.0K 5% 1/4W	
	R1059	QRE141J-103Y	C RESISTOR	10K 5% 1/4W	
	R1060	QRE141J-103Y	C RESISTOR	10K 5% 1/4W	
	R1061	QRE141J-102Y	C RESISTOR	1.0K 5% 1/4W	
	R1062	QRE141J-104Y	C RESISTOR	100K 5% 1/4W	
	R1063	QRE141J-104Y	C RESISTOR	100K 5% 1/4W	
	R1064	QRE141J-104Y	C RESISTOR	100K 5% 1/4W	
	R1065	QRE141J-102Y	C RESISTOR	1.0K 5% 1/4W	
△	R1071	QRZ9005-100X	F.RES I/M	10 1/0W	
△	R1072	QRJ146J-222X	UNF C.RES I/M	2.2K 5% 1/4W	
△	R1073	QRZ9005-100X	F.RES I/M	10 1/0W	
△	R1074	QRJ146J-222X	UNF C.RES I/M	2.2K 5% 1/4W	
△	R1075	QRZ9005-100X	F.RES I/M	10 1/0W	
△	R1076	QRJ146J-102X	UNF C.RES I/M	1.0K 5% 1/4W	

■ Electrical parts list (Tuner board)

Block No. 04

△	Item	Parts number	Parts name	Remarks	Area
	AT101	QNB0014-001	ANT TERMINAL		
	C 101	NCB21HK-103X	C CAPACITOR		
	C 103	NCB21HK-223X	C CAPACITOR		
	C 105	NCB21HK-223X	C CAPACITOR		
	C 107	QEK1CM-226Z	E CAPACITOR	22MF 20% 16V	
	C 111	NCB21HK-473X	C CAPACITOR		
	C 112	NDC21HJ-120X	C CAPACITOR		
	C 113	QCSB1HJ-120Y	C CAPACITOR	12PF 5% 50V	
	C 121	NDC21HJ-120X	C CAPACITOR		
	C 122	NDC21HJ-120X	C CAPACITOR		
	C 123	NCB21HK-473X	C CAPACITOR		
	C 126	NCS21HJ-101X	C CAPACITOR		
	C 128	QENC1HM-474Z	NP E.CAPA I.M	.47MF 20% 50V	
	C 129	NCB21HK-102X	C CAPACITOR		
	C 130	QEK1AM-107Z	E.CAPACITOR	100MF 20% 10V	
	C 133	QEK1CM-226Z	E CAPACITOR	22MF 20% 16V	
	C 134	NCB21HK-222X	C CAPACITOR		
	C 135	NCB21HK-223X	C CAPACITOR		
	C 136	QEK1HM-105Z	E.CAPACITOR	1.0MF 20% 50V	
	C 137	NCS21HJ-680X	C CAPACITOR		
	C 139	NCB21HK-393X	C CAPACITOR		
	C 140	NCB21HK-393X	C CAPACITOR		
	C 141	NCB21HK-473X	C CAPACITOR		
	C 143	NCB21HK-223X	C CAPACITOR		
	C 144	NCB21HK-473X	C CAPACITOR		
	C 146	QEK1HM-105Z	E.CAPACITOR	1.0MF 20% 50V	
	C 147	QEK1HM-105Z	E.CAPACITOR	1.0MF 20% 50V	
	C 148	QEK1HM-224Z	E.CAPA I.M	.22MF 20% 50V	
	C 149	QEK1HM-105Z	E.CAPACITOR	1.0MF 20% 50V	
	C 150	QEK1CM-226Z	E CAPACITOR	22MF 20% 16V	
	C 156	QDGB1HK-102Y	C CAPACITOR		
	C 157	NCB21HK-473X	C CAPACITOR		
	C 158	QEK1CM-226Z	E CAPACITOR	22MF 20% 16V	
	C 161	QEK41CM-106	E.CAPA I.M	10MF 20% 16V	
	C 162	QEK41CM-106	E.CAPA I.M	10MF 20% 16V	
	C 163	NCB21HK-223X	C CAPACITOR		
	C 164	NCB21HK-473X	C CAPACITOR		
	C 168	QEK1HM-105Z	E.CAPACITOR	1.0MF 20% 50V	
	C 184	QEK1CM-107Z	E.CAPACITOR	100MF 20% 16V	
	C 185	QEK41CM-106	E.CAPA I.M	10MF 20% 16V	
	C 186	QEK41CM-106	E.CAPA I.M	10MF 20% 16V	
	C 191	NCS21HJ-820X	C CAPACITOR		
	C 192	NCS21HJ-470X	C CAPACITOR		
	C 193	NCB21HK-561X	C CAPACITOR		
	C 194	NCB21HK-104X	C CAPACITOR		
	C 195	NCB21HK-331X	C.CAPA C.M		
	C 196	QEK1HM-225Z	E.CAPA I.M	2.2MF 20% 50V	
	C 197	NCB21HK-473X	C CAPACITOR		
	C 199	QEK41CM-106	E.CAPA I.M	10MF 20% 16V	
	CF101	QAX0285-001Z	C.FILTER		
	CF102	QAX0285-001Z	C.FILTER		
	CF103	QAX0519-001Z	C.FILTER		
	CN111	QGB2501K2-12	CONECTOR		
	CN112	QGB2501K1-04	CONNECTOR		
	D 121	1SS133-T2	SI DIODE		
	D 123	1SS133-T2	SI DIODE		
	D 129	1SS133-T2	SI DIODE		
	D 131	1SS133-T2	SI DIODE		
	IC102	LA1838	IC		
	IC121	LC72136N	IC		
	IC191	SAA6588	IC(RDS)		
	L 112	QQL231K-2R7Y	INDUCTOR		
	Q 102	2SC535/BC-T	TRANSISTOR		

△	Item	Parts number	Parts name	Remarks	Area
	Q 103	2SC461/BC-T	TRANSISTOR		
	Q 111	KTC3199/GL-T	TR I/M		
	Q 112	KTC3199/GL-T	TR I/M		
	Q 113	DTA114YKA-X	TRANSISTOR		
	Q 121	KRA103M-T	TRANSISTOR *		
	R 103	NRSA02J-101X	MG RESISTOR		
	R 104	NRSA02J-272X	MG RESISTOR		
	R 105	NRSA02J-391X	MG RESISTOR		
	R 106	NRSA02J-102X	MG RESISTOR		
	R 107	NRSA02J-561X	MG RESISTOR		
	R 108	NRSA02J-332X	MG RESISTOR		
	R 109	NRSA02J-221X	MG RESISTOR		
	R 111	NRSA02J-472X	MG RESISTOR		
	R 112	QRE141J-472Y	C RESISTOR	4.7K 5% 1/4W	
	R 114	NRSA02J-122X	MG RESISTOR		
	R 115	NRSA02J-104X	MG RESISTOR		
	R 119	NRSA02J-103X	MG RESISTOR		
	R 122	NRSA02J-472X	MG RESISTOR		
	R 124	NRSA02J-222X	MG RESISTOR		
	R 126	NRSA02J-562X	MG RESISTOR		
	R 127	NRSA02J-822X	MG RESISTOR		
	R 128	NRSA02J-472X	MG RESISTOR		
	R 129	NRSA02J-222X	MG RESISTOR		
△	R 130	QRZ9005-680X	F.RES I/M	68 1/0W	
	R 132	NRSA02J-393X	MG RESISTOR		
	R 133	NRSA02J-392X	MG RESISTOR		
	R 134	NRSA02J-102X	MG RESISTOR		
	R 140	NRSA02J-563X	MG RESISTOR		
	R 141	NRSA02J-102X	MG RESISTOR		
	R 142	NRSA02J-470X	MG RESISTOR		
	R 143	NRSA02J-562X	MG RESISTOR		
	R 144	NRSA02J-332X	MG RESISTOR		
	R 145	NRSA02J-103X	MG RESISTOR		
	R 146	NRSA02J-472X	MG RESISTOR		
	R 147	NRSA02J-332X	MG RESISTOR		
	R 150	NRSA02J-331X	MG RESISTOR		
	R 157	NRSA02J-272X	MG RESISTOR		
	R 158	NRSA02J-272X	MG RESISTOR		
	R 161	NRSA02J-102X	MG RESISTOR		
	R 162	NRSA02J-102X	MG RESISTOR		
	R 182	NRSA02J-103X	MG RESISTOR		
	R 183	NRSA02J-103X	MG RESISTOR		
	R 184	NRSA02J-103X	MG RESISTOR		
	R 191	NRSA02J-102X	MG RESISTOR		
	R 192	NRSA02J-474X	MG RESISTOR		
	R 193	NRSA02J-103X	MG RESISTOR		
	R 194	NRSA02J-103X	MG RESISTOR		
	RF101	QAU0119-001	FRONT END	FOR FTZ	
	T 111	QQR0871-001	COIL BLOCK		
	T 142	QQR0973-001	IFT		
	X 121	QAX0402-001	CRYSTAL		
	X 191	QAX0263-001Z	CRYSTAL		

■ Electrical parts list

(Rear Rch AMP & connection board)

Block No. 05

▲	Item	Parts number	Parts name	Remarks	Area
	CN501	QJK021-101304	C-B WIRE ASSY		
	CN502	QJP010-034001	SKT.WIRE ASSY		
	C1500	QDVB1EZ-223Y	C CAPACITOR		
	C1501	QEHR1HM-106Z	E.CAPA I.M	10MF 20% 50V	
	C1502	QCS31HJ-271Z	C CAPACITOR	270PF 5% 50V	
	C1503	QCS31HJ-331Z	C CAPACITOR	330PF 5% 50V	
	C1504	QCB31HK-152Z	C CAPACITOR	1500PF 10% 50V	
	C1507	QCS11HJ-100	C CAPACITOR	10PF 5% 50V	
	C1508	QEHR1VM-476Z	E.CAPA I.M	47MF 20% 35V	
	C1511	QEHR1HM-225Z	E.CAPA I.M	2.2MF 20% 50V	
	C1512	QFLC1HJ-103Z	M CAPACITOR	.010MF 5% 50V	
	C1513	QCS32HJ-330Z	C CAPACITOR	33PF 5% 500V	
	C1514	QEHR1HM-476Z	E.CAPA I.M	47MF 20% 50V	
	C1517	QEHR2AM-106Z	E.CAPA I.M	10MF 20% 100V	
	C1521	QCS32HJ-470Z	C CAPACITOR	47PF 5% 500V	
	C1522	QCS32HJ-470Z	C CAPACITOR	47PF 5% 500V	
	C1543	QFLC1HJ-473Z	M CAPACITOR	.047MF 5% 50V	
	C1544	QFLC1HJ-473Z	M CAPACITOR	.047MF 5% 50V	
	D1503	1SS133-T2	SI DIODE		
	D1511	1SS133-T2	SI DIODE		
	D1512	1SS133-T2	SI DIODE		
	D1531	1SS133-T2	SI DIODE		
	L1501	QQLZ005-R45	INDUCTOR		
	Q1501	2SC2240/L-T	TRANSISTOR		
	Q1502	2SC2240/L-T	TRANSISTOR		
	Q1503	2SA1038S/SE-T	TRANSISTOR		
	Q1509	2SA1038S/SE-T	TRANSISTOR		
	Q1511	2SC2389S/SE-T	TRANSISTOR		
	Q1512	2SA1038S/SE-T	TRANSISTOR		
	Q1540	2SD637/QR/	TRANSISTOR		
	R1501	QRE141J-222Y	C RESISTOR	2.2K 5% 1/4W	
	R1502	QRE141J-563Y	C RESISTOR	56K 5% 1/4W	
	R1503	QRE141J-302Y	C RESISTOR	3.0K 5% 1/4W	
	R1504	QRE141J-101Y	C RESISTOR	100 5% 1/4W	
	R1505	QRE141J-183Y	C RESISTOR	18K 5% 1/4W	
	R1507	QRE141J-563Y	C RESISTOR	56K 5% 1/4W	
	R1508	QRE141J-391Y	C RESISTOR	390 5% 1/4W	
▲	R1511	QRJ146J-331X	UNF.C.RES I/M	330 5% 1/4W	
	R1512	QRE141J-332Y	C RESISTOR	3.3K 5% 1/4W	
	R1513	QRE141J-332Y	C RESISTOR	3.3K 5% 1/4W	
	R1514	QRE141J-332Y	C RESISTOR	3.3K 5% 1/4W	
	R1515	QRE141J-332Y	C RESISTOR	3.3K 5% 1/4W	
▲	R1517	QRJ146J-100X	UNF.C RESISTOR	10 5% 1/4W	
▲	R1518	QRJ146J-100X	UNF.C RESISTOR	10 5% 1/4W	
▲	R1523	QRJ146J-100X	UNF.C RESISTOR	10 5% 1/4W	
▲	R1524	QRJ146J-100X	UNF.C RESISTOR	10 5% 1/4W	
▲	R1527	QRZ0196-R22	EMIT.RESISTOR	1/1W	
▲	R1528	QRJ125J-330	UNF.C.RES.	33 5% 1/2W	
	R1531	QRE141J-102Y	C RESISTOR	1.0K 5% 1/4W	
	R1532	QRE141J-183Y	C RESISTOR	18K 5% 1/4W	
	R1533	QRE141J-123Y	C RESISTOR	12K 5% 1/4W	
	R1541	QRE141J-471Y	C RESISTOR	470 5% 1/4W	
	R1542	QRE141J-361Y	C RESISTOR	360 5% 1/4W	
	R1543	QRE141J-181Y	C RESISTOR	180 5% 1/4W	
	R1544	QRE141J-181Y	C RESISTOR	180 5% 1/4W	
	R1545	QRE141J-101Y	C RESISTOR	100 5% 1/4W	
	R1546	QRE141J-101Y	C RESISTOR	100 5% 1/4W	
▲	R1547	QRL022J-100	UNF.OMF.RES.	10 5% 1/2W	
	R1549	QRE141J-102Y	C RESISTOR	1.0K 5% 1/4W	
▲	TH541	QAD0012-202	THERMISTOR		

Packing materials and accessories parts list

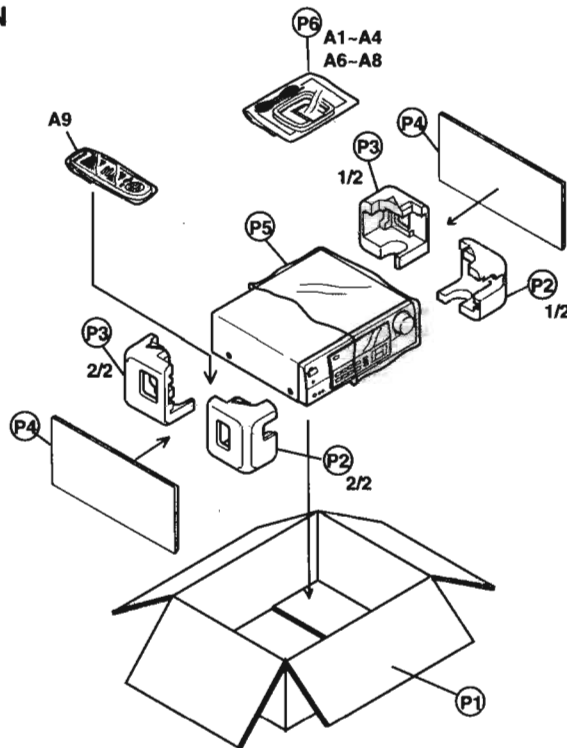
Block No.

M	2	M	M
---	---	---	---

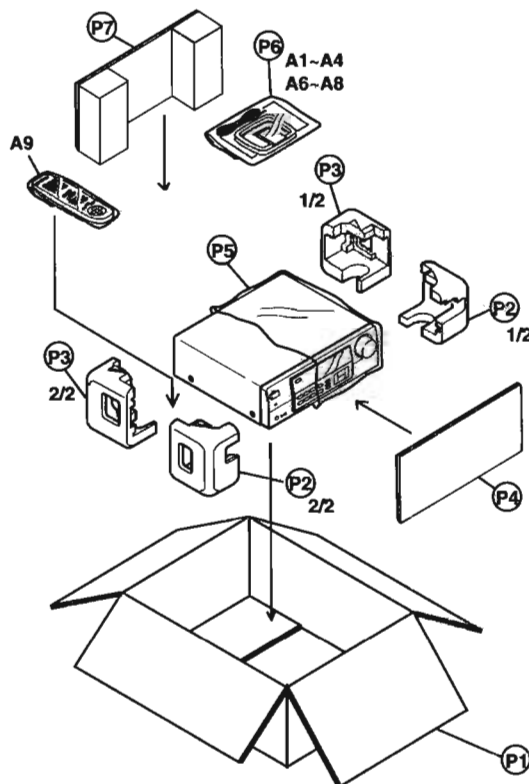
Block No.

M	3	M	M
---	---	---	---

Ver.E/EN



Ver.B



■ Packing parts list

Block No. M2MM

△	Item	Parts number	Parts name	Q'ty	Description	Area
	P 1	LV30044-0E3A	CARTON BOX	1		
		LV30044-0E2A	CARTON BOX	1		B
	P 2	LV20231-001A	PACKING PAD(F)	1		
	P 3	LV20232-001A	PACKING PAD(R)	1		
	P 4	LV32034-001A	SHEET	2		
		LV32034-002A	SHEET	1		B
	P 5	QPC06507015P	POLY BAG	1		
	P 6	QPA02503505P	POLY BAG	1		
	P 7	LV30385-003A	SHEET	1		B

■ Accessories parts list

Block No. M3MM

△	Item	Parts number	Parts name	Q'ty	Description	Area
	A 1	LVT0384-005A	INST.BOOK	1	SWE.FIN.DAN.GER.FRE.DUT	EN
		LVT0384-004A	INST.BOOK	1	ENG.GER.FRE.DUT.SPA.ITA	E
		LVT0384-003A	INST.BOOK	1	ENG	B
	A 2	BT-54008-2	WARRANTY CARD	1		
		BT-54013-1	WARRANTY CARD	1		E
	A 3	E43486-340A	BS=SAFETY INST	1		B
	A 4	VNA3000-202	REGIST.CARD	1		B
	A 6	EWP503-001C	ANT.WIRE	1		
	A 7	QAL0204-001	AM LOOP ANT	1		
	A 8	-----	BATTERY	1		
	A 9	RM-SR558RU	REMOCON	1		

RX-5000RBK

JVC

VICTOR COMPANY OF JAPAN, LIMITED
AUDIO & COMMUNICATION BUSINESS DIVISION
PERSONAL & MOBILE NETWORK B.U 10-1, 1Chome, Ohwatari-machi, Maebashi-city, 371-8543, Japan